

### ENGINE

Model	Case Family IV 667TA/EDJ Tier III Certified
Cylinders	6
Bore/Stroke	4.09 x 5.20 in (104 x 132 mm)
Displacement	409 in <sup>3</sup> (6.7 L)
Fuel injection	Direct common rail
Fuel	#2 Diesel
Fuel filter	Primary spin-on with in-line strainer
Air intake	Cross-flow
Cooling	Liquid
Engine speeds (rpm)	
High idle - no load	2300±50
Rated - full load	2200
Low idle	900-1100
Horsepower per SAE J1349	
Net	144 (107 kW) @ 2200 rpm
Gross	156 (116 kW) @ 2200 rpm
Peak torque @ 1400 rpm	
Net	493 lb-ft (669 N·m)
Gross	509 lb-ft (690 N·m)
Engine lubrication -	
Pump	Deep sump plate cooler with pressurized under-piston nozzles
Pump operating angle ratings	
Side-to-side	45°
Fore and aft	45°

### ENGINE COOLING

Radiator -	
Core size area	939 in <sup>2</sup> (0.61 m <sup>2</sup> )
Rows of tubes	4
Fan -	
Diameter	26.1 in (662 mm)
Ratio	1.1:1

### ELECTRICAL SYSTEM

Alternator	65 amp
Voltage	24 volt system
Battery	
(2) 12-volt low-maintenance 700 cold-cranking amps @ 0° F (-18 C)	

### POWERTRAIN

Dual path hydrostatic	
Pump - variable axial piston	
Motor - variable bent axis piston	
Maximum drawbar pull*	61,846 lb (275.1 kN)
Transmission	Single lever control - electronic straight tracking
Oil filter	2 micron, spin-on replaceable
Travel speeds* -	
Forward	0-6 mph (0-9.7 km/h)
Reverse	0-6 mph (0-9.7 km/h)
*Measured using standard track chain. Increase travel speeds by 4% and reduce drawbar pull by 4% with the optional CELT track chain.	
Parking brakes	Heavy-duty, spring-applied, hydraulic pressure release
Steering brakes	Hydrostatic
Final drive	2 helical gear reduction to planetary output
Ratio	61:1

### TRANSMISSION COOLING

Type	Oil to air
Core size	638 in <sup>2</sup> (4116 cm <sup>2</sup> )

### HYDRAULIC SYSTEM

Standard equipment pump	
Pump flow @ 2200 rpm @ 2830 psi (195 kPA)	34.9 gpm (132 L/min)

### CYLINDERS

Lift cylinder (2)	
Bore diameter	3.54 in (90 mm)
Rod diameter	1.97 in (50 mm)
Stroke	32.52 in (826 mm)
Angle cylinder (2)	
Bore diameter	3.94 in (100 mm)
Rod diameter	1.97 in (50 mm)
Stroke	20.04 in (509 mm)
Tilt cylinder (1)	
Bore diameter	4.92 in (125 mm)
Rod diameter	2.48 in (63 mm)
Stroke	5.31 in (135 mm)

### UNDERCARRIAGE

Track adjustment	Hydraulic
Frame	Oscillating equalizer beam suspension and pivot shaft
Length of track on ground	120 in (3.05 m)
Track link pitch -	
CLT track	7.5 in (190 mm)
CELT track	7.5 in (190 mm)
Track shoe height	2.19 in (56 mm)
Pin diameter	1.5 in (38 mm)
Bushing diameter -	
CLT track	2.56 in (65 mm)
CELT track	3.37 in (86 mm)
Track shoes per side -	
CLT track	45
CELT track	45
Track rollers per side	8
Carrier rollers per side	2
Track roller rail dia.	7.99 in (203 mm)

### AREA OF TRACK ON GROUND

Shoe	Area - in <sup>2</sup> (cm <sup>2</sup> )
22 in (558 mm)	5,284 (34 093)
24 in (610 mm)	5,767 (37 204)
28 in (711 mm)	6,721 (43 027)
34 in (864 mm)	8,168 (52 695)

### TRACK AND SHOE OPTIONS

Extra Long Track	
22 in (558 mm) closed grousers and CLT	
22 in (558 mm) open grousers and CELT	
24 in (610 mm) closed grousers and CLT	
24 in (610 mm) open grousers and CELT	
Wide Track	
22 in (558 mm) closed grousers and CLT	
22 in (558 mm) open grousers and CELT	
24 in (610 mm) closed grousers and CLT	
24 in (610 mm) open grousers and CELT	
28 in (711 mm) closed grousers and CLT	
28 in (711 mm) open grousers and CELT	
Low ground pressure	
34 in (864 mm) closed grousers and CLT	
34 in (864 mm) open grousers and CELT	

## OPERATOR ENVIRONMENT

ROPS canopy
Adjustable armrests
Foot rests
Retractable seat belt, 2 in (51 mm)
Vinyl suspension seat w/back adjustment
Headliner
Floormat
Mirror
Entire structure tilts for access

## INSTRUMENTATION

### Warning lights:

Air filter
Alternator
Diagnostic fault indicator
Engine coolant temperature
Engine oil pressure
Hydraulic filter
Low fuel level
Park brake engaged
Service soon indicator
Transmission filter
Transmission charge pressure

### Gauges:

Battery voltage
Digital hourmeter/tachometer/diagnostic/service reminder
Fuel level
Transmission oil temperature
Transmission speed indicator
Water temperature

### Audible warnings:

Engine coolant temperature
Engine oil pressure
Low fuel level
Transmission charge pressure
Transmission/hydraulic temperature

## BLADE

Blade pitch (adjustable)	50° - 60°
Cutting edge	Reversible and replaceable
Width	7.9 in (200 mm)
Thickness	0.8 in (20 mm)

## RIPPER

Max. penetration	19 in (483 mm)
Width	67.4 in (1711 mm)
Cut width	64.4 in (1635 mm)
Ground clearance (shanks in top position)	16.7 in (424 mm)
Points	Replaceable
Max. number of shanks	5
Tooth spacing – with 3 teeth	31 in (787 mm)
Hydraulic cylinder (double-acting)	
Diameter	4 in (102 mm)
Stroke	10 in (254 mm)
Rod	2 in (51 mm)

## SERVICE CAPACITIES

Fuel tank	65 gal (246 L)
Engine oil w/filter	16.5 qt (15.6 L)
Engine oil w/o filter	17.3 qt (16.4 L)
Engine cooling system	34 qt (32 L)
Cooling system – Cab w/heater and AC	34.3 qt (32.5 L)
Hydraulic reservoir	26 gal (98.4 L)
Final drive (per side)	15 qt (14.2 L)
Track rollers (ea.)	0.29 qt (0.275 L)
Front idlers (ea.)	0.225 qt (0.237 L)
Carrier rollers (ea.)	0.353 qt (0.334 L)

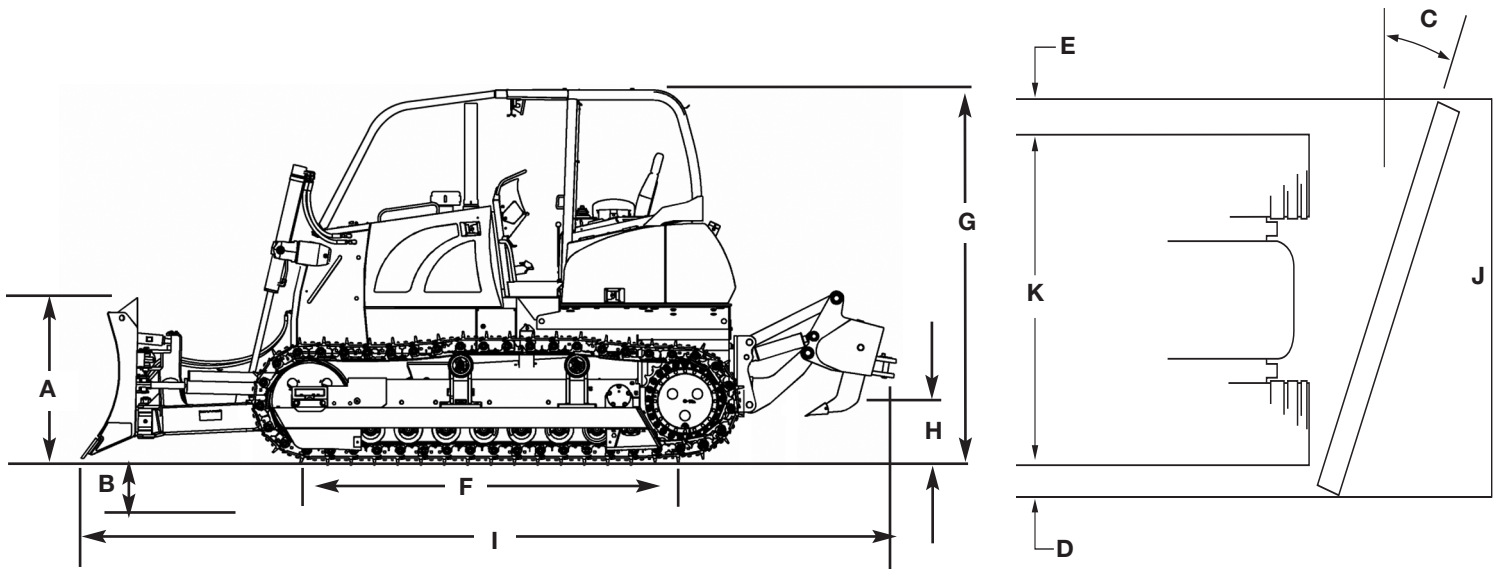
## OPERATING WEIGHTS

Operating weight includes ROPS, full fuel tank, 170 lb (77 kg) operator, rear retrieval hitch, track guides, back up alarm, horn and lights

Extra Long Track	35,203 lb (15 965 kg)
Wide Track	36,691 lb (16 640 kg)
LGP	37,578 lb (17 042 kg)

### Add-on weights –

Drawbar	146 lb (66 kg)
Ripper (5 shank)	2,988 lb (1355 kg)
Winch	5,513 lb (2500 kg)
Cab	2,051 lb (930 kg)
CELT chain	185 lb (84 kg)



## DIMENSIONS

	Extra Long Track (XLT)	Wide Track (WT)	Low Ground Pressure (LGP)
<b>BLADES</b>			
Blade width	126 in (3.20 m)	157 in (3.98 m)	157 in (3.98 m)
SAE blade capacity	4.12 yd <sup>3</sup> (3.1 m <sup>3</sup> )	4.12 yd <sup>3</sup> (3.1 m <sup>3</sup> )	4.2 yd <sup>3</sup> (3.2 m <sup>3</sup> )
<b>A.</b> Blade height	46.5 in (1181 mm)	39.4 in (1000 mm)	39.4 in (1000 mm)
<b>B.</b> Blade depth below ground	19.3 in (490 mm)	23.2 in (589 mm)	23.2 in (589 mm)
<b>C.</b> Blade angle both directions	25°	28°	28°
Blade tilt, each end (up to 8.3°)	17.7 in (449 mm)	21.7 in (551 mm)	21.7 in (551 mm)
Blade lift above ground	37.4 in (949 mm)	35.4 in (899 mm)	35.4 in (899 mm)
<b>D.</b> Cast reach	15.5 in (393.7 mm)	23.3 in (591 mm)	20.3 in (515 mm)
<b>E.</b> Cut reach	-2.8 in (-71 mm)	3.4 in (86 mm)	0.4 in (10 mm)
<b>TRACKS</b>			
Track gauge	74 in (1.87 m)	84 in (2.13 m)	84 in (2.13 m)
Max shoe width	24 in (610 mm)	28 in (711 mm)	34 in (864 mm)
<b>F.</b> Track on ground	120 in (3.04 m)	120 in (3.04 m)	120 in (3.04 m)
Area of track on ground	5767 in <sup>2</sup> (3.72 m <sup>2</sup> )	6721 in <sup>2</sup> (4.33 m <sup>2</sup> )	8168 in <sup>2</sup> (5.26 m <sup>2</sup> )
Ground pressure	6.2 psi (42.8 kPa)	5.62 psi (38.7 kPa)	4.63 psi (31.9 kPa)
<b>DIMENSIONS</b>			
<b>G.</b> Height to top of ROPS	9 ft 10 in (2.99 m)	9 ft 10 in (2.99 m)	9 ft 10 in (2.99 m)
Height to top of cab	9 ft 10 in (2.99 m)	9 ft 10 in (2.99 m)	9 ft 10 in (2.99 m)
<b>H.</b> Ground clearance	13.7 in (347 mm)	13.7 in (347 mm)	13.7 in (347 mm)
Length –			
<b>I.</b> Blade straight with drawbar	18 ft 7 in (5.66 m)	18 ft 7 in (5.66 m)	18 ft 7 in (5.66 m)
Blade straight with ripper	21 ft 9 in (6.62 m)	21 ft 9 in (6.62 m)	21 ft 9 in (6.62 m)
Width –			
Blade straight	10 ft 6 in (3.20 m)	13 ft 1 in (4.00 m)	13 ft 1 in (4.00 m)
<b>J.</b> Blade angled	9 ft 2 in (2.79 m)	11 ft 7 in (3.53 m)	11 ft 7 in (3.53 m)
<b>K.</b> Over track	98 in (2.48 m)	112 in (2.84 m)	118 in (2.99 m)

NOTE: Ground clearance and overall height dimensions are with the grousers fully penetrated. Add 52.5 mm (2.07 in) if unit is on solid surface.

## STANDARD EQUIPMENT

### OPERATOR'S COMPARTMENT

ROPS/FOPS canopy  
Vinyl suspension seat w/back adjustment  
Retractable seat belt, 2 in (51 mm)  
Adjustable armrests  
Foot rests  
Tool storage area  
Headliner  
Floor mat  
Entire structure tilts for access

### ENGINE

Case Family IV 667TA/EDJ  
Automatic fan belt tensioner  
Integral engine oil cooling  
Fuel filter  
Dual element radial seal air cleaner  
65 amp alternator  
(2) 700 CCA 12-volt batteries  
Anti-sandblast radiator  
Engine side panels

## OPTIONAL EQUIPMENT

### OPERATOR'S COMPARTMENT

Cab (w/heater, defroster, A/C, front windshield washer and lights)  
ROPS heater  
3 in (76 mm) seat belt  
Deluxe air suspension seat

### HYDRAULICS

4 spool hydraulic valve for field-installed ripper

### REAR MOUNTED EQUIPMENT

Ripper, 5 slot with 5 shanks

### POWERTRAIN

Dual path infinitely variable, single-lever controlled hydrostatic drive with electronic straight tracking & counter-rotation, 4-position forward/reverse ratio control  
Final drive – Triple reduction – helical gear/planetary decelerator with hydrostatic drive retardation  
Automatic spring applied parking brake

### BLADE

50° - 60° variable pitch with integral adjustment tool  
Single lever electro hydraulic control for blade lift, angle and tilt

### UNDERCARRIAGE

Hydraulic track adjusters  
Case Lubricated Track Chain  
Permanently lubricated track and carrier rollers and idlers  
Track adjuster guard  
Track guides (front and rear)

### OTHER

Backup alarm  
Horn  
Anti-vandalism package  
Mirror  
Pre-cleaner  
Lights - 2 front, 1 rear  
Rear transmission guard  
Front pull hook

### BLADES

126 in (3.20 m) XLT w/24 in (610 mm) shoes  
157 in (3.98 m) WT w/28 in (711 mm) shoes  
157 in (3.98 m) LGP w/34 in (864 mm) shoes

### GUARDS

ROPS canopy brush guard  
CAB canopy brush guard  
Center rockguard

### SCREENS

Rear ROPS and cab  
Side ROPS  
Radiator brush

### OTHER

Counterweight, front  
Drawbar, short  
Drawbar, long  
Rear retrieval hitch  
Environmental drains  
Turbine precleaner  
Rear wiper for cab  
Tool box for cab  
PTO equipment pump for winch drive  
Special paint  
Case Extended Life Track  
Grid heater  
Additional lights (2 front, 1 rear)

NOTE: All specifications are stated in accordance with SAE Standards or Recommended Practices, where applicable.

NOTE: All engines meet current EPA emissions requirements.

IMPORTANT: Case Construction Equipment Inc. reserves the right to change these specifications without notice and without incurring any obligation relating to such change. Case Construction Equipment Inc. does not warrant the safety or reliability of attachments from other manufacturers.

Case is a registered trademark of CNH America LLC. Any trademarks referred to herein, in association with goods and/or services of companies other than CNH America LLC, are the property of those respective companies.



[www.casece.com](http://www.casece.com)