

ENGINE

Model	Isuzu AM-4JJ1X Cooled EGR
Emissions Certification	Tier 4 Interim
Fuel	Requires ultra low-sulfur fuel B5 biodiesel tolerant
Type	Water-cooled, 4-cycle, high pressure common rail system Turbo-charged with air cooled intercooler, DPD system
Cylinders	4-cylinder in-line
Displacement	183 in ³ (3 L)
Bore/Stroke	4 x 4 in (95.4 x 104.9 mm)
Fuel injection	Direct injection – electronic
Fuel filter	Replaceable, full flow spin-on cartridge
Air filter	Dry type element w/ warning restriction indicator
Oil filter	Replaceable, full flow spin-on cartridge
Engine gradeability:	
Side-to-side	35°
Fore and aft	35°
Net horsepower – SAE J1349 @ 2200 RPM:	124 hp (92.2 kW)
Net max. torque – SAE J1349 @ 1800 RPM:	288 lbf-ft (391 N-m)
Cooling operating range:	109° to -13°F (43° to -25°C)
Oil	Requires low-ash oil CJ-4

DRIVETRAIN

Travel control	Dual stage relief/ counter balance design
Brakes	Mechanical disc
Service brakes	SAHR disc – each motor
Two speed travel:	
Max. high speed	3.4 mph (5.4 kph)
Max. low speed	1.7 mph (2.8 kph)
Automatic downshift	
Drawbar pull	36,194 lbf (161 kN)
Gradeability	70% – 35° slope

ELECTRICAL

Voltage	24 Volts
Alternator rating	50 amp
Batteries	2 x 12 Volt
Battery Reserve Capacity	92 Ah/5 hour
Work lights	24 Volt
1 boom	70 watt
1 upper	70 watt
2 cab	70 watt

OPERATOR ENVIRONMENT

Air conditioner output	18,100 BTU/hr
Heater output	20,150 BTU/hr
Sound level inside cab – ISO6395	70 dBA
Electrical outlet	12 Volt
Cab interior light	10 watt
Rear-view camera	Standard
Seat	Air-suspension

ATTACHMENT

Boom	16 ft 11 in (5 150 mm)
Arm	8 ft 7 in (2 620 mm)
Bucket digging force*	25,178 lbf (112 kN)
w/ Auto Power-Boost	26,527 lbf (118 kN)

*Digging force ratings based on ISO6015

OPERATING WEIGHT

Operating weight	36,300 lb (16 465 kg)
w/ shoes	2 ft 0 in (600 mm)
w/ boom	16 ft 11 in (5 150 m)
w/ arm	8 ft 7 in (2 620 m)
w/ bucket	1,067 lb (484 kg)
w/ counterweight	6,945 lb (3 150 kg)

NOTE: w/ operator/full fuel/standard equipment

GROUND PRESSURE

@ Standard operating weight	5.9 psi (0.41 bar)
w/ 23.6 in (600 mm) triple semi-grouser shoes	

HYDRAULICS

System design	Open center
Main pumps	Two variable displacement/ axial pistons
Max. rated flow	37.5 gpm (142 L/min)
System pressures:	
Boom, arm & bucket	4,975 psi (343 bar)
w/ Power Boost	5,265 psi (363 bar)
Travel circuits	4,975 psi (343 bar)
Swing circuits	4,047 psi (279 bar)
Pilot pump	1 x gear design
Max. capacity	5.3 gpm (20 L/min)
Controls	w/ boom/arm holding valve
Right track travel, bucket, boom and arm acceleration.	Four-spool section
Left track travel, bucket, boom and arm acceleration.	Five-spool section

HYDRAULICS (cont.)

Work mode selections	SP: Speed Priority H: Heavy Duty A: Automatic
Swing motor	Fixed displacement axial piston
Swing final drive	Planetary gear reduction
Travel motor	Two-speed independent travel/axial piston

HYDRAULIC CYLINDERS

Boom cylinders	Two (2)
Cylinder bore	4.5 in (115 mm)
Cylinder rod diameter	3.1 in (80 mm)
Cylinder stroke	46.4 in (1 179 mm)
Arm cylinder	One (1)
Cylinder bore	4.9 in (125 mm)
Cylinder rod diameter	3.5 in (90 mm)
Cylinder stroke	50.4 in (1 280 mm)
Bucket cylinder	One (1)
Cylinder bore	4.1 in (105 mm)
Cylinder rod diameter	3.0 in (75 mm)
Cylinder stroke	39.8 in (1 010 mm)

SERVICE CAPACITIES

Fuel tank	79 gal (300 L)
Hydraulic system	44 gal (165 L)
Hydraulic tank	24 gal (90 L)
Engine oil w/ filter	4 gal (17 L)
Swing drive	5.3 qt (5 L)
Final drive	6.1 qt (5.8 L)
Cooling system	4 gal (16.2 L)

OTHER SPECIFICATIONS

Swing speed	0 – 11.5 RPM
Swing torque	33,264 lb-ft (45,100 N-m)
Swing brake	Mechanical disc
Undercarriage:	
Length	13 ft 1 in (3 990 mm)
Track gauge	6 ft 6 in (1 990 mm)
Carrier rollers	2
Track rollers	7
Shoes – Triple grouser	44
Shoe width – std.	2 ft 0 in (600 mm)
Link pitch	8 in (190 mm)
Track:	
Chain	Grease lubricated/strutted
Guides	Single
Adjustment	Hydraulic

LIFT CAPACITIES WITH BUCKET

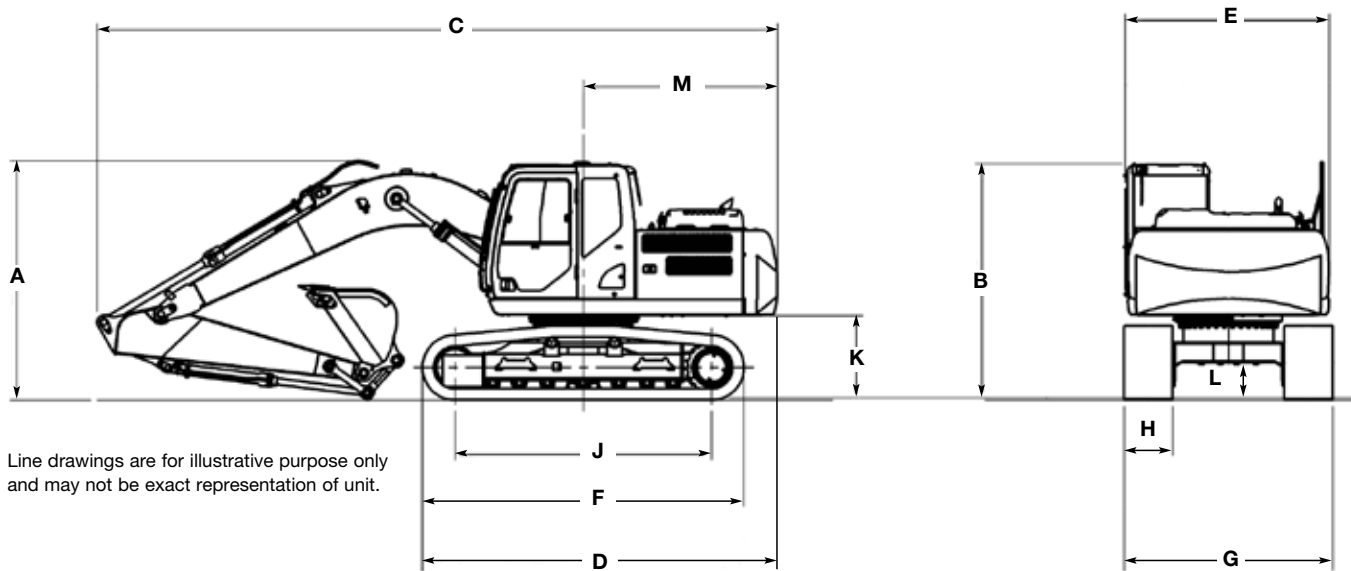
8 ft 7 in (2.62 m) Arm Lift capacities calculated using a 1,050 lb (476 kg) bucket, 6,943 lb (3 150 kg) counterweight.

Load (Lift Point Height)	5 ft (1.5 m)		10 ft (3 m)		15 ft (4.5 m)		20 ft (6 m)		25 ft (7.5 m)		MAXIMUM REACH		
	END	SIDE	END	SIDE	END	SIDE	END	SIDE	END	SIDE	@	END	SIDE
+25 ft (7.5 m)							5,150 lb (2 336 kg)	5,150 lb (2 336 kg)			21 ft 0 in (6.40 m)	3,650 lb (1 656 kg)	3,650 lb (1 656 kg)
+20 ft (6 m)							7,100 lb (3 221 kg)	7,100 lb (3 221 kg)			25 ft 0 in (7.62 m)	3,300 lb (1 497 kg)	3,300 lb (1 497 kg)
+15 ft (4.5 m)							9,200 lb (4 173 kg)	7,000 lb (3 175 kg)	6,750 lb (3 062 kg)	4,650 lb (2 109 kg)	27 ft 4 in (8.33 m)	3,200 lb (1 451 kg)	3,200 lb (1 451 kg)
+10 ft (3 m)			18,500 lb (8 391 kg)	18,500 lb (8 391 kg)	13,350 lb (6 055 kg)	10,450 lb (4 740 kg)	10,400 lb (4 717 kg)	6,600 lb (2 994 kg)	7,150 lb (3 243 kg)	4,500 lb (2 041 kg)	28 ft 5 in (8.66 m)	3,250 lb (1 474 kg)	3,250 lb (1 474 kg)
+5 ft (1.5 m)			21,350 lb (9 684 kg)	17,600 lb (7 983 kg)	15,900 lb (7 212 kg)	9,600 lb (4 354 kg)	9,950 lb (4 513 kg)	6,150 lb (2 790 kg)	6,950 lb (3 152 kg)	4,250 lb (1 928 kg)	28 ft 7 in (8.71 m)	3,450 lb (1 565 kg)	3,350 lb (1 520 kg)
Groundline			17,200 lb (7 802 kg)	16,250 lb (7 371 kg)	15,150 lb (6 872 kg)	8,950 lb (4 060 kg)	9,550 lb (4 332 kg)	5,800 lb (2 631 kg)	6,750 lb (3 062 kg)	4,100 lb (1 860 kg)	27 ft 8 in (8.43 m)	3,850 lb (1 746 kg)	3,450 lb (1 565 kg)
-5 ft (-1.5 m)	13,450 lb (6 101 kg)	13,450 lb (6 101 kg)	21,950 lb (9 956 kg)	16,450 lb (7 462 kg)	14,850 lb (6 736 kg)	8,700 lb (3 946 kg)	9,400 lb (4 264 kg)	5,650 lb (2 563 kg)	6,700 lb (3 039 kg)	4,050 lb (1 837 kg)	25 ft 10 in (7.87 m)	4,550 lb (2 064 kg)	3,850 lb (1 746 kg)
-10 ft (-3 m)	19,550 lb (8 868 kg)	19,550 lb (8 868 kg)	28,000 lb (12 701 kg)	16,750 lb (7 598 kg)	14,950 lb (6 781 kg)	8,800 lb (3 992 kg)	9,500 lb (4 309 kg)	5,800 lb (2 631 kg)			22 ft 8 in (6.91 m)	6,000 lb (2 722 kg)	4,750 lb (2 155 kg)
-15 ft (-4.5 m)	28,400 lb (12 882 kg)	28,400 lb (12 882 kg)	22,600 lb (10 251 kg)	17,400 lb (7 893 kg)	15,100 lb (6 849 kg)	9,350 lb (4 241 kg)					17 ft 10 in (5.44 m)	10,550 lb (4 785 kg)	7,000 lb (3 175 kg)

10 ft 0 in (3.04 m) Arm Lift capacities calculated using a 950 lb (431 kg) bucket, 6,943 lb (3 150 kg) counterweight.

Load (Lift Point Height)	0 ft (0 m)		5 ft (1.5 m)		10 ft (3 m)		15 ft (4.5 m)		20 ft (6 m)		25 ft (7.5 m)		MAXIMUM REACH		
	END	SIDE	END	SIDE	END	SIDE	END	SIDE	END	SIDE	END	SIDE	@	END	SIDE
+25 ft (7.5 m)									4,850 lb (2 200 kg)	4,850 lb (2 200 kg)			22 ft 7 in (6.88 m)	3,400 lb (1 542 kg)	3,400 lb (1 542 kg)
+20 ft (6 m)									6,550 lb (2 971 kg)	6,550 lb (2 971 kg)	4,800 lb (2 177 kg)	4,800 lb (2 177 kg)	26 ft 4 in (8.03 m)	3,100 lb (1 406 kg)	3,100 lb (1 406 kg)
+15 ft (4.5 m)									8,400 lb (3 810 kg)	7,150 lb (3 243 kg)	6,550 lb (2 971 kg)	4,750 lb (2 155 kg)	28 ft 6 in (8.69 m)	3,050 lb (1 383 kg)	3,050 lb (1 383 kg)
+10 ft (3 m)					16,350 lb (7 416 kg)	16,350 lb (7 416 kg)	12,200 lb (5 534 kg)	10,700 lb (4 853 kg)	10,150 lb (4 604 kg)	6,700 lb (3 039 kg)	7,250 lb (3 289 kg)	4,550 lb (2 064 kg)	29 ft 7 in (9.02 m)	3,150 lb (1 429 kg)	3,150 lb (1 429 kg)
+5 ft (1.5 m)					24,150 lb (10 954 kg)	18,150 lb (8 233 kg)	15,900 lb (7 212 kg)	9,750 lb (4 423 kg)	10,050 lb (4 559 kg)	6,250 lb (2 835 kg)	7,000 lb (3 175 kg)	4,300 lb (1 950 kg)	29 ft 8 in (9.04 m)	3,350 lb (1 520 kg)	3,150 lb (1 429 kg)
Groundline			7,250 lb (3 289 kg)	7,250 lb (3 289 kg)	19,350 lb (8 777 kg)	16,550 lb (7 507 kg)	15,200 lb (6 895 kg)	9,000 lb (4 082 kg)	9,600 lb (4 354 kg)	5,850 lb (2 654 kg)	6,750 lb (3 062 kg)	4,100 lb (1 860 kg)	28 ft 10 in (8.79 m)	3,750 lb (1 701 kg)	3,250 lb (1 474 kg)
-5 ft (-1.5 m)	10,300 lb (4 672 kg)	10,300 lb (4 672 kg)	12,700 lb (5 761 kg)	12,700 lb (5 761 kg)	22,000 lb (9 979 kg)	16,250 lb (7 371 kg)	14,800 lb (6 713 kg)	8,650 lb (3 924 kg)	9,350 lb (4 241 kg)	5,650 lb (2 563 kg)	6,650 lb (3 016 kg)	4,000 lb (1 814 kg)	27 ft 1 in (8.26 m)	4,450 lb (2 018 kg)	3,550 lb (1 610 kg)
-10 ft (-3 m)	13,750 lb (6 237 kg)	13,750 lb (6 237 kg)	17,950 lb (8 142 kg)	17,950 lb (8 142 kg)	28,850 lb (13 086 kg)	16,500 lb (7 484 kg)	14,800 lb (6 713 kg)	8,700 lb (3 946 kg)	9,400 lb (4 264 kg)	5,650 lb (2 563 kg)			24 ft 1 in (7.34 m)	5,800 lb (2 631 kg)	4,300 lb (1 950 kg)
-15 ft (-4.5 m)			28,300 lb (12 837 kg)	28,300 lb (12 837 kg)	24,650 lb (11 181 kg)	17,050 lb (7 734 kg)	15,100 lb (6 849 kg)	9,050 lb (4 105 kg)					19 ft 7 in (5.97 m)	9,300 lb (4 218 kg)	6,000 lb (2 722 kg)

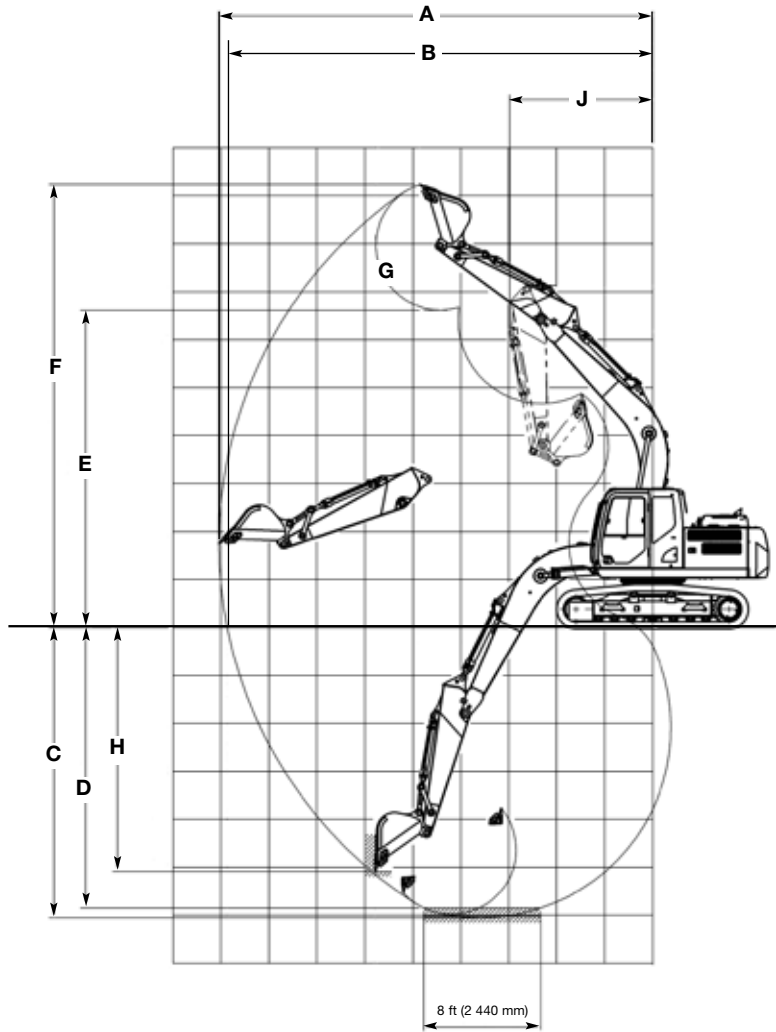
NOTE: *Lift capacities do not exceed 75% of the minimum tipping load or 87% of the hydraulic lift capacity.
Capacities that are marked with an asterisk are hydraulic limited.



DIMENSIONS

	8 ft 7 in (2.62 m) Arm	10 ft 0 in (3.04 m) Arm
A. Overall height – with attachment	9 ft 9 in (2 970 mm)	10 ft 3 in (3 130 m)
B. Cab height	9 ft 9 in (2 970 mm)	9 ft 9 in (2 970 m)
C. Overall length – with attachment	27 ft 8 in (8 440 mm)	27 ft 11 in (8 500 m)
D. Overall length – without attachment	14 ft 6 in (4 410 mm)	14 ft 6 in (4 410 m)
E. Width of upper structure	8 ft 4 in (2 540 mm)	8 ft 4 in (2 540 m)
F. Track overall length	13 ft 1 in (3 990 mm)	13 ft 1 in (3 990 m)
G. Track overall width with 23.6 in (600 mm) shoes	8 ft 6 in (2 590 mm)	8 ft 6 in (2 590 m)
H. Track shoe width	2 ft 0 in (600 mm)	2 ft 0 in (600 m)
J. Center to center – idler to sprocket	10 ft 6 in (3 190 mm)	10 ft 6 in (3 190 m)
K. Upper structure ground clearance	3 ft 4 in (1 020 mm)	3 ft 4 in (1 020 m)
L. Minimum ground clearance	1 ft 5 in (440 mm)	1 ft 5 in (440 m)
M. Rear tail swing radius	8 ft 0 in (2 450 mm)	8 ft 0 in (2 450 m)
Operating weight*	36,300 lb (16 465 kg)	36,459 lb (16 537 kg)
Ground pressure	5.9 psi (0.41 bar)	5.9 psi (0.41 bar)

NOTE: *With 23.6 in (600 mm) track shoe, 1,067 lb (484 kg) bucket, 165 lb (75 kg) operator, full fuel and standard equipment.



PERFORMANCE SPECS

	8 ft 7 in (2.62 m) Arm	10 ft 0 in (3.04 m) Arm
A. Maximum dig radius	30 ft 10 in (9 400 mm)	30 ft 9 in (9 380 mm)
B. Dig radius at groundline	29 ft 1 in (8 870 mm)	30 ft 3 in (9 220 mm)
C. Maximum dig depth	19 ft 11 in (6 060 mm)	21 ft 4 in (6 490 mm)
D. Dig depth – 8 ft 0 in (2.44 m) level bottom	19 ft 2 in (5 850 mm)	20 ft 8 in (6 290 mm)
E. Dump height	21 ft 8 in (6 610 mm)	21 ft 11 in (6 690 mm)
F. Maximum reach height	30 ft 4 in (9 240 mm)	30 ft 6 in (9 290 mm)
G. Bucket rotation	178°	178°
H. Maximum vertical wall dig depth	16 ft 8 in (5 080 mm)	17 ft 2 in (5 220 mm)
J. Minimum swing radius	9 ft 10 in (2 990 mm)	10 ft 0 in (3 050 mm)
Arm digging force:		
Standard	17,760 lb (79 kN)	16,186 lb (72 kN)
Power Boost	18,884 lb (84 kN)	17,310 lb (77 kN)
Bucket digging force:		
Standard	25,179 lb (112 kN)	25,179 lb (112 kN)
Power Boost	26,528 lb (118 kN)	26,528 lb (118 kN)

NOTE: *Machine equipped with Standard Boom.

STANDARD EQUIPMENT

ENGINE

Isuzu four-cylinder turbo-charged diesel
Certified Tier 4 Interim (CEGR)
Electronic fuel injection
High pressure common rail system
Diesel Particulate Defuser System (DPD)
Neutral safety start
Auto-engine warm up
Glow-plug pre-heat
EPF (Engine Protection Feature)
Dual-stage fuel filtration
Dual element air filter
Remote oil filter
Green plug oil drain
500-hour engine oil change interval
24-volt system
Requires CJ-4 engine oil
Requires ultra low-sulfur fuel

FUEL ECONOMY SYSTEMS

Engine Idle/Fuel Economy System:
Auto-idle
One-touch idle
Idle shut-down
BEC – boom economy control
AEC – auto economy control
SWC – swing relief control
SSC – spool stroke control

HYDRAULICS

Auto power boost
Auto swing priority
Auto travel speed change
Selectable work modes

HYDRAULICS (CONTINUED)

ISO pattern controls
Pre-set auxiliary pump settings
Auxiliary valve
Auxiliary pipe brackets
5000-hour hydraulic oil change interval
1000-hour hydraulic filter change interval
SAHR brake

UPPER STRUCTURE

Right and left side mirrors
Isolation mounted cab (fluid and spring)
Common key vandal locks
Upper mounted work light (70 watt)
Swivel guard belly pan

UNDERCARRIAGE

23.6 in (600 mm) steel shoes,
triple semi-grouser
Full overlap turntable bearing tub
Single track chain guides
Hydraulic track adjustment
X-pattern carbody

ATTACHMENT

Boom – 16 ft 11 in (5.15 m)
Arm – 8 ft 7 in (2.62 m)
Heavy-duty bucket linkage
Boom mounted work light (70 watt)
Auxiliary pipe brackets
Centralized grease fittings
Attachment cushion valve
Arm and boom regeneration

OPERATOR STATION

ROPS protection
FOPS cab top guard (Level 1)
Pressurized cab
One-touch lock front window
AC/heat/defrost w/ auto climate control
Color monitor (7 in / 180 mm)
Interior dome light
Air-suspension seat (cloth)
Seatbelt
Adjustable armrests
Tilting consoles – 4-position
Low-effort joystick controls
Sliding cockpit (7 in / 180 mm)
Controls pre-wired for auxiliary
Single padel travel
Straight travel
AM/FM radio w/ antenna and 2 speakers
Aux-in port for personal electronics
Rear-view camera
Anti-theft system (start code system)
Rubber floormat
12-volt electric outlet
24-volt cigarette lighter
External rearview mirrors
Cab mounted work lights (2 x 70 watt)
Windshield wiper / washer
Clear (polycarbonate) roof window w/ sunshade
Cup holder
Storage compartments
Warm/cool storage compartment
On-board diagnostic system
Travel alarm with cancel switch
One key start & lock-up

TELEMATICS

CASE SiteWatch™ Telematics – includes hardware and a 3-yr Advanced data subscription

OPTIONAL EQUIPMENT

HYDRAULIC

Auxiliary hydraulics:
Single acting / joystick activated
Double acting / joystick activated
Multi-function / joystick activated
Secondary low-flow / joystick activated

ATTACHMENT

Arm – 10 ft 0 in (3.05 m)
Coupler / Case multi-pin grabber
Buckets: Heavy duty / Extreme duty
Load holding control
Free swing (order kit through Service Parts)
Hose Burst Check Valve (HBCV)

OPERATOR STATION

Control pattern selector
FOPS cab top guard (Level 2)
Front grill guard – 2 x 2 screen mesh
Front rock guard – vertical bars (two piece) / OPG 1
Front rock guard – vertical bars (fixed / one piece) / OPG 2
Vandal guard
Rain deflector
Sun visor
Side-view camera

UPPER STRUCTURE

Refueling pump
Rubber bumper guard
(order through Service Parts)
High ambient temperature cooling package

UNDERCARRIAGE

27.6 in (700 mm) steel shoes,
triple semi-grouser
Track chain guides – triple

BUCKETS

Application	Width	SAE Heaped Capacity
Heavy-duty	18 in to 48 in (0.46 m to 1.22 m)	0.36 yd ³ to 1.12 yd ³ (0.28 m ³ to 0.86 m ³)
Heavy-duty High Capacity	18 in to 48 in (0.46 m to 1.22 m)	0.39 yd ³ to 1.28 yd ³ (0.30 m ³ to 0.98 m ³)
Heavy-duty Coupler	18 in to 48 in (0.46 m to 1.22 m)	0.36 yd ³ to 1.12 yd ³ (0.28 m ³ to 0.86 m ³)
Ditching	48 in or 60 in (1.22 m or 1.52 m)	0.79 yd ³ or 1.02 yd ³ (0.60 m ³ or 0.78 m ³)

This page intentionally left blank.



NOTE: All specifications are stated in accordance with SAE Standards or Recommended Practices, where applicable.

NOTE: All engines meet current EPA emissions requirements.

IMPORTANT: Case Construction Equipment Inc. reserves the right to change these specifications without notice and without incurring any obligation relating to such change. Case Construction Equipment Inc. does not warrant the safety or reliability of attachments from other manufacturers.

CASE is a trademark registered in the United States and many other countries, owned by or licensed to CNH Industrial N.V., its subsidiaries or affiliates. CNH Industrial Capital is a trademark in the United States and many other countries, owned by or licensed to CNH Industrial N.V., its subsidiaries or affiliates.



www.casece.com

