

ENGINE

Model	Isuzu AI-4HK1X, Tier 3 certified
Type	4-stroke, turbocharged
Cylinders	4
Displacement	317 in ³ (5193 cc)
Bore/Stroke	4.53 in x 4.92 in (115 x 125 mm)
Fuel injection	Direct
Fuel filter	In-line strainer
Air filter	Dry type element, w/warning restriction indicator
Engine oil	
Pump operating angles	
Side-to-side	Rated 35°
Fore and aft	Rated 35°
Oil filtration	Replaceable, full flow spin-on cartridge
Net horsepower per SAE J1349	153 hp (114.4 kW) @ 1800 rpm
Net maximum torque @ 1500 rpm	454 lbft (616 Nm)
Cooling	110° to 0°F (43° to -18°C) at 50% concentration

SERVICE CAPACITIES

Fuel tank	70 gal (265 L)
Hydraulic system	54.2 gal (205 L)
Hydraulic tank	31.7 gal (120 L)
Engine oil w/filter	24.4 qt (23 L)
Swing drive	5.3 qt (5.0 L)
Final drive (each side)	5.0 qt (4.7 L)
Cooling system	27.1 qt (25.6 L)

ELECTRICAL

Voltage	24 volts
Alternator rating	50 amp
Batteries	2 x 12-volt
CCA	920
Work lights	1 - 70 W boom 1 - 55 W upper

DOZER BLADE (if equipped)

Dozer blade width	9 ft 2 in (2.79 m)
Dozer blade height	2 ft 2 in (660 mm)

SWING MECHANISM

Swing speed	0-10.6 rpm
Swing torque	48,679 lbft (66 kNm)
Swing brake	Mechanical disc

UNDERCARRIAGE

Length	14 ft 8 in (4.46 m)
Track gauge - w/o dozer	7 ft 10 in (2.39 m)
- w/dozer	7 ft 3 in (2.20 m)
Dozer blade (option)	9 ft 2 in (2.80 m)
Number of rollers	
Carrier rollers	2 per side
Track rollers (no blade)	8 per side
Track rollers (w/blade)	7 per side
Shoes - no blade	49 (triple grouser)
Shoes - w/blade	46 (triple grouser)
Shoe width - no blade	31.5 in (800 mm)
Shoe width - w/blade	23.6 in (600 mm)
Link pitch	7.48 in (190 mm)
Track -	
Chain	Sealed, lubricated/strutted
Guides	Double
Adjustment	Hydraulic

GROUND PRESSURE

Triple semi-grouser shoes	
23.6 in (600 mm) (w/blade)	5.37 psi (.34 bar)
31.5 in (800 mm) (no blade)	6.82 psi (.47 bar)

HYDRAULICS

Main pumps	Two variable displacement / axial piston
Pilot pump	Gear
Maximum capacity	5.3 gpm (20 L/min)
Travel motor	Two-speed / axial piston design
Final drive	Planetary gear reduction
Swing motor	Fixed displacement axial piston
System pressures -	
Boom & arm	4,970 psi (343 bar)
Travel circuits	4,970 psi (343 bar)
Swing circuits	4,410 psi (304 bar)
Blade circuit	3,280 psi (226 bar)
Power Boost	5,410 psi (373 bar)
Controls -	
Travel/boom/arm/bucket/swing/auxilliary	Four-spool section
	Five-spool section
	One-spool section (blade)

HYDRAULIC CYLINDERS

Boom cylinder	Two (2)
Bore diameter	4.9 in (125 mm)
Rod diameter	3.5 in (90 mm)
Stroke	50.5 in (1284 mm)
Arm cylinder	One (1)
Bore diameter	5.3 in (135 mm)
Rod diameter	3.7 in (95 mm)
Stroke	58 in (1474 mm)
Bucket cylinder	One (1)
Bore diameter	4.5 in (115 mm)
Rod diameter	3.1 in (80 mm)
Stroke	39.8 in (1012 mm)
Blade cylinder	One (1)
Bore diameter	5.1 in (130 mm)
Rod diameter	3.1 in (80 mm)
Stroke	10.2 in (260 mm)

DRIVETRAIN

Travel control -	
Dual stage relief / counter balance design	
Brakes	Mechanical - disc type
Max. travel speed	1.9 - 3.1 mph (3.1 - 5.0 kph) Automatic downshift
Drawbar pull	42,039 lbf (187 kN)
Gradeability	70% (35°)

CAB AND CONTROLS

Air conditioner output	13,490 BTU/hr
Heater output	12,900 BTU/hr
Sound level (inside cab)	76 dBa
Electrical outlet	12 volt

ATTACHMENTS

Boom	18 ft 8 in (5.7 m)
Arm options	9 ft 10 in (3.0 m) 7 ft 10 in (2.4 m)
Digging force (ISO6015)	29,230 lbf (130 kN)
w/ Auto Power-Boost	31,700 lbf (141 kN)
* Digging force ratings based on ISO6015	

OPERATING WEIGHT

Operating weight	53,352 lb (24 200 kg)
w/ shoes	31.5 in (800 mm)
w/ boom	18 ft 8 in (5.7 m)
w/ arm	9 ft 10 in (3.0 m)
w/ bucket	1,540 lb (700 kg)
w/ counterweight	13,095 lb (5940 kg)
w/ dozer blade	53,793 lb (24 400 kg)
w/ operator, full fuel, standard equipment	

LIFT CAPACITIES

9 ft 10 in (3.00 m) Arm Lift capacities calculated using a 1,414 lb (641 kg) bucket, 12,904 lb (5853 kg) counterweight operating in "Standard" Mode.

Load (Lift Point) Height	10 ft (3.05 m)		15 ft (4.57 m)		20 ft (6.1 m)		25 ft (7.62 m)		MAXIMUM REACH		
	END	SIDE	END	SIDE	END	SIDE	END	SIDE	@	END	SIDE
+30 ft (9.14 m)									20 ft 0 in (6.10 m)	5,969 lb* (2708 kg)*	5,969 lb* (2708 kg)*
+25 ft (7.62 m)									25 ft 4 in (7.72 m)	5,269 lb* (2390 kg)*	5,269 lb* (2390 kg)*
+20 ft (6.1 m)					9,869 lb* (4477 kg)*	9,869 lb* (4477 kg)*			28 ft 7 in (8.71 m)	4,969 lb* (2254 kg)*	4,969 lb* (2254 kg)*
+15 ft (4.57 m)			12,419 lb* (5633 kg)*	12,419 lb* (5633 kg)*	10,869 lb* (4,930 kg)*	10,569 lb* (4794 kg)*	10,019 lb* (4545 kg)*	7,117 lb (3228 kg)	30 ft 6 in (9.30 m)	4,969 lb* (2254 kg)*	4,967 lb (2253 kg)
+10 ft (3.05 m)	23,519 lb* (10 668 kg)*	23,519 lb* (10 668 kg)*	15,769 lb* (7153 kg)*	15,617 lb (7084 kg)	12,469 lb* (5656 kg)*	10 017 lb (4543 kg)	10,669 lb* (4839 kg)*	6,867 lb (3115 kg)	31 ft 5 in (9.58 m)	5,119 lb* (2322 kg)*	4,567 lb (2071 kg)
+5 ft (1.52 m)	21,219 lb* (9625 kg)*	21,219 lb* (9625 kg)*	19,369 lb* (8786 kg)*	14,617 lb (6630 kg)	14,069 lb* (6382 kg)*	9,417 lb (4271 kg)	11,167 lb (5065 kg)	6,567 lb (2979 kg)	31 ft 5 in (9.58 m)	5,419 lb* (2458 kg)*	4,417 lb (2003 kg)
Ground- line	18,569 lb* (8423 kg)*	18,569 lb* (8423 kg)*	21,169 lb* (9602 kg)*	13,767 lb (6244 kg)	15,169 lb* (6881 kg)*	8,917 lb (4044 kg)	10,867 lb (4929 kg)	6,317 lb (2865 kg)	30 ft 5 in (9.27 m)	6,019 lb* (2730 kg)*	4,617 lb (2094 kg)
-5 ft (-1.52 m)	24,219 lb* (10 986 kg)*	24,219 lb* (10 986 kg)*	21,069 lb* (9557 kg)*	13,417 lb (6086 kg)	15,117 lb (6857 kg)	8,667 lb (3931 kg)	10,717 lb (4861 kg)	6,167 lb (2797 kg)	28 ft 6 in (8.69 m)	6,969 lb* (3161 kg)*	5,117 lb (2321 kg)
-10 ft (-3.05 m)	28,119 lb* (12 755 kg)*	26,669 lb* (12 097 kg)*	19,519 lb* (8854 kg)*	13,467 lb (6108 kg)	14,319 lb* (6495 kg)*	8,617 lb (3908 kg)	10,269 lb* (4658 kg)*	6,217 lb (2820 kg)	25 ft 2 in (7.67 m)	8,619 lb* (3910 kg)*	6,317 lb (2865 kg)
-15 ft (-4.57 m)	22,169 lb* (10 056 kg)*	22,169 lb* (10 056 kg)*	15,819 lb* (7175 kg)*	13,767 lb (6244 kg)*	10,969 lb* (4976 kg)*	8,917 lb (4044 kg)*			19 ft 9 in (6.02 m)	6,769 lb* (3070 kg)*	6,769 lb* (3070 kg)*

7 ft 10 in (2.40 m) Arm Lift capacities calculated using a 1,414 lb (641 kg) bucket, 12,904 lb (5853 kg) counterweight operating in "Standard" Mode.

Load (Lift Point) Height	10 ft (3.05 m)		15 ft (4.57 m)		20 ft (6.1 m)		25 ft (7.62 m)		MAXIMUM REACH		
	END	SIDE	END	SIDE	END	SIDE	END	SIDE	@	END	SIDE
+30 ft (9.14 m)									16 ft 9 in (5.11 m)	9,100 lb* (4128 kg)*	9,100 lb* (4128 kg)*
+25 ft (7.62 m)									23 ft 0 in (7.01 m)	7,850 lb* (3561 kg)*	7,850 lb* (3561 kg)*
+20 ft (6.1 m)			11,850 lb* (5375 kg)*	11,850 lb* (5375 kg)*	10,800 lb* (4899 kg)*	10,650 lb (4831 kg)		lb (kg)	26 ft 7 in (8.10 m)	7,450 lb* (3379 kg)*	6,500 lb (2948 kg)
+15 ft (4.57 m)	18,600 lb* (8437 kg)*	18,600 lb* (8437 kg)*	14,100 lb* (6396 kg)*	14,100 lb* (6396 kg)*	12,000 lb* (5443 kg)*	10,400 lb (4717 kg)	10,800 lb* (4899 kg)*	7,000 lb (3175 kg)	26 ft 8 in (8.13 m)	7,400 lb* (3357 kg)*	5,550 lb (2517 kg)
+10 ft (3.05 m)	22,500 lb* (10 206 kg)*	22,500 lb* (10 206 kg)*	17,350 lb* (7870 kg)*	15,550 lb (7053 kg)	13,400 lb* (6078 kg)*	9,900 lb (4491 kg)	11,350 lb (5148 kg)	6,850 lb (3107 kg)	29 ft 7 in (9.02 m)	7600 kg* (3447 kg)*	5,050 lb (2291 kg)
+5 ft (1.52 m)			20,650 lb* (9367 kg)*	14,400 lb (6532 kg)	14,800 lb* (6713 kg)*	9,350 lb (4241 kg)	11,150 lb (5058 kg)	6,550 lb (2971 kg)	29 ft 7 in (9.02 m)	8,100 lb* (3,674 kg)*	4,950 lb (2245 kg)
Ground- line	16,900 lb* (7666 kg)*	16,900 lb* (7666 kg)*	21,500 lb* (9752 kg)*	13,750 lb (6237 kg)	15,450 lb (7008 kg)	8,950 lb (4060 kg)	10,900 lb (4944 kg)	6,350 lb (2880 kg)	28 ft 7 in (8.71 m)	8,900 lb (4037 kg)	5,150 lb (2336 kg)
-5 ft (-1.52 m)	24,200 lb* (10 977 kg)*	24,200 lb* (10 977 kg)*	20,850 lb* (9457 kg)*	13,600 lb (6169 kg)	15,250 lb (6917 kg)	8,750 lb (3969 kg)	10,850 lb (4921 kg)	6,300 lb (2858 kg)	26 ft 5 in (8.05 m)	9,650 lb* (4377 kg)*	5,850 lb (2654 kg)
-10 ft (-3.05 m)	25,900 lb* (11 748 kg)*	25,900 lb* (11 748 kg)*	18,550 lb* (8414 kg)*	13,750 lb (6237 kg)	13,550 lb* (6146 kg)*	8,850 lb (4014 kg)			22 ft 10 in (6.96 m)	8,650 lb* (3924 kg)*	7,500 lb (3402 kg)
-15 ft (-4.57 m)	18,700 lb* (8482 kg)*	18,700 lb* (8482 kg)*	13,600 lb* (6169 kg)*	13,600 lb* (6169 kg)*							

*Lift capacities do not exceed 75% of the minimum tipping load or 87% of the hydraulic lift capacity. Capacities that are marked with an asterisk are hydraulic limited.

LIFT CAPACITIES

With dozer blade up – 9 ft 10 in (3.00 m) Arm *Lift capacities calculated using a 1,436 lb (651 kg) bucket, 12,904 lb (5853 kg) counterweight operating in "Standard" Mode.*

Load (Lift Point) Height	10 ft (3.05 m)		15 ft (4.57 m)		20 ft (6.1 m)		25 ft (7.62 m)		MAXIMUM REACH		
	END	SIDE	END	SIDE	END	SIDE	END	SIDE	@	END	SIDE
+30 ft (9.14 m)									20 ft 0 in (6.10 m)	5,950 lb* (2699 kg)*	5,950 lb* (2699 kg)*
+25 ft (7.62 m)									25 ft 4 in (7.72 m)	5,250 lb* (2381 kg)*	5,250 lb* (2381 kg)*
+20 ft (6.1 m)					10,950 lb* (4967 kg)*	10,000 lb (4536 kg)			28 ft 7 in (8.71 m)	4,950 lb* (2245 kg)*	4,950 lb* (2245 kg)*
+15 ft (4.57 m)			13,700 lb* (6214 kg)*	13,700 lb* (6214 kg)*	12,050 lb* (5466 kg)*	9,650 lb (4377 kg)	9,950 lb (4513 kg)	6,500 lb (2948 kg)	30 ft 6 in (9.30 m)	4,950 lb* (2245 kg)*	4,450 lb (2018 kg)
+10 ft (3.05 m)	25,900 lb* (11 748 kg)*	25,900 lb* (11 748 kg)*	17,400 lb* (7893 kg)*	14,500 lb (6577 kg)	13,800 lb* (6260 kg)*	9,100 lb (4128 kg)	9,700 lb (4400 kg)	6,250 lb (2835 kg)	31 ft 5 in (9.58 m)	5,100 lb* (2313 kg)*	4,050 lb (1837 kg)
+5 ft (1.52 m)	21,200 lb* (9616 kg)*	21,200 lb* (9616 kg)*	21,350 lb* (9684 kg)*	13,200 lb (5987 kg)	13,450 lb (6101 kg)	8,500 lb (3856 kg)	9,400 lb (4264 kg)	5,950 lb (2699 kg)	31 ft 5 in (9.58 m)	5,400 lb* (2449 kg)*	3,950 lb (1792 kg)
Ground- line	18,550 lb* (8414 kg)*	18,550 lb* (8414 kg)*	20,500 lb (9299 kg)	12,350 lb (5602 kg)	12,900 lb (5851 kg)	8,050 lb (3651 kg)	9,100 lb (4128 kg)	5,650 lb (2563 kg)	30 ft 5 in (9.27 m)	6,000 lb* (2722 kg)*	4,100 lb (1860 kg)
-5 ft (-1.52 m)	24,200 lb* (10 977 kg)*	22,700 lb (10 297 kg)	20,100 lb (9117 kg)	12,000 lb (5443 kg)	12,600 lb (5715 kg)	7,750 lb (3515 kg)	8,950 lb (4060 kg)	5,500 lb (2495 kg)	28 ft 6 in (8.69 m)	6,950 lb* (3152 kg)*	4,450 lb (2064 kg)
-10 ft (-3.05 m)	31,150 lb* (14 129 kg)*	23,750 lb (10 773 kg)	20,150 lb (9140 kg)	12,050 lb (5466 kg)	12,600 lb (5715 kg)	7,750 lb (3515 kg)	9,000 lb (4082 kg)	5,550 lb (2517 kg)	25 ft 2 in (7.67 m)	8,700 lb* (3946 kg)*	5,650 lb (2563 kg)
-15 ft (-4.57 m)	24,650 lb* (11 181 kg)*	23,900 lb* (10 841 kg)*	17,600 lb* (7983 kg)*	12,350 lb (5602 kg)	12,300 lb* (5579 kg)*	8,000 lb (3629 kg)			19 ft 9 in (6.02 m)	7,650 lb* (3470 kg)*	7,650 lb* (3470 kg)*

With dozer blade down – 9 ft 10 in (3.00 m) Arm *Lift capacities calculated using a 1,436 lb (651 kg) bucket, 12,904 lb (5853 kg) counterweight operating in "Standard" Mode.*

Load (Lift Point) Height	10 ft (3.05 m)		15 ft (4.57 m)		20 ft (6.1 m)		25 ft (7.62 m)		MAXIMUM REACH		
	END	SIDE	END	SIDE	END	SIDE	END	SIDE	@	END	SIDE
+30 ft (9.14 m)									20 ft 0 in (6.10 m)	5,950 lb* (2699 kg)*	5,950 lb* (2699 kg)*
+25 ft (7.62 m)									25 ft 4 in (7.72 m)	5,250 lb* (2381 kg)*	5,250 lb* (2381 kg)*
+20 ft (6.1 m)					10,950 lb* (4967 kg)*	10,000 lb (4536 kg)			28 ft 7 in (8.71 m)	4,950 lb* (2245 kg)*	4,950 lb* (2245 kg)*
+15 ft (4.57 m)			13,700 lb* (6214 kg)*	13,700 lb* (6214 kg)*	12,050 lb* (5466 kg)*	9,650 lb (4377 kg)	10,650 lb* (4831 kg)*	6,500 lb (2948 kg)	30 ft 6 in (9.30 m)	4,950 lb* (2245 kg)*	4,450 lb (2018 kg)
+10 ft (3.05 m)	25,900 lb* (11 748 kg)*	25,900 lb* (11 748 kg)*	17,400 lb* (7893 kg)*	14,500 lb (6577 kg)	13,800 lb* (6260 kg)*	9,100 lb (4128 kg)	11,900 lb* (5398 kg)*	6,250 lb (2835 kg)	31 ft 5 in (9.58 m)	5,100 lb* (2313 kg)*	4,050 lb (1837 kg)
+5 ft (1.52 m)	21,200 lb* (9616 kg)*	21,200 lb* (9616 kg)*	21,350 lb* (9684 kg)*	13,200 lb (5987 kg)	15,550 lb* (7053 kg)*	8,500 lb (3856 kg)	12,700 lb* (5761 kg)*	5,950 lb (2699 kg)	31 ft 5 in (9.58 m)	5,400 lb* (2449 kg)*	3,950 lb (1792 kg)
Ground- line	18,550 lb* (8414 kg)*	18,550 lb* (8414 kg)*	23,400 lb* (10 614 kg)*	12,350 lb (5602 kg)	16,850 lb* (7643 kg)*	8,050 lb (3651 kg)	13,200 lb* (5987 kg)*	5,650 lb (2563 kg)	30 ft 5 in (9.27 m)	6,000 lb* (2722 kg)*	4,100 lb (1860 kg)
-5 ft (-1.52 m)	24,200 lb* (10 977 kg)*	22,700 lb (10 297 kg)	23,300 lb* (10 569 kg)*	12,000 lb (5443 kg)	17,050 lb* (7734 kg)*	7,750 lb (3515 kg)	13,100 lb* (5942 kg)*	5,500 lb (2495 kg)	28 ft 6 in (8.69 m)	6,950 lb* (3152 kg)*	4,450 lb (2064 kg)
-10 ft (-3.05 m)	31,150 lb* (14 129 kg)*	23,750 lb (10 773 kg)	21,650 lb* (9820 kg)*	12,050 lb (5466 kg)	15,900 lb* (7212 kg)*	7,750 lb (3515 kg)	11,500 lb* (5216 kg)*	5,550 lb (2517 kg)	25 ft 2 in (7.67 m)	8,700 lb* (3946 kg)*	5,650 lb (2563 kg)
-15 ft (-4.57 m)	24,650 lb* (11 181 kg)*	23,900 lb* (10 841 kg)*	17,600 lb* (7983 kg)*	12,350 lb (5602 kg)	12,300 lb* (5579 kg)*	8,000 lb (3629 kg)			19 ft 9 in (6.02 m)	7,650 lb* (3470 kg)*	7,650 lb* (3470 kg)*

*Lift capacities do not exceed 75% of the minimum tipping load or 87% of the hydraulic lift capacity. Capacities that are marked with an asterisk are hydraulic limited.

LIFT CAPACITIES

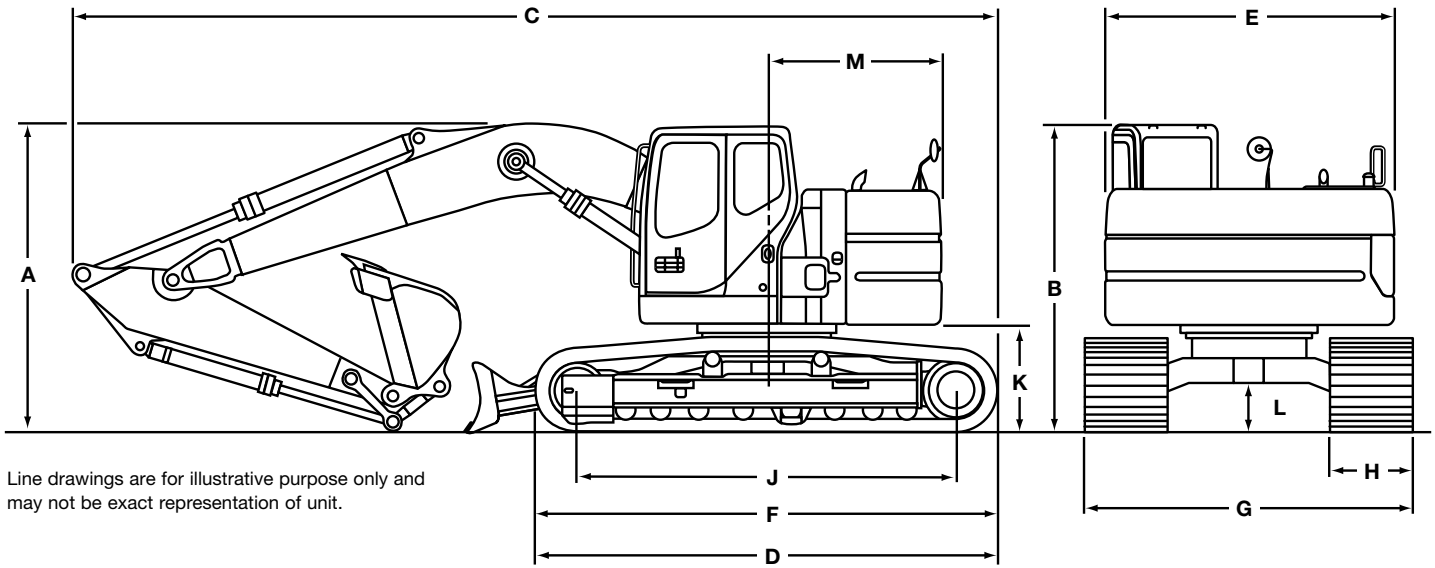
With dozer blade up – 7 ft 10 in (2.40 m) Arm *Lift capacities calculated using a 1,539 lb (698 kg) bucket, 12,904 lb (5853 kg) counterweight operating in "Standard" Mode.*

Load (Lift Point) Height	10 ft (3.05 m)		15 ft (4.57 m)		20 ft (6.1 m)		25 ft (7.62 m)		MAXIMUM REACH		
	END	SIDE	END	SIDE	END	SIDE	END	SIDE	@	END	SIDE
+30 ft (9.14 m)									16 ft 9 in (5.10 m)	9,100 lb* (4128 kg)*	9,100 lb* (4128 kg)*
+25 ft (7.62 m)									23 ft 0 in (7.01 m)	7,850 lb* (3561 kg)*	7,850 lb (3561 kg)
+20 ft (6.1 m)			13,100 lb* (5942 kg)*	13,100 lb* (5942 kg)*	10,800 lb* (4899 kg)*	9,750 lb (4423 kg)			26 ft 7 in (8.10 m)	7,450 lb* (3379 kg)*	5,900 lb (2676 kg)
+15 ft (4.57 m)	20,400, lb* (9253 kg)*	20,400, lb* (9253 kg)*	15,550 lb* (7053 kg)*	15,150 lb* (6872 kg)*	13,250 lb* (6010 kg)*	9,500 lb (4309 kg)	9,850 lb (4468 kg)	6,350 lb (2880 kg)	26 ft 8 in (8.13 m)	7,400 lb* (3357 kg)*	5,000 lb (2268 kg)
+10 ft (3.05 m)	22,500 lb* (10 206 kg)*	22,500 lb* (10 206 kg)*	19,200 lb* (8709 kg)*	14,100 lb (6396 kg)	13,350 lb (6328 kg)	9,000 lb (4082 kg)	9,650 lb (4377 kg)	6,200 lb (2812 kg)	29 ft 7 in (9.02 m)	7,250 lb (3289 kg)	4,550 lb (2064 kg)
+5 ft (1.52 m)			21,300 lb (9662 kg)	13,000 lb (5897 kg)	13,350 lb (6055 kg)	8,450 lb (3833 kg)	9,350 lb (4241 kg)	5,950 lb (2699 kg)	29 ft 7 in (9.02 m)	7,100 lb (3221 kg)	4,450 lb (2018 kg)
Ground- line	16,900 lb* (7666 kg)*	16,900 lb* (7666 kg)*	20,500 lb (9299 kg)	12,350 lb (5602 kg)	12,950 lb (5874 kg)	8,100 lb (3674 kg)	9,150 lb (4150 kg)	5,750 lb (2608 kg)	28 ft 7 in (8.71 m)	7,450 lb (3379 kg)	4,650 lb (2109 kg)
-5 ft (-1.52 m)	24,200 lb* (10 977 kg)*	23,100 lb (10 478 kg)	20,350 lb (9231 kg)	12,200 lb (5534 kg)	12,750 lb (5783 kg)	7,900 lb (3583 kg)	9,100 lb (4128 kg)	5,650 lb (2563 kg)	26 ft 5 in (8.05 m)	8,400 lb (3810 kg)	5,300 lb (2404 kg)
-10 ft (-3.05 m)	28,650 lb* (12 995 kg)*	24,400 lb (11 068 kg)	20,350 lb (9231 kg)	12,350 lb (5602 kg)	12,800 lb (5806 kg)	7,950 lb (3606 kg)			22 ft 10 in (6.96 m)	9,750 lb* (4423 kg)*	6,800 lb (3084 kg)
-15 ft (-4.57 m)	20,850 lb* (9457 kg)*	20,850 lb* (9457 kg)*	15,150 lb* (6872 kg)*	12,800 lb (5806 kg)							

With dozer blade down – 7 ft 10 in (2.40 m) Arm *Lift capacities calculated using a 1,539 lb (698 kg) bucket, 12,904 lb (5853 kg) counterweight operating in "Standard" Mode.*

Load (Lift Point) Height	10 ft (3.05 m)		15 ft (4.57 m)		20 ft (6.1 m)		25 ft (7.62 m)		MAXIMUM REACH		
	END	SIDE	END	SIDE	END	SIDE	END	SIDE	@	END	SIDE
+30 ft (9.14 m)									16 ft 9 in (5.10 m)	9,100 lb* (4128 kg)*	9,100 lb* (4128 kg)*
+25 ft (7.62 m)									23 ft 0 in (7.01 m)	7,850 lb* (3561 kg)*	7,850 lb (3561 kg)
+20 ft (6.1 m)			13,100 lb* (5942 kg)*	13,100 lb* (5942 kg)*	10,800 lb* (4899 kg)*	9,750 lb (4423 kg)			26 ft 7 in (8.10 m)	7,450 lb* (3379 kg)*	5,900 lb (2676 kg)
+15 ft (4.57 m)	20,400 lb* (9253 kg)*	20,400 lb* (9253 kg)*	15,550 lb (7053 kg)	15,150 lb (6872 kg)	13,250 lb* (6010 kg)*	9,500 lb (4309 kg)	10,800 lb* (4899 kg)*	6,350 lb (2880 kg)	26 ft 8 in (8.13 m)	7,400 lb* (3357 kg)*	5,000 lb (2268 kg)
+10 ft (3.05 m)	22,500 lb* (10 206 kg)*	22,500 lb* (10 206 kg)*	19,200 lb* (8709 kg)*	14,100 lb (6396 kg)	14,850 lb* (6736 kg)*	9,000 lb (4082 kg)	12,650 lb* (5738 kg)*	6,200 lb (2812 kg)	29 ft 7 in (9.02 m)	7,600 lb* (3447 kg)*	4,550 lb (2064 kg)
+5 ft (1.52 m)			22,850 lb* (10 365 kg)*	13,000 lb (5897 kg)	16,400 lb* (7439 kg)*	8,450 lb (3833 kg)	13,250 lb* (6010 kg)*	5,950 lb (2699 kg)	29 ft 7 in (9.02 m)	8,100 lb* (3674 kg)*	4,450 lb (2018 kg)
Ground- line	16,900 lb* (7666 kg)*	16,900 lb* (7666 kg)*	23,750 lb* (10 773 kg)*	12,350 lb (5602 kg)	17,250 lb* (7824 kg)*	8,100 lb (3674 kg)	13,450 lb* (6101 kg)*	5,750 lb (2608 kg)	28 ft 7 in (8.71 m)	8,900 lb* (4037 kg)*	4,650 lb (2109 kg)
-5 ft (-1.52 m)	24,200 lb* (10 977 kg)*	23,100 lb (10 478 kg)	23,100 lb* (10 478 kg)*	12,200 lb (5534 kg)	17,000 lb* (7711 kg)*	7,900 lb (3583 kg)	12,800 lb* (5806 kg)*	5,650 lb (2563 kg)	26 ft 5 in (8.05 m)	10,300 lb* (4672 kg)*	5,300 lb (2404 kg)
-10 ft (-3.05 m)	28,650 lb* (12 995 kg)*	24,400 lb (11 068 kg)	20,600 lb* (9344 kg)*	12,350 lb (5602 kg)	15,100 lb* (6849 kg)*	7,950 lb (3606 kg)			22 ft 10 in (6.96 m)	9,750 lb* (4423 kg)*	6,800 lb (3084 kg)
-15 ft (-4.57 m)	20,850 lb* (9457 kg)*	20,850 lb* (9457 kg)*	15,150 lb* (6872 kg)*	12,800 lb (5806 kg)							

*Lift capacities do not exceed 75% of the minimum tipping load or 87% of the hydraulic lift capacity. Capacities that are marked with an asterisk are hydraulic limited.



DIMENSIONS (machine **not** equipped with Dozer Blade)

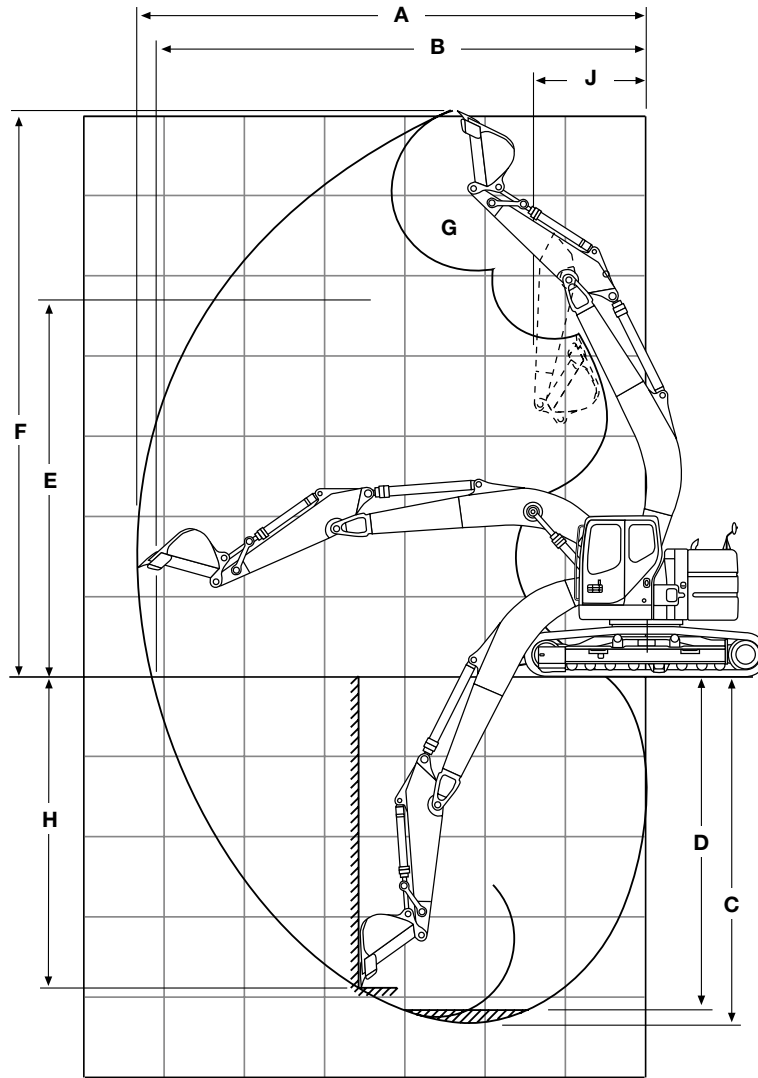
	9 ft 10 in (3.00 m) Arm	7 ft 10 in (2.40 m) Arm
A. Overall height (w/ attach.)	9 ft 9 in (2.97 m)	10 ft 4 in (3.14 m)
B. Cab height	9 ft 9 in (2.97 m)	9 ft 9 in (2.97 m)
C. Overall length (w/ attach.)	29 ft 0 in (8.85 m)	29 ft 4 in (8.93 m)
D. Overall length (w/o attachment)	14 ft 8 in (4.46 m)	14 ft 8 in (4.46 m)
E. Width of upperstructure	9 ft 2 in (2.80 m)	9 ft 2 in (2.80 m)
F. Track overall length	14 ft 8 in (4.46 m)	14 ft 8 in (4.46 m)
G. Track overall width w/31.5 in (800 mm) shoes	10 ft 6 in (3.19 m)	10 ft 6 in (3.19 m)
G. Track overall width w/23.6 in (600 mm) shoes	9 ft 10 in (2.99 m)	9 ft 10 in (2.99 m)
J. Center to center (idler to sprocket)	12 ft 0 in (3.66 m)	12 ft 0 in (3.66 m)
K. Upperstructure ground clearance	3 ft 4 in (1.02 m)	3 ft 4 in (1.02 m)
L. Minimum ground clearance	18 in (0.46 m)	18 in (0.46 m)
M. Rear tail swing radius	5 ft 8 in (1.72 m)	5 ft 8 in (1.72 m)
Operating weight*	51,809 lb (23 500 kg)	51,721 lb (23 460 kg)
Ground pressure	6.82 psi (0.47 bar)	6.82 psi (0.47 bar)

* With 31.5 in (800 mm) track shoe; 1,540 lb (700 kg) bucket; operator/full fuel/ standard equipment.

DIMENSIONS (machine **equipped** with Dozer Blade)

	9 ft 10 in (3.00 m) Arm	7 ft 10 in (2.40 m) Arm
A. Overall height (w/ attach.)	9 ft 9 in (2.97 m)	10 ft 4 in (3.14 m)
B. Cab height	9 ft 9 in (2.97 m)	9 ft 9 in (2.97 m)
C. Overall length (w/ attach.)	30 ft 4 in (9.25 m)	30 ft 7 in (9.33 m)
D. Overall length (w/o attachment)	15 ft 6 in (4.72 m)	15 ft 6 in (4.72 m)
E. Width of upperstructure	9 ft 2 in (2.80 m)	9 ft 2 in (2.80 m)
F. Track overall length w/ dozer blade	13 ft 9 in (4.18 m)	13 ft 9 in (4.18 m)
G. Track overall width w/23.6 in (600 mm) shoes	9 ft 2 in (2.80 m)	9 ft 2 in (2.80 m)
J. Center to center (idler to sprocket)	11 ft 1 in (3.37 m)	11 ft 1 in (3.37 m)
K. Upperstructure ground clearance	3 ft 4 in (1.02 m)	3 ft 4 in (1.02 m)
L. Minimum ground clearance	18 in (0.46 m)	18 in (0.46 m)
M. Rear tail swing radius	5 ft 8 in (1.72 m)	5 ft 8 in (1.72 m)
Operating weight*	53,260 lb (23 660 kg)	51,967 lb (23 572 kg)
Ground pressure	7.69 psi (0.53 bar)	7.69 psi (0.53 bar)

* With 31.5 in (800 mm) track shoe; 1,540 lb (700 kg) bucket; operator/full fuel/ standard equipment.



PERFORMANCE SPECS

	9 ft 10 in (3.00 m) Arm	7 ft 10 in (2.40 m) Arm
A. Maximum dig radius	32 ft 6 in (9.91 m)	30 ft 9 in (9.37 m)
B. Dig radius at groundline	31 ft 11 in (9.73 m)	30 ft 1 in (9.18 m)
C. Maximum dig depth	22 ft 0 in (6.70 m)	20 ft 0 in (6.10 m)
D. Dig depth - 8 ft 0 in (2.44 m) level bottom	21 ft 5 in (6.52 m)	19 ft 4 in (5.89 m)
E. Dump height	26 ft 4 in (8.02 m)	25 ft 0 in (7.63 m)
F. Overall reach height	35 ft 10 in (10.91 m)	34 ft 6 in (10.52 m)
G. Bucket rotation	177°	177°
H. Vertical straight wall dig depth	19 ft 11 in (6.06 m)	18 ft 0 in (5.48 m)
J. Minimum swing radius	7 ft 7 in (2.30 m)	8 ft 4 in (2.54 m)
Arm digging force		
Standard	21,357 lb (95.0 kN)	25,853 lb (115 kN)
Power Boost	23,380 lb (104.0 kN)	28,326 lb (126 kN)
Bucket digging force		
Standard	29,225 lb (130 kN)	29,225 lb (130 kN)
Power Boost	31,698 lb (141 kN)	31,698 lb (141 kN)

STANDARD EQUIPMENT

ENGINE

Isuzu four-cylinder turbo-charged diesel
 Tier-3 Certified
 Full electronic control
 Neutral safety start
 Auto-engine warm up
 Glow-plug pre-heat
 One-touch auto-idle
 Emergency engine stop
 Dual-stage fuel filtration
 Double element air filter
 Remote oil filter
 Green plug oil drain
 500-hour engine oil change interval

HYDRAULICS

Power boost (trigger activated)
 Auto swing priority
 Selectable work modes
 ISO pattern controls
 Pre-set auxiliary pump settings
 Auxiliary valve
 Auxiliary pipe brackets
 5,000-hour hydraulic oil change interval
 1,000-hour hydraulic filter change interval

UNDERCARRIAGE

27.6 in (700 mm) steel shoes, triple semi-grouser
 Hydraulic track adjustment
 SAHR brake

UPPERSTRUCTURE

Common key vandal locks
 Upper mounted work light (55 watt)
 Swivel guard belly pan

ATTACHMENTS

Boom - 18 ft 8 in (5.70 m)
 Arm - 9 ft 10 in (3.25 m)
 Boom mounted work light (70 watt)
 Auxiliary pipe brackets
 Centralized lube bank
 Bucket anti-clatter device
 Attachment cushion valve
 Arm and boom regeneration
 Arm and boom holding valves

OPERATOR STATION

Pressurized cab
 AC/heat/defrost w/ auto climate control
 Interior dome light
 Cloth covered air-suspension seat
 Adjustable armrests
 Tilting consoles - 4-position
 Seat belt
 Low-effort controls
 Controls pre-wired for auxiliary
 Single pedal travel
 AM/FM radio w/ antenna and 2-speakers
 Analog gauge package
 Anti-theft system
 Rubber floor mat
 12-volt electric outlet
 24-volt cigarette lighter
 Windshield wiper / washer
 Openable overhead hatch
 Cup holder
 Storage compartments
 On-board diagnostic system
 Travel alarm

OPTIONAL EQUIPMENT

HYDRAULICS

Auxiliary hydraulics
 Single acting / switch or pedal activated
 Thumb hydraulics / switch activated
 Multi-function / switch or pedal activated

ATTACHMENTS

Arm: 7 ft 10 in (2.4 m)
 Coupler / Case multi-pin grabber
 Buckets: Extreme / Heavy-duty / GP / ditching

OPERATOR STATION

Control pattern selector
 FOPS guard
 Front cab guard - vertical bars
 Vandal guard
 Rain deflector
 Sun visor

UNDERCARRIAGE

31.5 in (800 mm) steel shoes, triple semi-grouser
 23.6 in (600 mm) steel shoes, triple semi-grouser
 23.6 in (600 mm) rubber shoes (bolt-on pads)
 9 ft 2 in (2.8 m) dozer blade w/hydraulic control

BUCKETS

Application	Width	SAE Heaped Capacity
General purpose	24 in to 48 in (0.61 to 1.22 m)	0.65 yd ³ to 1.53 yd ³ (0.50 m ³ to 1.17 m ³)
Heavy-duty plate lip	24 in to 48 in (0.61 to 1.22 m)	0.64 yd ³ to 1.51 yd ³ (0.49 m ³ to 1.15 m ³)
Heavy-duty cast lip	24 in to 30 in (0.61 to 0.76 m)	0.55 yd ³ to 0.74 yd ³ (0.42 m ³ to 0.57 m ³)
Extreme-duty rate lip	24 in to 36 in (0.61 to 0.91 m)	0.58 yd ³ to 0.98 yd ³ (0.44 m ³ to 0.75 m ³)
Ditching	60 in to 66 in (1.52 to 1.68 m)	1.08 yd ³ to 1.20 yd ³ (0.83 m ³ to 0.92 m ³)

This page intentionally left blank.



NOTE: All specifications are stated in accordance with SAE Standards or Recommended Practices, where applicable.

NOTE: All engines meet current EPA emissions requirements.

IMPORTANT: Case Construction Equipment Inc. reserves the right to change these specifications without notice and without incurring any obligation relating to such change. Case Construction Equipment Inc. does not warrant the safety or reliability of attachments from other manufacturers.

Case is a registered trademark of CNH America LLC. Any trademarks referred to herein, in association with goods and/or services of companies other than CNH America LLC, are the property of those respective companies.



www.casece.com

