

## ENGINE

Model	Isuzu AL-6HK1X Tier 4 Interim Certified (Cooled EGR)	
Fuel	Requires ultra low-sulfur fuel B5 biodiesel tolerant	
Type	Water-cooled, 4-cycle, high pressure common rail system. Turbo-charged with air cooled intercooler, DPD system	
Cylinders	6-cylinder in-line	
Displacement	475 in <sup>3</sup> (7.8 L)	
Bore/stroke	4.53 x 4.92 in (115 x 125 mm)	
Fuel injection	Direct injection (electronic)	
Fuel filter	Replaceable, full flow spin-on cartridge	
Air filter	Dry type element w/ warning restriction indicator	
Oil filter	Replaceable, full flow spin-on cartridge	
Engine oil operating angle ratings		
Side-to-side	Rated 35°	
Fore and aft	Rated 35°	
Net horsepower—SAE J1349	207 hp (154 kW) @ 1800 RPM	
Net maximum torque—SAE J1349	670 lb-ft (909 N·m) @ 1500 RPM	
Cooling	110° to -13° F (43° to -25° C) at 55% concentration	
Oil	Requires low-ash oil (CJ-4)	

## SERVICE CAPACITIES

Fuel tank	119 gal (450 L)
Hydraulic system	79 gal (300 L)
Hydraulic tank	39 gal (147 L)
Engine oil w/ filter	10.3 gal (39 L)
Swing drive	8.3 qt (7.9 L)
Final drive (each side)	9.6 qt (9.1 L)
Cooling system	8.1 gal (30.8 L)

## ELECTRICAL

Voltage	24 Volts
Alternator rating	50 amp
Batteries	2 x 12 Volt
Battery reserve capacity	128 Ah / 5 hour
Work lights (2)	24 Volt / 70 watt (1 x boom; 1 x upper)

## SWING MECHANISM

Swing speed	0 - 10.0 RPM
Swing torque	68,200 lb-ft (92 400 N·m)
Swing brake	Mechanical disc

## UNDERCARRIAGE

Length	15 ft 11 in (4.85 m)
Track gauge	8 ft 6 in (2.6 m)
Carrier rollers	2 per side
Track rollers	9 per side
Shoes	
Triple grouser	50 per side
Shoe width (Std.)	31.5 in (800 mm)
Link pitch	8.0 in (203 mm)
Track	
Chain	Grease lubricated / struted
Guides	Double
Adjustment	Hydraulic

## GROUND PRESSURE

@ Standard operating weight	6.29 psi (0.43 bar)
w/ 31.5 in (800 mm) triple semi-grouser shoes	

## HYDRAULICS

System design	Open Center
Main pumps	Two variable displacement / axial piston
Max rated flow	2 x 64.2 gpm (2 x 243 L/min)
System pressures	
Boom, arm & bucket	4,970 psi (350 bar)
Boom, arm & bucket w/ power boost	5,410 psi (380 bar)
Travel circuits	4,970 psi (350 bar)
Swing circuits	4,260 psi (300 bar)
Pilot pump	1 x gear design
Max capacity	7.1 gpm (27 L/min)
Controls with boom/arm holding valve	
Right track travel, bucket, boom and arm acceleration.	Four-spool section
Left track travel, auxiliary, swing, boom acceleration	Five-spool section

Work Mode Selections	SP: Speed Priority H: Heavy Duty A: Automatic
----------------------	---

Swing motor	Fixed displacement axial piston
Swing final drive	Planetary gear reduction
Travel motor	Two-speed independent travel / axial piston

## HYDRAULIC CYLINDERS

Boom cylinder	Two (2)
Bore diameter	5.5 in (140 mm)
Rod diameter	3.7 in (95 mm)
Stroke	53.9 in (1369 mm)
Arm cylinder	One (1)
Bore diameter	5.9 in (150 mm)
Rod diameter	4.1 in (105 mm)
Stroke	61.8 in (1569 mm)
Bucket cylinder	One (1)
Bore diameter	5.3 in (135 mm)
Rod diameter	3.5 in (90 mm)
Stroke	42.4 in (1078 mm)

## DRIVETRAIN

Travel control	Dual stage relief / counter balance design Single pedal travel / straight travel
Brakes	Mechanical disc
Service brakes	SAHR disc (each motor)
Two speed travel	Automatic downshift
Max high speed	3.4 mph (5.4 kph)
Max low speed	2.0 mph (3.2 kph)
Drawbar pull	52,400 lbf (233 kN)
Gradeability	70% (35°)

## CAB AND CONTROLS

Air conditioner output	18,100 BTU/hr
Heater output	20,150 BTU/hr
Sound level—ISO6395 (inside cab)	70.5 dBa
Electrical outlet	12 Volt
Cab interior light (1)	10 watt
Rear-view camera (1)	Standard
Seat	Air-suspension

## ATTACHMENT

Boom	20 ft 2 in (6.15 m)
Arm options	10 ft 5 in (3.18 m) 8 ft 8 in (2.65 m) 12 ft 0 in (3.66 m)
Bucket digging force*	39,250 lbf (174.6 kN)
w/ Auto Power-Boost	42,760 lbf (190.2 kN)

\* Digging force ratings based on ISO6015

## OPERATING WEIGHT

Operating weight	65,900 lb (29 900 kg)
w/ shoes	31.5 in (800 mm)
w/ boom	20 ft 2 in (6.15 m)
w/ arm	10 ft 5 in (3.18 m)
w/ bucket	1,940 lb (880 kg)
w/ counterweight	11,700 lb (5300 kg)
w/ operator / full fuel / standard equipment	

# LIFT CAPACITIES

**10 ft 5 in (3.18 m) Arm** Lift capacities calculated using a 1,778 lb (806 kg) bucket, 11,700 lb (5300 kg) counterweight.

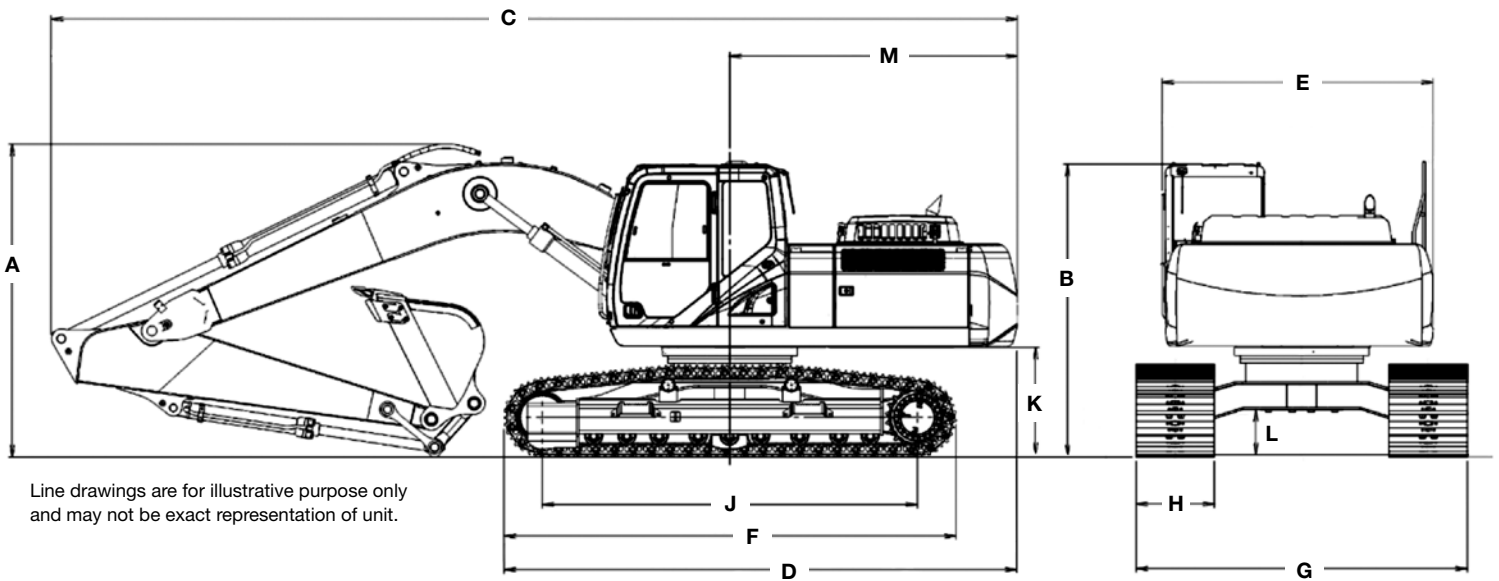
Load (Lift Point) Height	5 ft (1.5 m)		10 ft (3 m)		15 ft (4.5 m)		20 ft (6 m)		25 ft (7.5 m)		30 ft (9 m)		MAXIMUM REACH			
	END	SIDE	END	SIDE	END	SIDE	END	SIDE	END	SIDE	END	SIDE	@	END	SIDE	
+30 ft (9 m)													(7.41 m)	(3540 kg)*	(3540 kg)*	
+25 ft (7.5 m)										10,950 lbs* (4920 kg)*	10,950 lbs* (4920 kg)*		28.33 ft (8.72 m)	7,250 lbs* (3290 kg)*	7,250 lbs* (3290 kg)*	
+20 ft (6 m)										12,400 lbs* (5790 kg)*	12,350 lbs (5720 kg)	9,550 lbs* (4700 kg)*	8,850 lbs (4140 kg)	31.22 ft (9.56 m)	7,050 lbs* (3200 kg)*	7,050 lbs* (3200 kg)*
+15 ft (4.5 m)								17,550 lbs* (8090 kg)*	17,050 lbs (7900 kg)	15,750 lbs* (7260 kg)	12,000 lbs (5570 kg)	12,250 lbs* (5700 kg)*	8,700 lbs (4050 kg)	32.96 ft (10.07 m)	7,150 lbs* (3240 kg)*	7,150 lbs* (3240 kg)*
+10 ft (3 m)			39,550 lbs* (18 480 kg)*	39,550 lbs* (18 480 kg)*	27,800 lbs* (12 910 kg)*	25,850 lbs (12 000 kg)	21,100 lbs* (9750 kg)*	16,450 lbs (7640 kg)	17,450 lbs* (8090 kg)*	11,450 lbs (5330 kg)	13,000 lbs (6050 kg)	8,400 lbs (3920 kg)	33.77 ft (10.3 m)	7,400 lbs* (3370 kg)*	6,750 lbs (3060 kg)	
+5 ft (1.5 m)			17,100 lbs* (7720 kg)*	17,100 lbs* (7720 kg)*	33,500 lbs* (15 540 kg)*	24,000 lbs (11 150 kg)	24,050 lbs* (11 110 kg)*	15,500 lbs (7200 kg)	17,050 lbs (7920 kg)	10,950 lbs (5090 kg)	12,700 lbs (5900 kg)	8,150 lbs (3790 kg)	33.73 ft (10.28 m)	7,900 lbs* (3590 kg)*	6,650 lbs (3010 kg)	
Ground-line			18,750 lbs* (8280 kg)*	18,750 lbs* (8280 kg)*	35,750 lbs* (16 420 kg)*	22,700 lbs (10 550 kg)	23,600 lbs (10 990 kg)	14,750 lbs (6850 kg)	16,550 lbs (7700 kg)	10,550 lbs (4900 kg)	12,450 lbs (5780 kg)	7,900 lbs (3680 kg)	32.91 ft (10.03 m)	8,700 lbs* (3940 kg)*	6,800 lbs (3090 kg)	
-5 ft (-1.5 m)	18,400 lbs* (8220 kg)*	18,400 lbs* (8220 kg)*	24,550 lbs* (10 890 kg)*	24,550 lbs* (10 890 kg)*	35,900 lbs* (16 580 kg)*	22,300 lbs (10 370 kg)	23,150 lbs (10 780 kg)	14,350 lbs (6670 kg)	16,300 lbs (7570 kg)	10,300 lbs (4780 kg)	12,350 lbs (5730 kg)	7,800 lbs (3630 kg)	31.28 ft (9.54 m)	10,000 lbs* (4520 kg)*	7,350 lbs (3320 kg)	
-10 ft (-3 m)	23,700 lbs* (10 640 kg)*	23,700 lbs* (10 640 kg)*	32,850 lbs* (14 530 kg)*	32,850 lbs* (14 530 kg)*	34,300 lbs* (15 850 kg)*	22,450 lbs* (10 440 kg)*	23,150 lbs (10 780 kg)	14,400 lbs (6690 kg)	16,350 lbs (7590 kg)	10,350 lbs (4810 kg)			28.7 ft (8.78 m)	12,300 lbs* (5520 kg)*	8,400 lbs (3790 kg)	
-15 ft (-4.5 m)	32,000 lbs* (14 240 kg)*	32,000 lbs* (14 240 kg)*	42,450 lbs* (19 680 kg)*	42,450 lbs* (19 680 kg)*	30,050 lbs* (13 970 kg)*	22,950 lbs (10 660 kg)	22,250 lbs* (10 390 kg)	14,800 lbs (6860 kg)		(7530 kg)*	(4940 kg)		24.93 ft (7.66 m)	15,300 lbs* (6950 kg)*	10,550 lbs (4720 kg)	
-20 ft (-6 m)			29,550 lbs* (14 040 kg)*	29,550 lbs* (14 040 kg)*	21,400 lbs* (10 210 kg)*	21,400 lbs* (10 210 kg)*		(6860 kg)*	(6860 kg)*				19.39 ft (6.04 m)	14,350 lbs* (6570 kg)*	14,350 lbs* (6570 kg)*	

**8 ft 8 in (2.65 m) Arm** Lift capacities calculated using a 1,914 lb (868 kg) bucket, 11,700 lb (5300 kg) counterweight.

Load (Lift Point) Height	5 ft (1.5 m)		10 ft (3 m)		15 ft (4.5 m)		20 ft (6 m)		25 ft (7.5 m)		30 ft (9 m)		MAXIMUM REACH				
	END	SIDE	END	SIDE	END	SIDE	END	SIDE	END	SIDE	END	SIDE	@	END	SIDE		
+25 ft (7.5 m)										12,150 lbs* (5820 kg)*	12,150 lbs* (5740 kg)*			26.48 ft (8.16 m)	9,350 lbs* (4210 kg)*	9,350 lbs* (4210 kg)*	
+20 ft (6 m)								16,900 lbs*	16,900 lbs*	14,650 lbs* (6740 kg)*	12,150 lbs (5660 kg)			29.59 ft (9.06 m)	9,000 lbs* (4090 kg)*	8,900 lbs (3990 kg)	
+15 ft (4.5 m)							19,900 lbs* (9480 kg)*	19,900 lbs* (9480 kg)*	18,950 lbs* (8730 kg)*	17,050 lbs (7910 kg)	16,850 lbs* (7730 kg)*	11,750 lbs (5480 kg)	13,100 lbs (6110 kg)	8,550 lbs (3980 kg)	31.44 ft (9.6 m)	9,050 lbs* (4120 kg)*	7,800 lbs (3510 kg)
+10 ft (3 m)							29,350 lbs* (13 510 kg)*	25,350 lbs (11 760 kg)	22,250 lbs* (10 290 kg)*	16,150 lbs (7500 kg)	17,400 lbs (8090 kg)	11,300 lbs (5250 kg)	12,850 lbs (5990 kg)	8,300 lbs (3870 kg)	32.28 ft (9.84 m)	9,400 lbs* (4270 kg)*	7,250 lbs (3290 kg)
+5 ft (1.5 m)							34,050 lbs* (15 700 kg)*	23,500 lbs (10 920 kg)	24,150 lbs* (11 220 kg)*	15,250 lbs (7090 kg)	16,900 lbs (7850 kg)	10,850 lbs (5040 kg)	12,600 lbs (5860 kg)	8,050 lbs (3760 kg)	32.24 ft (9.83 m)	10,000 lbs* (4530 kg)*	7,150 lbs (3230 kg)
Ground-line			17,400 lbs* (7610 kg)*	17,400 lbs* (7610 kg)*	35,900 lbs* (16 540 kg)*	22,500 lbs (10 460 kg)	23,500 lbs (10 930 kg)	14,650 lbs (6800 kg)	16,500 lbs (7670 kg)	10,500 lbs (4870 kg)	12,400 lbs (5770 kg)	7,900 lbs (3670 kg)	31.39 ft (9.57 m)	10,950 lbs* (4960 kg)*	7,350 lbs (3330 kg)		
-5 ft (-1.5 m)	19,200 lbs* (8550 kg)*	19,200 lbs* (8550 kg)*	25,150 lbs* (11 160 kg)*	25,150 lbs* (11 160 kg)*	35,650 lbs* (16 440 kg)*	22,400 lbs (10 420 kg)	23,150 lbs (10 780 kg)	14,400 lbs (6680 kg)	16,300 lbs (7580 kg)	10,300 lbs (4790 kg)		(5760 kg)	(3670 kg)	29.67 ft (9.05 m)	12,600 lbs* (5700 kg)*	8,000 lbs (3620 kg)	
-10 ft (-3 m)	26,200 lbs* (11 730 kg)*	26,200 lbs* (11 730 kg)*	35,700 lbs* (15 780 kg)*	35,700 lbs* (15 780 kg)*	33,150 lbs* (15 330 kg)*	22,650 lbs (10 530 kg)	23,300 lbs (10 830 kg)	14,550 lbs (6750 kg)	16,500 lbs* (7660 kg)	10,550 lbs (4880 kg)			26.94 ft (8.24 m)	14,650 lbs* (6610 kg)*	9,350 lbs (4210 kg)		
-15 ft (-4.5 m)			38,050 lbs* (17 690 kg)*	38,050 lbs* (17 690 kg)*	27,750 lbs* (12 930 kg)*	23,250 lbs (10 800 kg)	20,350 lbs* (9580 kg)*	15,100 lbs (6990 kg)					22.9 ft (7.05 m)	15,400 lbs* (7010 kg)*	12,150 lbs (5420 kg)		

**12 ft 0 in (3.66 m) Arm** Lift capacities calculated using a 1,741 lb (780 kg) bucket, 11,700 lb (5300 kg) counterweight.

Load (Lift Point) Height	5 ft (1.5 m)		10 ft (3 m)		15 ft (4.5 m)		20 ft (6 m)		25 ft (7.5 m)		30 ft (9 m)		35 ft (10.5 m)		MAXIMUM REACH		
	END	SIDE	END	SIDE	END	SIDE	END	SIDE	END	SIDE	END	SIDE	END	SIDE	@	END	SIDE
+30 ft (9 m)															26.11 ft (8.1 m)	6,600 lbs* (2950 kg)*	6,600 lbs* (2950 kg)*
+25 ft (7.5 m)										9,400 lbs* (4380 kg)*	9,400 lbs* (4380 kg)*	6,550 lbs* (3480 kg)*	6,550 lbs* (3480 kg)*		30.26 ft (9.3 m)	6,050 lbs* (2740 kg)*	6,050 lbs* (2740 kg)*
+20 ft (6 m)										11,550 lbs* (5420 kg)*	11,550 lbs* (5420 kg)*	9,550 lbs* (4500 kg)*	8,950 lbs (4190 kg)		32.95 ft (10.09 m)	5,850 lbs* (2660 kg)*	5,850 lbs* (2660 kg)*
+15 ft (4.5 m)										14,150 lbs* (6600 kg)*	12,100 lbs (5620 kg)	11,250 lbs* (5230 kg)*	8,750 lbs (4080 kg)	(2920 kg)*	34.6 ft (10.56 m)	5,900 lbs* (2680 kg)*	5,900 lbs* (2680 kg)*
+10 ft (3 m)			20,550 lbs* (10 710 kg)*	20,550 lbs* (10 710 kg)*	25,500 lbs* (11 840 kg)*	25,500 lbs* (11 840 kg)*	19,850 lbs* (9170 kg)*	16,650 lbs (7740 kg)	16,600 lbs* (7690 kg)*	11,550 lbs (5370 kg)	13,000 lbs (6050 kg)	8,450 lbs (3930 kg)	7,100 lbs* (3810 kg)*	6,300 lbs (2950 kg)	35.36 ft (10.78 m)	6,100 lbs* (2770 kg)*	6,100 lbs* (2770 kg)*
+5 ft (1.5 m)			22,800 lbs* (9640 kg)*	22,800 lbs* (9640 kg)*	31,700 lbs* (14 700 kg)*	24,400 lbs (11 320 kg)	23,000 lbs* (10 630 kg)*	15,600 lbs (7250 kg)	17,100 lbs (7940 kg)	11,000 lbs (5110 kg)	12,650 lbs (5900 kg)	8,100 lbs (3780 kg)	7,500 lbs* (4060 kg)*	6,150 lbs (2880 kg)	35.32 ft (10.77 m)	6,500 lbs* (2940 kg)*	6,050 lbs (2740 kg)
Groundline	8,050 lbs* (3610 kg)*	8,050 lbs* (3610 kg)*	19,000 lbs* (8360 kg)*	19,000 lbs* (8360 kg)*	35,250 lbs* (16 190 kg)*	22,800 lbs (10 590 kg)	23,650 lbs (11 010 kg)	14,750 lbs (6860 kg)	16,550 lbs (7690 kg)	10,500 lbs (4880 kg)	12,350 lbs (5750 kg)	7,850 lbs (3650 kg)	(3380 kg)*	(2820 kg)	34.55 ft (10.53 m)	7,100 lbs* (3210 kg)*	6,200 lbs (2800 kg)
-5 ft (-1.5 m)	16,000 lbs* (7180 kg)*	16,000 lbs* (7180 kg)*	23,150 lbs* (10 270 kg)*	23,150 lbs* (10 270 kg)*	35,800 lbs* (16 530 kg)*	22,100 lbs (10 280 kg)	23,050 lbs (10 730 kg)	14,250 lbs (6610 kg)	16,150 lbs (7520 kg)	10,150 lbs (4720 kg)	12,200 lbs (5670 kg)	7,650 lbs (3570 kg)			32.98 ft (10.06 m)	8,100 lbs* (3650 kg)*	6,600 lbs (3000 kg)
-10 ft (-3 m)	21,200 lbs* (9510 kg)*	21,200 lbs* (9510 kg)*	30,000 lbs* (13 280 kg)*	30,000 lbs* (13 280 kg)*	34,850 lbs* (16 090 kg)*	22,150 lbs (10 290 kg)	22,950 lbs (10 680 kg)	14,200 lbs (6580 kg)	16,150 lbs (7500 kg)	10,150 lbs (4710 kg)	12,200 lbs (5700 kg)	7,750 lbs (3600 kg)			30.55 ft (9.34 m)	9,700 lbs* (4380 kg)*	7,500 lbs (3380 kg)
-15 ft (-4.5 m)	28,250 lbs* (12 580 kg)*	28,250 lbs* (12 580 kg)*	41,200 lbs* (18 560 kg)*	41,200 lbs* (18 560 kg)*	31,550 lbs* (14 640 kg)*	22,500 lbs (10 460 kg)	22,950 lbs (10 680 kg)	14,450 lbs (6710 kg)	16,300 lbs (7570 kg)	10,500 lbs (4860 kg)					27.04 ft (8.3 m)	12,800 lbs* (5720 kg)*	9,150 lbs (4100 kg)
-20 ft (-6 m)			34,600 lbs* (16 290 kg)*	34,600 lbs* (16 290 kg)*	24,650 lbs* (11 620 kg)*	22,850 lbs (10 640 kg)	17,450 lbs* (8370 kg)*	14,850 lbs (6910 kg)							22 ft (6.82 m)	14,100 lbs* (6420 kg)*	12,750 lbs (5630 kg)

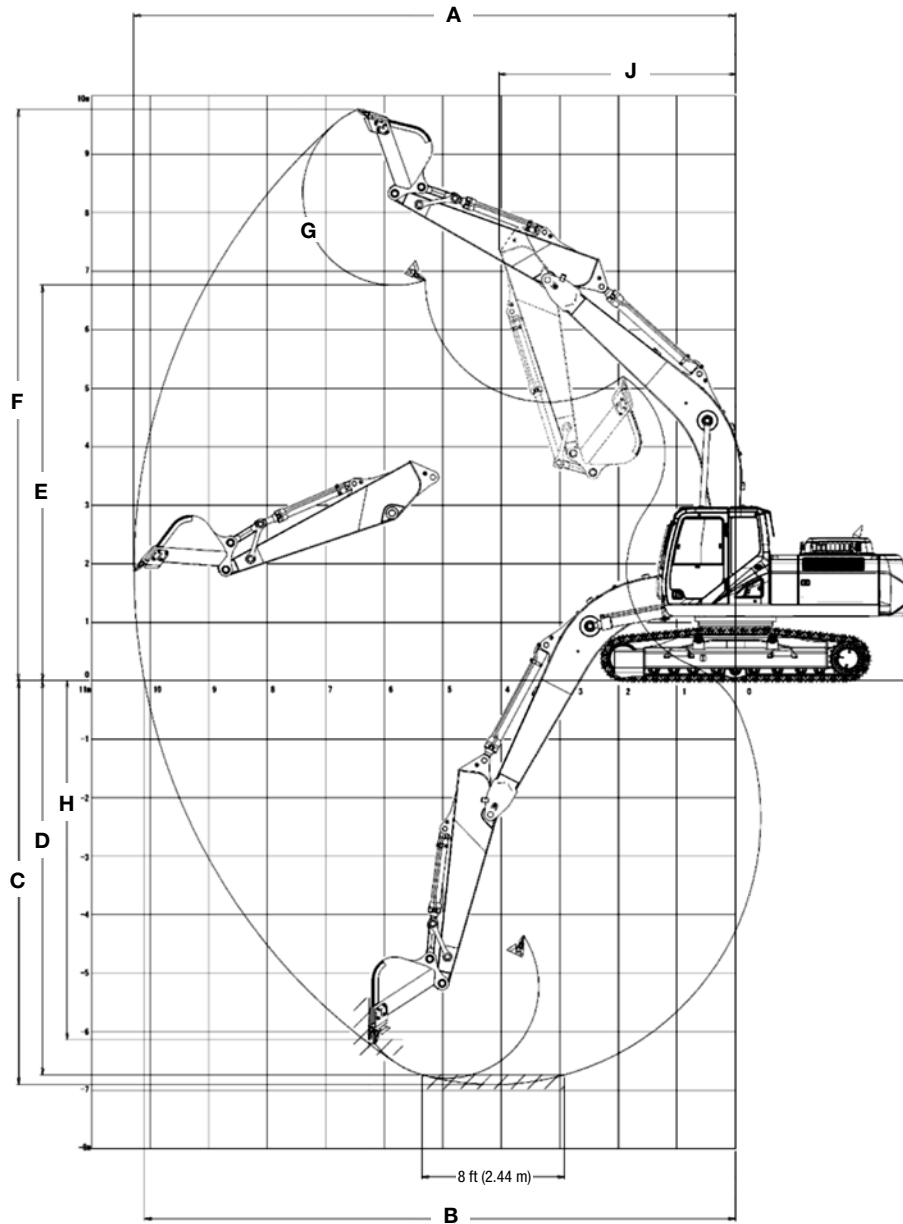


Line drawings are for illustrative purpose only and may not be exact representation of unit.

## DIMENSIONS

	10 ft 5 in (3.18 m) Arm	8 ft 8 in (2.65 m) Arm	12 ft 0 in (3.66 m) Arm
<b>A.</b> Overall height (w/ attachment)	10 ft 8 in (3.26 m)	10 ft 11 in (3.34 m)	11 ft 4 in (3.46 m)
<b>B.</b> Cab height	10 ft 1 in (3.08 m)	10 ft 1 in (3.08 m)	10 ft 1 in (3.08 m)
<b>C.</b> Overall length (w/ attachment)	34 ft 4 in (10.45 m)	34 ft 5 in (10.48 m)	34 ft 4 in (10.47 m)
<b>D.</b> Overall length (w/o attachment)	18 ft 4 in (5.58 m)	18 ft 4 in (5.58 m)	18 ft 4 in (5.58 m)
<b>E.</b> Width of upperstructure	9 ft 6 in (2.89 m)	9 ft 6 in (2.89 m)	9 ft 6 in (2.89 m)
Width of upperstructure w/ catwalks	NA	NA	NA
<b>F.</b> Track overall length	15 ft 11 in (4.85 m)	15 ft 11 in (4.85 m)	15 ft 11 in (4.85 m)
<b>G.</b> Track overall width w/ 31.5 in (800 mm) shoes	11 ft 2 in (3.40 m)	11 ft 2 in (3.40 m)	11 ft 2 in (3.40 m)
<b>H.</b> Track shoe width	31.5 in (800 mm)	31.5 in (800 mm)	31.5 in (800 mm)
<b>J.</b> Center to center (idler to sprocket)	13 ft 1 in (3.98 m)	13 ft 1 in (3.98 m)	13 ft 1 in (3.98 m)
<b>K.</b> Upperstructure ground clearance	3 ft 10 in (1.18 m)	3 ft 10 in (1.18 m)	3 ft 10 in (1.18 m)
<b>L.</b> Minimum ground clearance	19 in (0.48 m)	19 in (0.48 m)	19 in (0.48 m)
<b>M.</b> Rear tail swing radius	10 ft 4 in (3.16 m)	10 ft 4 in (3.16 m)	10 ft 4 in (3.16 m)
Operating weight *	65,900 lb (29 900 kg)	65,680 lb (29 792 kg)	66,187 lb (30 022 kg)
Ground pressure	6.29 psi (0.43 bar)	6.28 psi (0.43 bar)	6.30 psi (0.43 bar)

\* Machine equipped with 20 ft 2 in (6.15 m) boom



## PERFORMANCE SPECS

	10 ft 5 in (3.18 m) Arm	8 ft 8 in (2.65 m) Arm	12 ft 0 in (3.66 m) Arm
<b>A.</b> Maximum dig radius	35 ft 0 in (10.67 m)	33 ft 6 in (10.22 m)	36 ft 7 in (11.16 m)
<b>B.</b> Maximum dig radius at groundline	36 ft 0 in (10.98 m)	34 ft 4 in (10.47 m)	38 ft 5 in (11.72 m)
<b>C.</b> Maximum dig depth	23 ft 4 in (7.1 m)	21 ft 6 in (6.57 m)	24 ft 10 in (7.58 m)
<b>D.</b> Dig depth—8 ft (2.44 m) level bottom	22 ft 9 in (6.94 m)	21 ft 0 in (6.39 m)	24 ft 5 in (7.44 m)
<b>E.</b> Dump height	23 ft 3 in (7.09 m)	22 ft 9 in (6.94 m)	24 ft 3 in (7.39 m)
<b>F.</b> Maximum reach height	33 ft 7 in (10.60 m)	32 ft 5 in (9.93 m)	34 ft 1 in (10.39 m)
<b>G.</b> Bucket rotation	173°	173°	173°
<b>H.</b> Maximum vertical wall dig depth	20 ft 0 in (6.12 m)	18 ft 10 in (5.70 m)	22 ft 1 in (6.72 m)
<b>J.</b> Minimum swing radius	12 ft 11 in (3.92 m)	13 ft 1 in (4.0 m)	13 ft 1 in (4.0 m)
Arm digging force:			
Standard	27,340 lbf (121.6 kN)	31,520 lbf (140.2 kN)	24,680 lbf (109.8 kN)
Power Boost	29,760 lbf (132.4 kN)	34,400 lbf (153.0 kN)	26,680 lbf (118.7 kN)
Bucket digging force:			
Standard	39,250 lbf (174.6 kN)	39,250 lbf (174.6 kN)	39,250 lbf (174.6 kN)
Power Boost	42,760 lbf (190.2 kN)	42,760 lbf (190.2 kN)	42,760 lbf (190.2 kN)

## STANDARD EQUIPMENT

### ENGINE

Isuzu six-cylinder turbo-charged diesel  
Tier 4 Interim Certified (CEGR)  
Electronic fuel injection  
High pressure common rail system  
Diesel Particulate Defuser System (DPD)  
Neutral safety start  
Auto-engine warm up  
Glow-plug pre-heat  
FEA (Fuel Economy System)  
EPF (Engine Protection Feature)  
Dual-stage fuel filtration  
Dual element air filter  
Remote oil filter  
Green plug oil drain  
500-hour engine oil change interval  
24-Volt system

### FUEL ECONOMY SYSTEMS

Engine Idle / Fuel Economy System  
Auto-idle  
One-touch idle  
Idle shut-down  
BEC—boom economy control  
AEC—auto economy control  
SWC—swing relief control  
SSC—spool stroke control

### HYDRAULICS

Auto power boost  
Auto swing priority  
Auto travel speed change  
Selectable work modes  
ISO pattern controls

### HYDRAULICS (continued)

Pre-set auxiliary pump settings  
Auxiliary valve  
Auxiliary pipe brackets  
5,000 hour hydraulic oil change interval  
1,000 hour hydraulic filter change interval  
Hydraulic track adjustment  
SAHR brake

### UPPERSTRUCTURE

Right and left side mirrors  
Isolation mounted cab (fluid and spring)  
Common key vandal locks  
Upper mounted work light (70 watt)  
Swivel guard belly pan

### ATTACHMENTS

Boom—20 ft 2 in (6.15 m)  
Arm—10 ft 5 in (3.18 m)  
Heavy-duty bucket linkage  
Boom mounted work light (70 watt)  
Auxiliary pipe brackets  
Centralized grease fittings  
Attachment cushion valve  
Arm and boom regeneration

### OPERATOR STATION

ROPS protection  
FOPS cab top guard (Level 1)  
Pressurized cab  
One-touch lock front window  
AC/heat/defrost w/ auto climate control  
Color monitor—7 in (180 mm)  
Interior dome light

### OPERATOR STATION (continued)

Air-suspension seat (cloth)  
Seat-belt  
Adjustable armrests  
Tilting consoles—4-position  
Low-effort joystick controls  
Sliding cockpit—7 in (180 mm)  
Controls pre-wired for auxiliary  
Single pedal travel  
Straight travel  
AM/FM radio w/ antenna and 2 speakers  
Aux-in port for personal electronics  
Rear-view camera  
Anti-theft system (start code system)  
Rubber floor mat  
12-Volt electric outlet  
24-Volt cigarette lighter  
External rear view mirrors  
Windshield wiper / washer  
Clear (polycarbonate) roof window w/ sunshade  
Cup holder  
Storage compartments  
Warm / cool storage compartment  
On-board diagnostic system  
Travel alarm with cancel switch  
One key start & lock-up

### UNDERCARRIAGE

31.5 in (800 mm) steel shoes, triple semi-grouser  
Full overlap turntable bearing tub  
Single track chain guides  
Hydraulic track adjustment  
X-pattern carbody

## OPTIONAL EQUIPMENT

### HYDRAULICS

Auxiliary Hydraulics  
Single acting / joystick activated  
Double acting / joystick activated  
Multi-function w/ pressure control / joystick activated (five programmable pre-sets on monitor)  
Secondary low-flow / joystick activated

### ATTACHMENTS

Arm—8 ft 8 in (2.65 m)  
Arm—12 ft 0 in (3.66 m)  
Coupler / Case multi-pin grabber  
Buckets: Heavy-duty / Extreme-duty  
Load holding control  
Free swing (order kit through Service Parts)  
Hose Burst Check Valve (HBCV)

### OPERATOR STATION

Control pattern selector  
FOPS cab top guard (Level 2)  
Front grill guard—2 x 2 in (50.8 x 50.8 mm) screen mesh  
Front rock guard—vertical bars (two piece) / OPG 1  
Front rock guard—vertical bars (one piece) / OPG 2  
Vandal guard  
Rain deflector  
Sun visor  
Side-view camera

### UPPERSTRUCTURE

Refueling pump  
Rubber bumper guard  
(order through Service Parts)

### UNDERCARRIAGE

23.6 in (600 mm) steel shoes, triple semi-grouser  
27.6 in (700 mm) steel shoes, triple semi-grouser  
Track guides—triple

## BUCKETS

Application	Width	SAE Heaped Capacity
General purpose	30 in to 60 in (0.76 to 1.52 m)	1.26 yd <sup>3</sup> to 2.93 yd <sup>3</sup> (0.96 m <sup>3</sup> to 2.24 m <sup>3</sup> )
Heavy-duty	30 in to 54 in (0.76 to 1.37 m)	1.22 yd <sup>3</sup> to 2.53 yd <sup>3</sup> (0.93 m <sup>3</sup> to 1.93 m <sup>3</sup> )
Extreme-duty	30 in to 48 in (0.76 to 1.22 m)	1.12 yd <sup>3</sup> to 2.04 yd <sup>3</sup> (0.86 m <sup>3</sup> to 1.56 m <sup>3</sup> )
Ditching	72 in (1.83 m)	2.20 yd <sup>3</sup> (1.68 m <sup>3</sup> )

**This page intentionally left blank.**



NOTE: All specifications are stated in accordance with SAE Standards or Recommended Practices, where applicable.

NOTE: All engines meet current EPA emissions requirements.

IMPORTANT: Case Construction Equipment Inc. reserves the right to change these specifications without notice and without incurring any obligation relating to such change. Case Construction Equipment Inc. does not warrant the safety or reliability of attachments from other manufacturers.

Case is a registered trademark of CNH America LLC. Any trademarks referred to herein, in association with goods and/or services of companies other than CNH America LLC, are the property of those respective companies.



[www.casece.com](http://www.casece.com)

