

INSTRUMENTATION

Digital hourmeter
 Fuel level LED bar graph
 Warning lights
 Fuel level
 Voltage
 Engine coolant temperature
 Transmission charge pressure
 Engine oil pressure
 Air cleaner restriction
 Hydraulic filter restriction
 Engine oil pressure
 Parking brake
 Systems normal
 Seat belt reminder
 Warning alarms
 Engine coolant temperature
 Transmission charge pressure
 Engine oil pressure
 Hydraulic oil temperature
 Seat belt reminder

ELECTRICAL SYSTEM

Alternator 65 amp
 Starter 2.5 kW
 Battery 12-volt low-maintenance
 610 cold-cranking amps
 @ 0° F (-18 C)

OPERATOR ENVIRONMENT

No-tool tilt ROPS/FOPS canopy
 w/side screens
 Vinyl seat
 Seat presence switch
 2" (51 mm) retractable seat belt
 Restraint bar w/integral arm rests
 Two servo-assist, adjustable,
 hands-only control levers
 Hand and foot throttles
 Loader control lockout system
 Rear window w/escape provision
 Front and rear halogen floodlights
 Floor cleanout panel

CYLINDERS

Lift cylinder
 Bore diameter..... 2.25" (57 mm)
 Rod diameter 1.75" (44.4 mm)
 Stroke 38.19" (970 mm)
 Closed length..... 51.97" (1.32 m)
 Bucket cylinder
 Bore diameter..... 2.5" (63.5 mm)
 Rod diameter 1.5" (38.1 mm)
 Stroke 20.87" (530 mm)
 Closed length..... 47.4" (1.2 m)

OPERATING WEIGHTS

Unit equipped with 15.5 x 16.5
 Galaxy Hippo tires, 82" (2.08 m) dirt
 bucket, mechanical attachment
 coupler, full fuel ... 8,950 lb (4060 kg)

Add-on weights
 Side cab glass +70 lb (32 kg)
 Lexan® door +70 lb (32 kg)
 Glass door w/wiper... +77 lb 935 kg)
 Auxiliary high-flow
 3000 psi (207 bar) +256 lb (116 kg)
 Hydrostatic..... +269 lb (122 kg)
 Heater +10 lb (4.5 kg)
 Suspension seat..... +10 lb (4.5 kg)
 Hydraulic attachment
 coupler +38 lb (17 kg)
 Counterweight +925 lb (420 kg)

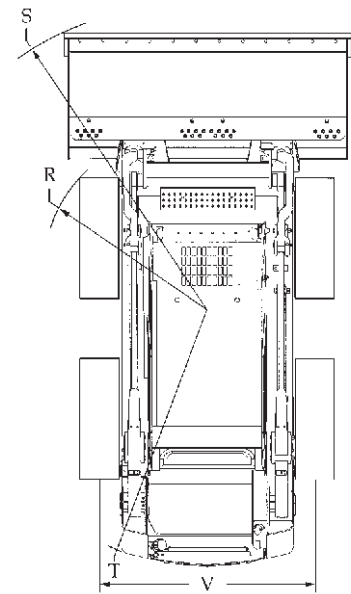
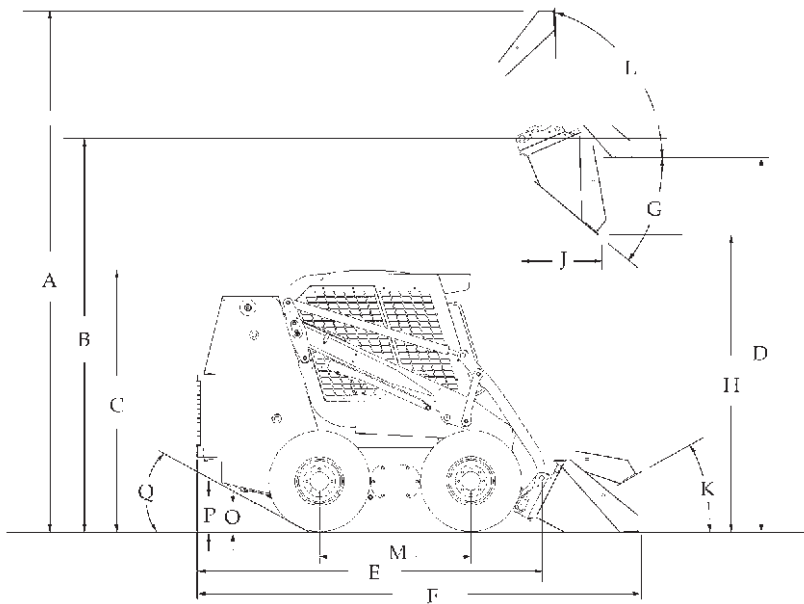
SERVICE CAPACITIES

Fuel tank..... 20.7 gal (78.3 L)
 Engine oil w/filter 11 qt (10.4 L)
 Engine oil w/o filter..... 10 qt (9.5 L)
 Engine cooling system... 17.5 qt (16.6 L)
 Hydraulic system
 Reservoir 6.5 gal (24.5 L)
 Total 17.0 gal (64.3 L)
 Chain tanks (per side).... 8 qt (7.6 L)

TIRE SELECTION

	Size	Ply Rating	Tread Depth	Tire Width	Width Over Tires	Tire Weight*	Max Travel Speed
Solideal Hauler SKS.....	12.00 x 16.5	10	0.75" (19 mm)	13.1" (333 mm)	72" (1.83 m)	51 lb (23.1 kg)	11.1 mph (17.9 km/h)
Galaxy Beefy Baby II.....	12.00 x 16.5	10	0.75" (19 mm)	12.3" (312 mm)	72" (1.83 m)	81 lb (36.7 kg)	11.1 mph (17.9 km/h)
Galaxy Hippo	33/15.50 x 16.5	12	0.81" (21 mm)	12.8" (325 mm)	80" (2.03 m)	96 lb (43.5 kg)	11.1 mph (17.9 km/h)
Galaxy King Kong.....	12.00 x 16.5	10	1.25" (32 mm)	10.2" (259 mm)	72" (1.83 m)	96 lb (43.5 kg)	11.2 mph (18.0 km/h)
Galaxy Hulk.....	12.00 x 16.5	12	0.81" (21 mm)	12.3" (312 mm)	72" (1.83 m)	100 lb (45.3 kg)	11.1 mph (17.9 km/h)
Galaxy Bulky Hulk.....	33/15.50 x 16.5	14	0.81" (21 mm)	16.7" (424 mm)	80" (2.03 m)	124 lb (56.2 kg)	11.1 mph (17.9 km/h)
Case Steel Tracks	12.00 x 16.5...	NA	1.4"∞ (36 mm)	14.7"∅ (373 mm)	78" (1.98 m)	959 lb (435.0 kg)	11.8 mph (18.9 km/h)

NOTE: *Tire weight does not include wheel weight. ∞Equals grouser depth. ∅Equals track width.



DIMENSIONS

- A. Overall operating height
 - Dirt bucket..... 150.3" (3.82 m)
 - Light material bucket..... 158.9" (4.04 m)
- Height to*
- B. Bucket hinge pin..... 124.5" (3.16 m)
- C. Top of rollover protective structure..... 80" (2.03 m)
- D. Bottom of level bucket, loader arm fully raised 116.5" (2.96 m)
- Overall length
- E. w/o attachment w/coupler 105.5" (2.68 m)
- F. w/dirt bucket on ground 137.6" (3.49 m)
- F. w/light material bucket on ground 145.3" (3.69 m)
- G. Dump angle at maximum height
 - Dirt bucket..... 40°
 - Light material bucket..... 35°
- H. Dump height – loader arm fully raised
 - Dirt bucket..... 94.5" (2.40 m)
 - Light material bucket..... 93.0" (2.36 m)
- J. Reach – loader arm fully raised
 - Dirt bucket 26.7" (678 mm)
 - Light material bucket 35.3" (896 mm)
- Maximum attachment rollback
- K. Bucket on ground..... 30°
- L. Bucket at full height..... 55°
- M. Wheelbase 46.06" (1.17 m)
- Ground clearance
- O. Bottom of chain case..... 9.1" (231 mm)
- P. Bottom of belly pan 11" (279 mm)
- P. Bottom of optional counterweight 9.1" (231 mm)
- Q. Angle of departure 28°
- Clearance circle front
- R. less bucket 54.5" (1.38 m)
- S. w/73" (1.85 m) dirt bucket on ground 84.3" (2.14 m)
- S. w/82" (2.08 m) dirt bucket on ground 86.3" (2.19 m)
- S. w/82" (2.08 m) light material bucket on ground 93.3" (2.37 m)
- T. Clearance circle rear 62.2" (1.58 m)
- V. Tread width, centerline to centerline 64.5" (1.64 m)

NOTE: *Equipped with 15.5 x 16.5 tires.

PERFORMANCE SPECS

- Operating load 2,450 lb (1111 kg)
- w/counterweight 2,910 lb (1320 kg)
- Tipping load..... 4,900 lb (2223 kg)
- w/counterweight 5,820 lb (2640 kg)
- Breakout force
 - Lift cylinder 5,290 lbf
 - (23 531 N)
 - Bucket cylinder 6,200 lbf
 - (27 578 N)
- Dig depth
 - w/bucket flat 0.24" (6 mm)
- Cycle time
 - Raise 3.14 seconds
 - Lower 2.44 seconds
 - Dump 1.14 seconds
 - Rollback99 seconds

NOTE: SAE rated lift capacities. Cycle time measured with rated load in bucket.

OPTIONAL BUCKETS

Type	Width inch (m)	Weight lb (kg)	Heaped Capacity ft³ (m³)
Dirt.....	73.....	553.....	16.8
	(1.9)	(251)	(.48)
	82.....	593.....	19
	(2.1)	(269)	(.54)
HD Dirt.....	73.....	621.....	16.8
	(1.9)	(282)	(.48)
	82.....	676.....	19
	(2.1)	(307)	(.54)
Utility.....	73.....	628.....	22.4
	(1.9)	(285)	(.63)
	82.....	674.....	25.3
	(2.1)	(306)	(.72)
HD Utility....	73.....	696.....	22.4
	(1.9)	(316)	(.63)
	82.....	758.....	25.3
	(2.1)	(344)	(.72)
Light Material.....	82.....	584.....	32.5
	(2.1)	(265)	(.92)

STANDARD EQUIPMENT

OPERATOR'S COMPARTMENT

ROPS/FOPS canopy w/side screens
No-tools tilt ROPS/FOPS
Instrument panels
Vinyl seat
2" (51 mm) retractable seat belt
Hand & foot throttles
Ergonomic hand controls
Restraint bar w/integral arm rests
Loader control lockout system
Fingertip brake control
Rear window w/escape provision
Horn
Floor cleanout panel

LOADER

Conventional lift linkage
Mechanical two-way self-leveling linkage
Power Cycle bucket linkage
Mechanical attachment coupler

OPTIONAL EQUIPMENT

OPERATOR'S COMPARTMENT

Vinyl suspension seat w/2" (51 mm) retractable seat belt
Vinyl suspension seat w/3" (76 mm) retractable seat belt
Auxiliary front electric controls
Chassis options harness
Lexan® front door
Glass front door w/wiper & washer
Sliding side windows
Heater (floor)
Heater (deluxe)
Accessory power outlet

ENGINE

Case 4T-390 turbocharged diesel
Automatic fan belt tensioner
Integral engine oil cooling
Fuel filter w/water trap
Dual element air cleaner
65 amp alternator
610 CCA 12-volt battery
Heavy-duty radiator

POWERTRAIN

Hydrostatic four wheel drive
High/Low range
Servo controls
Double reduction planetary final drive
ASA #120HS drive chain
Disc parking brakes

LOADER

Ride Control
Hydraulic attachment coupler

ENGINE

Coolant block heater
Thermostart

HYDRAULICS

Auxiliary high-flow
3000 psi (207 bar) - 40.9 gpm (155 L/min)
Hydrostatic high-flow
5000 psi (345 bar) - 30.4 gpm (115 L/min)

OTHER

Backup alarm
Rotating beacon
925 lb (420 kg) counterweight
Front lift hooks

HYDRAULICS

Auxiliary hydraulics 3000 psi (207 bar) - 20.3 gpm (77 L/min), hydraulic circuit pedal lock, loader arm mounted ISO flat face couplers
Loader function lockout system
Loader lift lockout override
2-spool loader control valve
1-spool auxiliary valve
Heavy-duty swing-out oil cooler
Loader arm float position

OTHER

Integral bumper counterweight
Heavy-duty louvered rear grille
Lockable service access hood
Single-point daily servicing
Halogen lights, 2-front, 1-rear
Rear tail lights and reflectors

OTHER (continued)

Drawbar
Special paint
Manual brake release
Buckets - see page 3
42" (1.07 m) / 48" (1.22 m) pallet forks
Model 560 trencher
Model D125 backhoe
Bolt-on bucket cutting edges
Catalytic muffler
Aspirator
Battery disconnect switch
Automatic engine shutdown system
Steel tracks
ECI proportional fan drive
Tire options
Galaxy Poly Soft-Super Fill
Tyrllyner
Factory-installed tires - see page 2

Lexan is a trademark of the General Electric Co.

Galaxy, Beefy Baby II, Hippo, Hulk, King Kong, Bulky Hulk, and Poly Soft-Super Fill are trademarks of the Galaxy Tire Co.

Hauler SKS is a trademark of Solideal Industrial Tires, Inc.

Tyrllyner is a registered trademark of Tyrllyner Company.

© 2001 CASE CORPORATION

All Rights Reserved. Case is a registered trademark of Case Corporation.

CASE CORPORATION

700 STATE STREET
RACINE, WI 53404 U.S.A.

CASE CANADA CORPORATION

450 SHERMAN AVENUE NORTH
HAMILTON, ON L8N 4C4 CANADA

NOTE: All specifications are stated in accordance with SAE Standards or Recommended Practices, where applicable.

Form No. CE 119-10-01
Replaces Form No. - CE 119-7-99



IMPORTANT: Case Corporation reserves the right to change these specifications without notice and without incurring any obligation relating to such change. Units shown may be equipped with non-standard equipment. Attachments from other manufacturers are shown for illustration only. Case Corporation does not warrant the safety or reliability of attachments from other manufacturers.

Visit Case Corporation on the Web at:
<http://www.casecorp.com>
Printed in U.S.A.