



## 1700 Series Uni-Loader

- Model 1737; 37 hp gasoline
- Model 1740; 40 hp diesel
- Water-cooled 4-cylinder Case engines
- Self-leveling loader
- 1,700-lb. load rating
- Over two tons operating weight
- 4-wheel-drive

### Loader Operational Data

#### Rated lift capacity -

Mfr. rating	1700 lbs. (771 kg)
*Lift capacity to full height	2020 lbs. (916 kg)
*Tipping load - SAE rated	2080 lbs. (944 kg)
*Bucket rollback - at ground line	18°
- at carry position	19°
- at full height	40°
*Dump angle - maximum height	50°
*Dump height - maximum height at 45° dump angle	86-1/2" (2197 mm)
*Maximum grading angle	113°
*Digging depth - bucket flat	0"
*Dump reach - at 25-3/4" (654 mm) dump height, 45° dump angle	31-1/2" (800 mm)
*Reach - bucket flat on the ground	52" (1321 mm)
*Breakout force - tilt cylinders (pivot at bucket hinge pin, force measured 4" (102 mm) rear of cutting edge)	1660 lbs. (753 kg)
*Raising time to full height - bucket full	6.7 sec.
*Lowering time - bucket empty	4.6 sec.

- 360-deg. counter-rotation
- Compact, maneuverable, for work in confined areas, narrow aisles, etc.
- Unmatched operating ease
- Quick-change attachment bar
- Wide range of Case-matched attachments
- Hydraulic brakes, optional

*Dumping time - full bucket	1.6 sec.
*Clearance circle - front (without bucket)	46" (1168 mm)
(with bucket)	75" (1905 mm)
*Clearance circle - rear	52" (1321 mm)
*Operating data taken with standard equipment, 7:00 x 15 tires and 60" dirt bucket	

### Operating Weights

*1737	5310 lbs. (2409 kg)
*1740	5510 lbs. (2499 kg)

NOTE: Operating weights taken with standard equipment, 7.00 x 15 steel capped tires, 60" dirt bucket and 175 lb. operator.

Unit shown is equipped with non-standard items. Manufactured by J I Case Company, Racine, Wisconsin USA.

**J I Case**



# Specifications

## 1737, 1740 Uni-Loaders

### Loader Dimensions

* Overall height - maximum	135" (3429 mm)
* Height to bucket hinge pin - maximum height	115-1/2" (2934 mm)
* Overall height to lift arm hydraulic hoses	67-1/2" (1715 mm)
* Overall height with operator guard	84-1/2" (2146 mm)
* Overall length - with bucket	120" (3048 mm)
- without bucket	90-1/2" (2299 mm)
* Wheel base	35" (889 mm)
* Overall width - without bucket (7.00 x 15 tires)	60" (1524 mm)
- without bucket (10 x 16.5 tires)	66" (1676 mm)
* Tread (standard wheels)	51-3/4" (1314 mm)
* Ground clearance	7" (178 mm)
* Bucket width	60" (1524 mm)

NOTE: Specifications taken with standard equipment, 7.00 x 15 tires and 60" (1524 mm) 12 cu. ft. (0.34 m<sup>3</sup>) dirt bucket unless otherwise stated.

Approximate travel speed (forward and reverse) 0 to 5 mph (0 to 8 km/hr)

### Engines

	Model 1737	Model 1740
Make and model	Case G148B, gasoline, 4 cycle, overhead valve	Case G168D, diesel, 4 cycle, overhead valve
* Type of fuel	Gasoline, regular	No. 2 diesel
* Maximum rated horsepower		
(1) Gross	39.5 @ 2000 rpm	42.5 @ 2000 rpm
*(2) SAE net	37 @ 2000 rpm	40 @ 2000 rpm
* Torque, maximum, lbs-ft (kg-m)		
500' (152.4 m) altitude, 85° F. (29° C)	115 @ 1300 rpm (15.9 @ 1300 tr/mn)	116 @ 1650 rpm (16 @ 1650 tr/mn)
* Torque, governed speed, lbs-ft		
500' (152.4 m) altitude, 85° F. (29° C)	103 @ 2000 rpm (14.2 @ 2000 tr/mn)	112 @ 2000 rpm (15.5 @ 2000 tr/mn)
* Cylinders, number	4	4
* Bore and stroke	3-3/8" x 4-1/8" (86mm x 105mm)	3-13/16" x 4-1/8" (97mm x 105mm)
* Displacement	148 cu. in. (2425 cm <sup>3</sup> )	188 cu. in. (3081 cm <sup>3</sup> )
Electrical system	12V with alternator	12V with alternator
Battery	(1) 12V, 72 amp. hr.	(1) 12V, 95 amp. hr.
Air Cleaner	Dry type	Dry type
* Cooling capacity	11 qts. (10.4 liters)	11 qts. (10.4 liters)
Fuel Tank (capacity)	17 U.S. gals (64 liters)	17 U.S. gals. (64 liters)

### Drive Mechanism

4-wheel-drive. Four, pressure-lubricated drive clutches. Independent clutch-type steering. Enclosed lubricated final drives. Split jackshaft. Hydraulic actuated, variable-speed drive. Gear box connecting drive.

### Controls

Steering, braking, forward-reverse movement, raising-lowering of boom lift and tilting of attachments controlled by operation of two hand levers. Speed controlled by hydraulically actuated, variable-speed drive.

### Tires

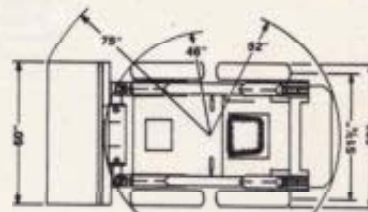
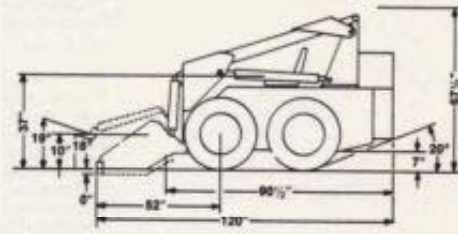
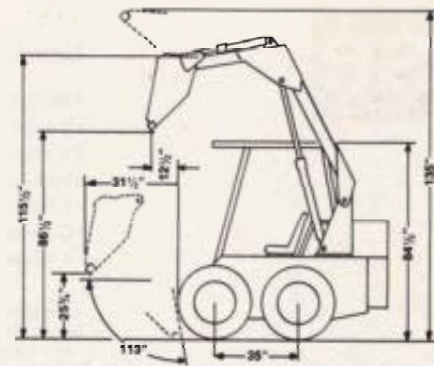
(Front & rear)		
Standard: 6 ply, steel cap chevron tread, nylon	4 - 7.00 x 15	
Optional: 6 ply, steel cap sure-grip	4 - 10 x 16.5	
Notat Non-Pneumatic	4 - 6.50 x 16	
Duplex super traction, 6 ply	4 - 10 x 16.5	

### Hydraulic System

Pump capacity	18 gpm @ 2400 rpm (pump speed) (68 l/mn @ 2400 tr/mn)
Pump: flange mounted, spline drive to gear box shaft	
System capacity	18 gallons (68 liters)
* Lift cylinders	3" dia. x 28" stroke, 1-1/2" rod (76 mm dia. x 711 mm stroke, 38 mm rod)
* Tilt cylinders	3" dia. x 14-1/4" stroke, 1-1/2" rod (76 mm dia. x 362 mm stroke, 38 mm rod)

### Bucket Data

Types	Struck		Capacities cu. ft. (m <sup>3</sup> )	Weight lbs. (kg)
	Width Inch (mm)	Capacities cu. ft. (m <sup>3</sup> )		
Dirt	60 (1524)	9.2 (0.26)	12.3 (0.34)	315 (143)
Dirt (with 8 teeth)	60 (1524)	9.2 (0.26)	12.3 (0.34)	338 (153)
Dirt	65 (1651)	10.3 (0.29)	14.0 (0.39)	334 (151)
Dirt (with 9 teeth)	66 (1676)	10.3 (0.29)	14.0 (0.39)	356 (161)
Utility	60 (1524)	15.3 (0.43)	18.0 (0.50)	415 (188)
Utility	66 (1676)	17.0 (0.48)	20.3 (0.57)	428 (194)
Fertilizer	60 (1524)	20.0 (0.57)	24.0 (0.67)	482 (219)
Fertilizer (heavy duty)	60 (1524)	16.5 (0.47)	20.0 (0.56)	442 (200)
Cement	38 (965)	9.3 (0.26)	11.0 (0.31)	282 (128)
Mining	49 (1245)	7.5 (0.21)	9.0 (0.25)	326 (148)
Mining	61 (1549)	9.7 (0.28)	11.6 (0.33)	382 (174)
Snow	66 (1676)	20.2 (0.57)	26.4 (0.74)	464 (210)
Chicken Litter	60 (1524)	11.3 (0.32)	15.0 (0.42)	360 (163)
Stockyard	66 (1676)	21.3 (0.60)	24.0 (0.67)	481 (218)
Potato	67 (1702)	20.2 (0.57)	25.6 (0.72)	486 (220)
Potato	73 (1854)	31.0 (0.88)	35.0 (0.98)	614 (279)
4-in-1	66 (1676)	11.7 (0.33)	13.5 (0.38)	678 (308)



### Standard Equipment (on basic unit)

1700 lb. loader lift capacity rating, with 2 double-acting lift cylinders, less attachments, with controls and hydraulics. Case-built diesel or gasoline engine (depending on model). Key and pushbutton-actuated heavy-duty, dust-sealed starter. Engine oil filter. Dry-type air cleaner. Muffler. 12-volt electrical system. Alternator. 18 gpm hydraulic pump. Hydraulic oil filter with condition indicator and replaceable element. Engine hourmeter, 4-wheel-drive, multi-disc, pressure-lubricated clutches. Independent, clutch-type steering. Enclosed, pressure-lubricated drive mechanism. Split jackshaft. Hydraulic actuated, variable-speed drive. Gear box connecting drive. 7.00 x 15, 6 ply, steel cap, chevron tread nylon tires. Case exclusive speed-change attachment bar. Attachment mounting hooks. Adjustable, deluxe comfort seat. Seat belt. Operator heat shield. Anti-freeze.

### Optional Tractor Equipment

Operating and parking brakes. Flotation or solid rubber tires. Hinged counterweight. Overhead guard with expanded metal sides. Spark arresting muffler. Belly pan. Drawbar attachment. Auxiliary hydraulics. Horn. Two headlights and one rear light. Deluxe cab. Windshield wipers for cab. Bucket level indicator.

### Other Optional Equipment

Various types and sizes of buckets. Pallet and manure forks. Manure fork grapple. Dozer blade. Scarifier. Snow blade. Angle broom. Tree shear. Wood Tick grapple. Nursery attachments. Backhoes. Backhoe buckets. Post hole augers. Scarifier. Caster wheel.

NOTE: Specifications, prices, standard equipment and optional equipment subject to change without notice.

\*These specifications conform to IEMC definitions. IEMC definitions are not established for specifications not preceded by an \*.

### Sold and serviced by