

BIGBALER

870 Plus | 890 Plus | 1270 Plus | 1290 Plus



BIGBALER 1290⁺ PLUS
17 HOURS in 2 DAYS - 1254 BALES
CERTIFIED
EXCELLENCE IN BALING

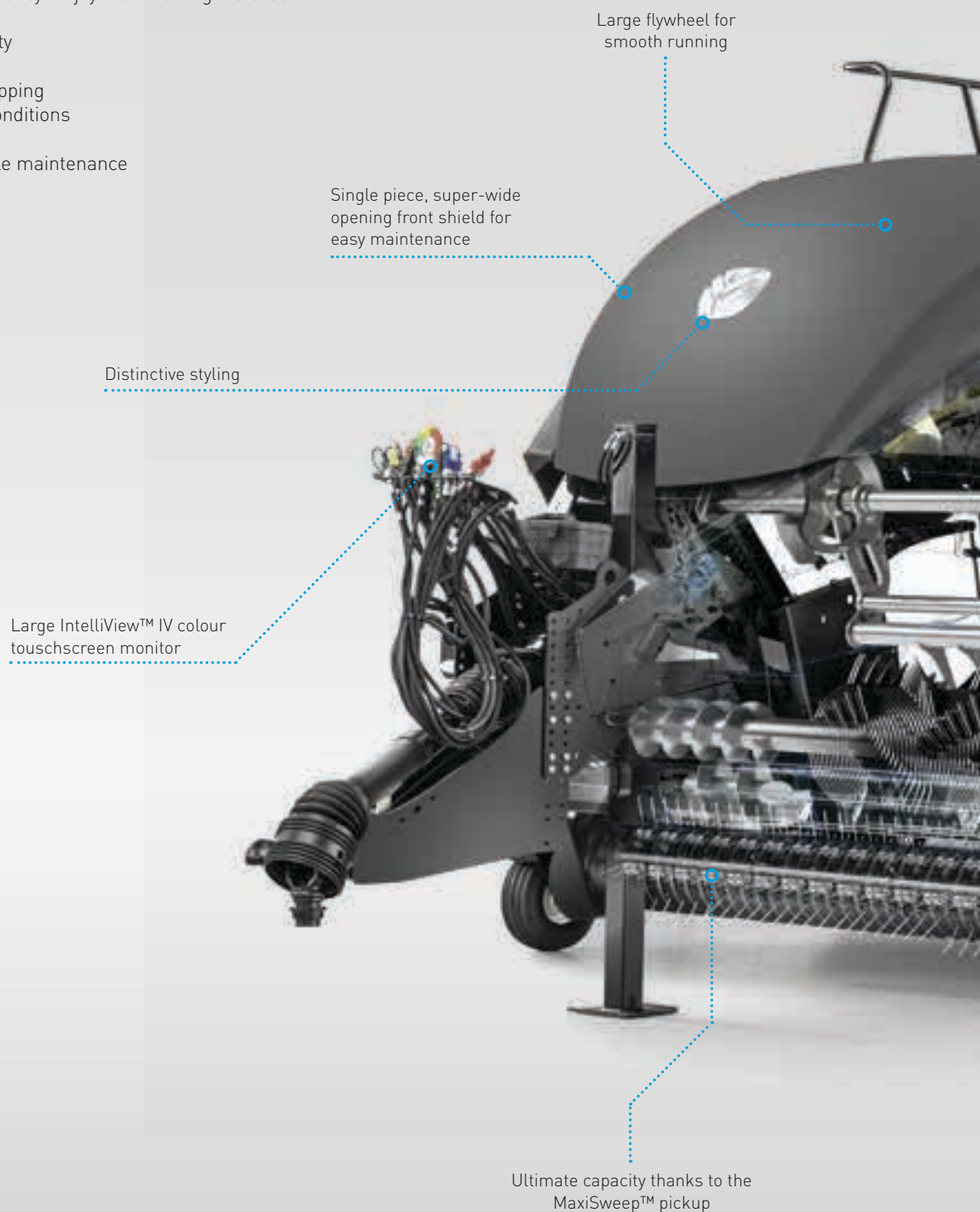


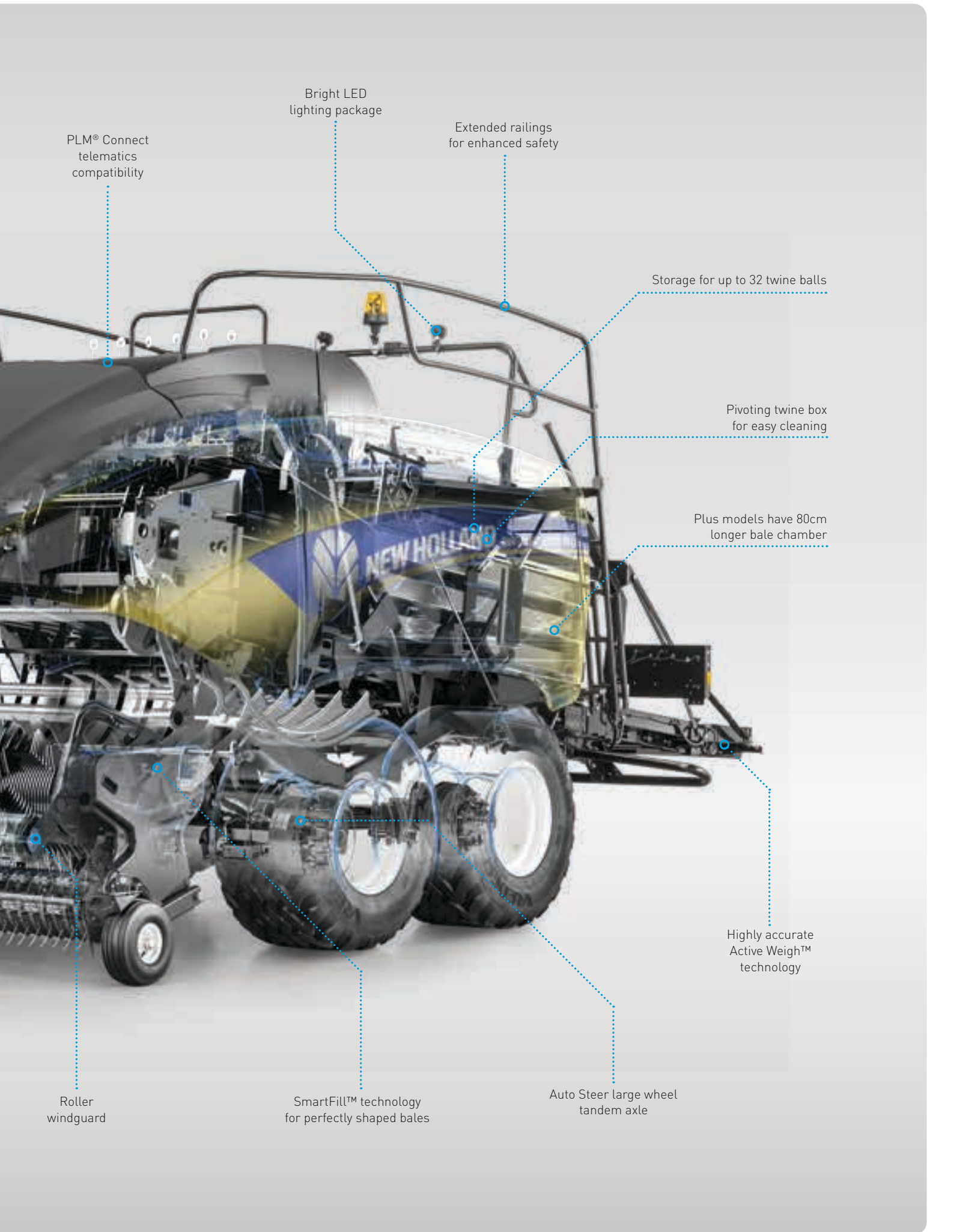
Introducing the latest Plus baler range.

Choose plus for your baling operations

The new Plus models take the BigBaler range to a whole new level of productivity and efficiency. Enjoy the following features

- Up to 10% higher density
- Consistent day-long density
- Improved bale shape
- Reduced risk of twine snapping
- Bale even in the hottest conditions
- Gentler bale drop
- Easier and more accessible maintenance
- Easier to clean





PLM® Connect telematics compatibility

Bright LED lighting package

Extended railings for enhanced safety

Storage for up to 32 twine balls

Pivoting twine box for easy cleaning

Plus models have 80cm longer bale chamber

Highly accurate Active Weigh™ technology

Roller windguard

SmartFill™ technology for perfectly shaped bales

Auto Steer large wheel tandem axle

SPECIFICATIONS

Models	BigBaler 870 Plus			BigBaler 890 Plus			BigBaler 1270 Plus		BigBaler 1290 Plus	
Type	Standard	Packer Cutter	CropCutter	Standard	Packer Cutter	CropCutter	Standard	CropCutter	Standard	CropCutter
Bale dimensions										
Width / Height (cm)	80 / 70			80 / 90			120 / 70		120 / 90	
Minimum / Maximum length (cm)	100 / 260			100 / 260			100 / 260		100 / 260	
Tractor requirements										
Minimum PTO power (kW/hp(CV))	80/109	85/116	100/136	80/109	85/116	100/136	90/122	110/150	95/130	118/160
PTO speed (rpm)	1000			1000			1000		1000	
Hydraulic remotes	2	3		2	3		2	3	2	3
Main Drive										
Gearbox	Enclosed oil immersed triple reduction gearbox									
Protection	Shear bolt, overrunning clutch and slip clutch									
MaxiSweep™ Pick-up										
Width (DIN 11220) (m)	1.96			1.96			2.23	2.35	2.23	2.35
Roller windguard	●			●			●	●	●	●
Feed assist auger	●			●			●	●	●	●
Tine diameter (mm)	5.5		6	5.5		6	5.5	6	5.5	6
Flotation	Adjustable spring			Adjustable spring			Adjustable spring		Adjustable spring	
Castering pickup gauge wheels	○			○			○		○	
Pick up slipclutch protection	●			●			●	●	●	●
Gauge wheels (15 X 6.00-6-4ply)	2			2			2		2	
CropCutter™ system										
Knives options	●			●			●		●	
Knife distance (mm)		6	9 or 19		6	9 or 19		15 or 29		15 or 29
		114	78 / 39		114	78 / 39		78 / 39		78 / 39
Knife removal		From the front	Sliding knife drawer		From the front	Sliding knife drawer		Sliding knife drawer		Sliding knife drawer
Knife activation, in - out	Hydraulic			Hydraulic			Hydraulic		Hydraulic	
Knife protection	Individual springs			Individual springs			Individual springs		Individual springs	
Feeding system										
Feeder	2 packer forks 6 single tines	3 packer forks 6 single tines	Rotor Width 800mm "W" tine configuration	2 packer forks 6 single tines	3 packer forks 6 single tines	Rotor Width 800mm "W" tine configuration	3 packer forks 9 single tines	Rotor Width 1200mm "W" tine configuration	3 packer forks 9 single tines	Rotor Width 1200mm "W" tine configuration
Feeder protection	Slip clutch			Slip clutch			Slip clutch		Slip clutch	
Stuffer	Fork type with 4 tines	Fork type with 6 tines	Fork type with 4 tines	Fork type with 4 tines	Fork type with 6 tines	Fork type with 4 tines	Fork type with 6 tines	Fork type with 6 tines	Fork type with 6 tines	Fork type with 6 tines
Stuffer protection	Shearbolt			Shearbolt			Shearbolt		Shearbolt	
Pre-compression chamber, volume (m³)	0.25			0.25			0.3		0.3	
SmartFill™ system	●			●			●		●	
Plunger										
Speed (Strokes/min)	48			48			48		48	
Length of stroke (mm)	710			710			710		710	
Typing system										
Type	Double knot type			Double knot type			Double knot type		Double knot type	
Twine type	110-150M/kg plast.			110-150M/kg plast.			110-150M/kg plast.		110-150M/kg plast.	
Number of twines	4			4			6		6	
Knotted fan type	Electric			Electric			Electric		Electric	
Number of knotted fans	2			2			3		3	
Knotted function alert	IntelliView™ monitor and visual			IntelliView™ monitor and visual			IntelliView™ monitor and visual		IntelliView™ monitor and visual	
Knotted lubrication	Grease			Grease			Grease		Grease	
Twine ball capacity	32			32			32		32	
Bale density system										
Proportional 3-way control	IntelliView monitor controlled			IntelliView monitor controlled			IntelliView monitor controlled		IntelliView monitor controlled	
Electronic control system										
ISO 11783 Connection Ready	●			●			●		●	
IntelliView™ IV monitor	○			○			○		○	
IntelliCruise™ system	○*			○*			○*		○*	
PLM® GPS data logging	○			○			○		○	
Lights										
Road lights	●			●			●		●	
Light package I	Standard: 1 x service light LHS stuffer, 1 x portable light, 2 x working lights at rear machine						Work lights standard: 2 x rear work lights, 1 x rotary beacon, LED strip lights on the knotted, pickup and needles			
Light package II	Optional: 1 x service light RHS stuffer, 2 x knotted lights + 1 x needle light, 2 x pickup light LED						Service LED lights optional: left and right hand side stuffer lights, left and right hand side twine box lights			
Axles										
Single axle (Tyre size)	600/55X22.5 or 710/40X22.5									
Tandem axle (Tyre size)	500/50X17									
Tandem axle with Auto-Steer system (Tyre size)	500/50X17									
Large wheel tandem axle with Auto-Steer system (Tyre size)	560/45 R22.5 or 620/50 R22.5**									
Brakes										
Hydraulic	○			○			○		○	
Pneumatic	○			○			○		○	
Maximum travelling speeds										
Single & Tandem axle / Large wheel tandem axle (kph)	40 / 60			40 / 60			40 / 60		40 / 60	
Baler dimensions										
Length chute closed (single piece) (mm)	8259	8259	8315	8259	8259	8259	8259	8315	8259	8315
Width (Single axle 600/55X22.5 tyres) (mm)	2568	2568	2568	2568	2568	2568	2948	2948	2948	2948
Width (Single axle 710/40 R22.5 tyres) (mm)	2604	2604	2604	2604	2604	2604	2984	2984	2984	2984
Width (Tandem axle 500/50X17 tyres) (mm)	2398	2398	2398	2398	2398	2398	2782	2782	2782	2782
Width (Large wheel tandem axle 620/50 R22.5 tyres) (mm)	2542	2542	2542	2542	2542	2542	2946	2946	2946	2946
Height (Single axle and Tandem axle) (mm)	3133	3133	3223	3133	3133	3223	3133	3223	3133	3223
Standard equipment										
	Roller windguard, SmartFill™ system, central greasing system, standard Bale-Eject system, roller bale chute with hydraulic folding, working lights									
Optional equipment										
	Comfort package, automatic greasing, Partial Bale-Eject™ system, service lights, camera monitoring system, ActiveWeigh™ system, moisture measuring system, hard face knife kit, Electronic Bale Length system, CropSaver liquid preservative, rear bumper									

● Standard ○ Optional – Not available * Charge Control mode only available on CropCutter models **620/50R22.5 for CropCutter models only



www.newholland.com/za

The data indicated in this folder are approximate. The models described here can be subjected to modifications without any notice by the manufacturer. The drawings and photos may refer to equipment that is either optional or intended for other countries. Please apply to our Sales Network for any further information. Published by New Holland Brand Communications. Bts Adv. - Printed in Italy - 05/18 - (Turin) - RSA8374N/INB