

W270c W300c

TIER 2



	W270C	W300C
BUCKET VOLUME	4.2 m ³ - 9.0 m ³	4.8 m ³ - 10.0 m ³
BUCKET CAPACITY	8.0 ton	8.9 ton
OPERATING WEIGHT	24.4 ton	27.7 ton
PEAK GROSS POWER	320 hp	347 hp



BUILT AROUND YOU

W270C/W300C

THE CLEAN ENERGY LOADER

INCREASE YOUR INCOME

MORE PRODUCTIVE WITH 18% MORE THRUST IN 2ND SPEED

For applications such as gravel pits where 2nd speed is preferred for more grip during loading, the additional 18% penetration force will lift your productivity.

MORE PRODUCTIVE WITH MORE BUCKET RETENTION

The bucket roll back in the carry position was increased to 48° so that the material stays in your bucket during travelling.

MORE PRODUCTIVE WITH SHORTER DISTANCES

The faster lifting of the loader enables you to position the truck at just 10 m from the pick up point. The benefits of the shorter V-cycle are more productivity and less fuel consumption.

DECREASE YOUR EXPENSES

LESS FUEL WITH BETTER COMBUSTION

Combustion with fresh air only provides maximum efficiency, guaranteeing the best engine output delivering more power and using less fuel.

LESS FUEL WITH LOWER COOLING REQUIREMENTS

A smaller cooling system means lower fuel consumption.



CHOOSE RELIABILITY

MORE ROBUST FOR EACH APPLICATION

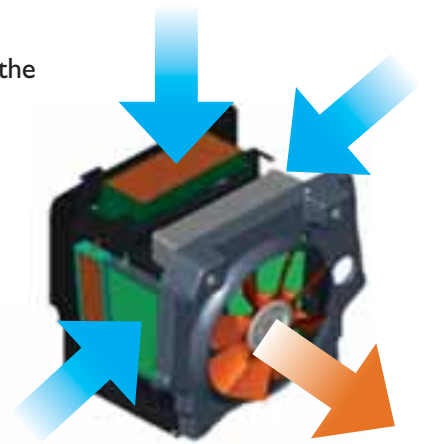
For the toughest jobs, reliability comes with a perfect control of the oil temperature in the axles.

- **For flat hard soil** such as asphalt where there is no grip issue and stress on the axle is less:
 - **No overheating** with open differential on front and rear axles
- **For soft soil** where higher grip control and higher resistance are needed:
 - **Effective grip control** with the differential lock on the front axle. It can be activated automatically or manually controlled with the left foot.
 - **No overheating** because the differential lock does not slip
 - **Higher resistance** with heavy duty front and rear axles.

For even more reliability, we have invented the COOLING BOX that keeps constant the cooling fluids temperature.

LESS MAINTENANCE WITH THE COOLING BOX

On most of the wheel loaders, the radiators are overlapping, at New Holland we have taken them and made a box out of it. A better cooling makes longer the life of the oil by about 500 hours. With better oil wheel loader life is longer as well.



WELCOME ON BOARD



OUTSTANDING VISIBILITY

You'll feel more confident and work faster with the great all-round visibility. The low, curved rear hood shape, possible because with SCR technology there is no need for extra fans for cooling, provides excellent visibility.

GREAT STORAGE SPACE

The overhead radio placement and ample storage space make the cab even more convenient for you.



KING SIZE ACCESS

Access to the cab is easy, safe and comfortable with 4 wide steps, 2 handles and extra wide door.

FEEL CONFIDENT WITH ROPS

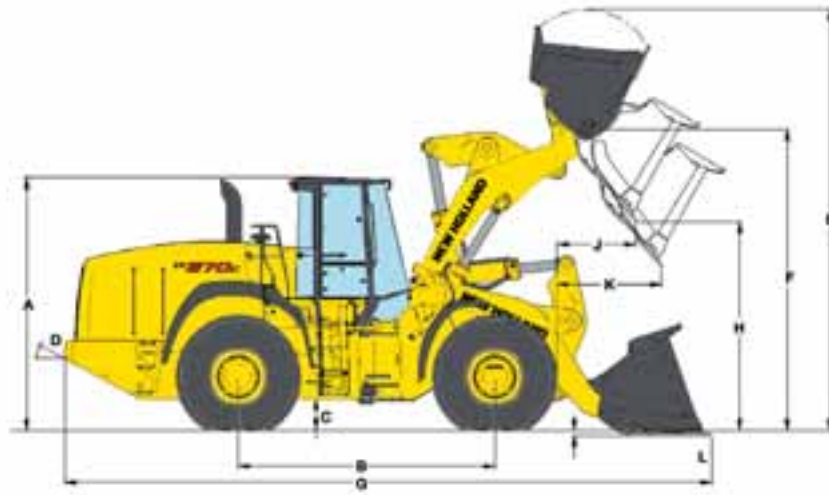
All our wheel loaders' cabs are reinforced and protect the operator against roll over (ROPS certified).

ALL CONTROLS AT YOUR FINGERTIP

The ergonomic positioning of the control panel under your right hand puts the controls at your fingertips, so you can focus on the job.

W270C

DIMENSIONS



DIMENSIONS		
A - Height to top of ROPS cab	mm	3573
B - Wheelbase	mm	3550
C - Ground clearance	mm	435.1
D - Angle of departure	°	26
WIDTH		
Overall* w/o bucket	m	2.99
Centerline tread	m	2.25
Turning radius* - outside	m	6.37
TURNING ANGLE		
From center	°	40
Total angle	°	80
Rear axle oscillation, total	°	26

CYCLE TIME		
Raise w/rated bucket load	sec	6.2
Dump w/rated bucket load	sec	1.3
Lower (empty)		
Power down	sec	2.8
Float down	sec	2.6

* NOTE: Dimensions taken with 26.5R25 Michelin XHA2 tires.



PERFORMANCE DATA

W270C Z-Bar		3.6 m ³ BUCKET		4.2 m ³ BUCKET		4.4 m ³ FLAT BOTTOM BUCKET*	
		w/bolt-on edge	w/bolt-on teeth	w/bolt-on edge	w/bolt-on teeth	w/bolt-on edge	w/bolt-on teeth
SAE bucket capacity - struck	m ³	3.11	2.96	3.63	3.49	3.80	3.65
SAE bucket capacity - heaped	m ³	3.63	3.49	4.20	4.06	4.40	4.23
Bucket width - outside	mm	3195	3195	3195	3195	2980	2980
Bucket weight	kg	2160	2143	2286	2268	2480	2321
E - Operating height - fully raised w/spillguard	mm	5676	5676	5800	5800	5942	5942
F - Hinge pin height - fully raised	mm	4243	4243	4243	4243	4243	4243
G - Overall length - bucket level on ground	mm	8774	8955	8892	9073	8979	9133
Dump angle - fully raised	°	53	53	53	53	53	53
H - Dump height - fully raised, 45° dump	mm	3151	3035	3075	2959	3019	2920
J - Bucket reach - fully raised, 45° dump	mm	1175	1313	1265	1404	1332	1450
K - Bucket reach - 2.13 m height, 45° dump	mm	1828	1918	1887	1974	1930	2001
Operating load - SAE	kg	8011	8076	7938	8001	7841	8005
Maximum material density - SAE	kg/m ³	2207	2317	1890	1971	1782	1894
Tipping load - SAE							
Straight	kg	19 184	19 335	19 046	19 193	18857	19219
40° turn	kg	16 021	16 151	15 876	16 002	15682	16018
Lift capacity -							
Full height	kg	14 143	14 130	14 027	14 016	13840	13950
Maximum reach	kg	20 221	20 253	20 094	20 126	1901	20082
Ground	kg	23 898	24 156	23 413	23 659	23000	23479
Breakout force w/tilt cylinder	kg	22 616	24 406	20 456	21 922	19092	20963
Maximum rollback -							
Ground	°	45	45	45	45	45	45
Carry position	°	49	49	49	49	49	49
@ Maximum reach	°	69	69	69	69	69	69
@ Full height	°	65	65	65	65	65	65
L - Dig depth	mm	126	126	126	126	126	126
Maximum grading angle w/bucket - back dragging	°	61	60	60	60	60	60
Loader clearance circle	mm	14 117	14 213	14 179	14 278	14031	14117

Note: bucket specification can slightly differ according to plant source. More bucket choice is available, please contact your local dealer.

*4.4m³ flat bottom bucket is available only from Lecce (IT) plant.

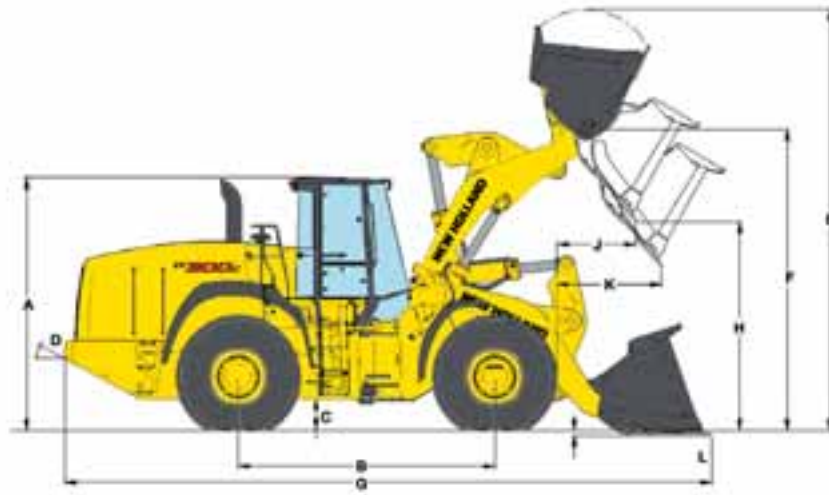
W270C LONG REACH		3.6 m ³ BUCKET		4.2 m ³ BUCKET		4.4 m ³ FLAT BOTTOM BUCKET*	
		w/bolt-on edge	w/ w/bolt-on teeth	w/bolt-on edge	w/ w/bolt-on teeth	w/bolt-on edge	w/ w/bolt-on teeth
E - Operating height - fully raised w/spillguard	mm	6258	6258	6382	6382	6523	6524
F - Hinge pin height - fully raised	mm	4825	4825	4825	4825	4825	4825
G - Overall length - bucket level on ground	mm	9292	9473	9410	9581	9498	9651
Dump angle - fully raised	°	50	50	50	50	50	50
H - Dump height - fully raised, 45° dump	mm	3733	3617	3657	3541	3600	3502
J - Bucket reach - fully raised, 45° dump	mm	1187	1326	1277	1416	1345	1462
K - Bucket reach - 2.13 m height, 45° dump	mm	2294	2391	2357	2451	2403	2481
Operating load - SAE	kg	6817	6868	6727	6778	6615	6765
Maximum material density - SAE	kg/m ³	1878	1933	1602	1670	1504	1600
Tipping load - SAE							
Straight	kg	16 369	16 492	16 178	16 238	1594	16267
40° turn	kg	13 633	13 737	13 454	13 556	13229	13530
Lift capacity-							
Full height	kg	12 736	12 730	12 616	12 612	12426	12546
Maximum reach	kg	17 493	17 532	17 362	17 401	17164	17357
Ground	kg	19 255	19 441	18 858	19 034	18447	18888
Breakout force w/tilt cylinder	kg	22 842	24 650	20 661	22 142	19282	21170
Maximum rollback -							
Ground	°	42	42	42	42	42	42
Carry position	°	48	48	48	48	48	48
@ Maximum reach	°	67	67	67	67	67	67
@ Full height	°	66	66	66	66	66	66
L - Dig depth	mm	129	129	129	129	129	129
Maximum grading angle w/bucket - back dragging	°	63°	62°	62°	62°	62°	62°
Loader clearance circle	mm	14 613	14 726	14 687	14 801	14553	14653

Note: bucket specification can slightly differ according to plant source. More bucket choice is available, please contact your local dealer.

*4.4m³ flat bottom bucket is available only from Lecce (IT) plant.

W300C

DIMENSIONS



DIMENSIONS		
A - Height to top of ROPS cab	mm	3573
B - Wheelbase	mm	3550
C - Ground clearance	mm	429.5
D - Angle of departure	°	26
WIDTH		
Overall* w/o bucket	m	2.99
Centerline tread	m	2.25
Turning radius* - outside	m	6.37
TURNING ANGLE		
From center	°	40
Total angle	°	80
Rear axle oscillation, total	°	26

CYCLE TIME			
Raise w/rated bucket load	sec		6.2
Dump w/rated bucket load	sec		1.4
Lower (empty)			
Power down	sec		2.8
Float down	sec		2.6

* NOTE: Dimensions taken with 26.5R25 Michelin XHA2 tires.



PERFORMANCE DATA

W300C Z-Bar		4.0 m ³ BUCKET		4.8 m ³ BUCKET		5.0 m ³ FLAT BOTTOM BUCKET*	
		w/bolt-on edge	w/ w/bolt-on teeth	w/bolt-on edge	w/ w/bolt-on teeth	w/bolt-on edge	w/ w/bolt-on teeth
SAE bucket capacity - struck	m ³	3.46	3.31	4.17	4.01	4.40	4.14
Heaped	m ³	4.01	3.87	4.78	4.63	5.00	4.83
Bucket width - outside	mm	3195	3195	3195	3195	3175	3175
Bucket weight	kg	2239	2221	2414	2397	2643	2469
E - Operating height - fully raised w/spillguard	mm	5960	5960	6120	6120	6199	6199
F - Hinge pin height - fully raised	mm	4443	4443	4442	4442	4442	4442
G - Overall length - bucket level on ground	mm	8967	9148	9113	9300	9289	9289
Dump angle - fully raised	°	50	50	50	50	50	50
H - Dump height - fully raised, 45° dump	mm	3299	3183	3201	3085	3092	3092
J - Bucket reach - fully raised, 45° dump	mm	1157	1296	1273	1412	1403	1403
K - Bucket reach - 2.13 m height, 45° dump	mm	1965	2054	2040	2124	2119	2119
Operating load - SAE	kg	8961	9031	8856	8921	8748	8929
Maximum material density - SAE	kg/m ³	2235	2335	1853	1926	1750	1849
Tipping load - SAE							
Straight	kg	21 150	21 310	20 949	21 099	20753	21123
40° turn	kg	17 923	18 062	17 713	17 843	17495	17857
Lift capacity -							
Full height	kg	15 017	15 007	14 853	14 844	14623	14751
Maximum reach	kg	21 991	22 026	21 813	21 846	21586	21785
Ground	kg	26 363	26 620	25 732	25 970	25502	25984
Breakout force w/tilt cylinder	kg	25 542	27 431	22 661	24 151	24269	24443
Maximum rollback -							
Ground	°	45	45	45	45	45	45
Carry position	°	51	51	51	51	51	51
@ Maximum reach	°	68	68	68	68	68	68
@ Full height	°	65	65	65	65	65	65
L - Dig depth	mm	118	118	118	118	119	119
Maximum grading angle w/bucket - back dragging	°	60	60	60	60	60	60
Loader clearance circle	mm	14 271	14 367	14 352	14 451	14427	14426

Note: bucket specification can slightly differ according to plant source. More bucket choice is available, please contact your local dealer.

*5m³ flat bottom bucket is available only from Lecce (IT) plant.

W3000C LONG REACH		4.0 m ³ BUCKET		4.8 m ³ BUCKET		5.0 m ³ FLAT BOTTOM BUCKET*	
		w/bolt-on edge	w/ w/bolt-on teeth	w/bolt-on edge	w/ w/bolt-on teeth	w/bolt-on edge	w/ w/bolt-on teeth
E - Operating height - fully raised w/spillguard	mm	6377	6377	6537	6537	6616	6616
F - Hinge pin height - fully raised	mm	4860	4860	4860	4860	4860	4860
G - Overall length - bucket level on ground	mm	9374	9555	9526	9707	9696	9696
Dump angle - fully raised	°	50	50	50	50	50	50
H - Dump height - fully raised, 45° dump	mm	3717	3600	3619	3503	3509	3510
J - Bucket reach - fully raised, 45° dump	mm	1200	1338	1316	1454	1446	1446
K - Bucket reach - 2.13 m height, 45° dump	mm	2335	2430	2415	2505	2500	2500
Operating load - SAE	kg	7882	7941	7753	7808	7648	7810
Maximum material density - SAE	kg/m ³	1966	2053	1622	1686	1529	1617
Tipping load - SAE							
Straight	kg	18 596	18 732	18 319	18 449	18100	18456
40° turn	kg	15 765	15 881	15 506	15 616	15286	15620
Lift capacity-							
Full height	kg	14 358	14 357	14 189	14 188	13959	14100
Maximum reach	kg	19 764	19 808	19 578	19 620	19351	19564
Ground	kg	22 150	22 350	21 598	21 783	21368	21782
Breakout force w/tilt cylinder	kg	25 790	27 698	22 883	24 387	24508	24682
Maximum rollback -							
Ground	°	42	42	42	42	42	42
Carry position	°	49	49	49	49	49	49
@ Maximum reach	°	66	66	66	66	66	66
@ Full height	°	66	66	66	66	66	66
L - Dig depth	mm	118	118	119	119	119	119
Maximum grading angle w/bucket - back dragging	°	63	62	62	62	62	62
Loader clearance circle	mm	14 663	14 777	14 759	14 875	19850	19850

Note: bucket specification can slightly differ according to plant source. More bucket choice is available, please contact your local dealer.

*5m³ flat bottom bucket is available only from Lecce (IT) plant.

W270C

SPECIFICATIONS



ENGINE TIER 2

Max Power Range-

Gross @ Rated.....	290 hp (216 kW) @ 2100
Peak Gross.....	320 hp (239 kW) @ 1800 rpm
Net @ Rated.....	262 hp (195 kW) @ 2100 rpm
Max Power.....	296 hp (221 kW) @ 1800 rpm

NOTE: Gross horsepower and torque per SAE J1995

Net horsepower and torque per SAE J1349

Torque

Gross.....	1479 Nm @ 1200 rpm
Net.....	1435 Nm @ 1200 rpm
Torque rise.....	50%
Make.....	New Holland/FPT
Model.....	F2CFE614C Tier 2 certified
Type.....	4-stroke, turbocharged
Cylinders.....	6-cylinder in-line
Bore/Stroke.....	177 x 135 mm
Displacement.....	8.7 l

Fuel.....2 Diesel (#1 & 2 mixture permitted for cold temperature)

Does not require ultra-low sulfur fuel B5 biodiesel tolerant

Fuel injection.....Direct injection (electronic)

Fuel filter.....Replaceable, full flow spin-on cartridge

Fuel pump.....Bosch CP 3.3

Gradeability.....35° fore /aft & side to side

Air filter.....2-element dry-type w/warning restriction indicator

Rear-mount cooling module External independent mounted (non-stacked) coolers

Fan - Hydraulic driven

Style.....9 blade puller

Diameter.....876 mm

Water pump.....Integral

Engine oil

Pump.....Deep sump plate cooler with pressurized under-piston nozzles

Pump operating angles

Side-to-side.....35°

Fore and aft.....35°

Oil filtration.....Replaceable, full flow, spin-on cartridge

Engine speeds (rpm)

Rated speed, full load.....2100

Horsepower



DRIVETRAIN

Transmission

4F/3R Proportional w/Electronic Control Module torque sensing autoshift/manual shift and modulation

Gears.....Helical cut

Torque converter

Stall ratio.....3.089:1

Differential.....Open on front and rear axles

Rear axle oscillation.....26° total

Front and rear axles	Front	Rear
----------------------	-------	------

Differential ratio	4.25	4.5
--------------------	------	-----

Planetary ratio	6.35	6.0
-----------------	------	-----

Final axle ratio	27.0	27.0
------------------	------	------

Special application axles (optional)

Front axle equipped with locking differential

Rear axle equipped with open differential

Planetaries.....Outboard

4 speed transmission travel speeds (km/h w/26.5 x 25 XHAT tires)

	Forward	Reverse
--	---------	---------

1st	7.0	7.0
-----	-----	-----

2nd	11.6	11.6
-----	------	------

3rd	17.4	24.6
-----	------	------

4th	35.4	-
-----	------	---

NOTE: Travel speeds at full engine throttle.

Parking brakes

Spring-applied hydraulic release disc on transmission output shaft

Service brakes

Hydraulically actuated, maintenance-free, multiple wet disc w/accumulator to all four wheels

Brake surface area

Standard axle

Front hub.....0.542 m²

Rear hub.....0.542 m²

Optional HD axle

Front hub.....0.738 m²

Rear hub.....0.542 m²



OPERATING WEIGHT (Kg)

Z-Bar

Unit equipped with ROPS cab with heater and A/C, standard counterweight, 26.5R25 XHA2 tires, 4.0 m³ pin on w/bolt on edge, full fuel, 79 kg operator.....24 400 kg

LONG REACH

Unit equipped with ROPS cab with heater and A/C, full counterweight, 26.5R25 XHA2 tires, 4.0 m³ pin on w/bolt on edge, full fuel, 79 kg operator.....25 700 kg



ELECTRICAL SYSTEM

Voltage.....24 Volts, negative ground

Alternator.....95 amp

Batteries.....(2) 12-Volt



HYDRAULIC SYSTEM

Pump (steering/implement)

Closed center pressure/flow compensated

Variable displacement, load-sensing.....352 l/min @ 2000 rpm

Loader control valve

Closed-center, sectional 2, 3 or 4-function with pilot control for lift, tilt and auxiliary hydraulics, electromagnetic detents in float, raise and rollback

Loader auxiliary steering

Hydraulic orbital center-pivot articulating w/on-demand oil flow

High pressure standby

Implement.....25 165 kPa

Steering.....24 097 kPa

Filtration

10-micron, full flow replaceable cartridges on return line, condition indicator light for filter



CYLINDERS

Lift cylinder

Bore diameter.....177.8 mm

Rod diameter.....114.3 mm

Stroke.....780.6 mm

Dump cylinder

Bore diameter.....203.2 mm

Rod diameter.....127.0 mm

Stroke.....581.9 mm



CAPACITIES

Fuel tank.....473 l

Hydraulic system

Total.....250 l

Reservoir.....134 l

Transmission

Service w/filter.....45.4 l

Front and rear axle (standard)

Front axle.....42.1 l

Rear axle.....45.7 l

Engine oil w/filter.....26.5 l

Cooling system.....56.8 l

W300C

SPECIFICATIONS



ENGINE TIER 2

Max Power Range-

Gross @ Rated.....	315 hp (235 kW) @ 2100
Peak Gross.....	347 hp (259 kW) @ 1800 rpm
Net @ Rated.....	284 hp (212 kW) @ 2100 rpm
Max Power.....	320 hp (239 kW) @ 1800 rpm

NOTE: Gross horsepower and torque per SAE J1995

Net horsepower and torque per SAE J1349

Torque

Gross.....	1604 Nm @ 1200 rpm
Net.....	1557 Nm @ 1200 rpm
Torque rise.....	50%
Make.....	New Holland/FPT

Model..... F2CFE614B Tier 2 certified
Type..... 4-stroke, turbocharged

Cylinders..... 6-cylinder in-line
Bore/Stroke..... 177 x 135 mm
Displacement..... 8.7 l

Fuel..... 2 Diesel (#1 & 2 mixture permitted for cold temperature)

Does not require ultra-low sulfur fuel B5 biodiesel tolerant

Fuel injection..... Direct injection (electronic)

Fuel filter..... Replaceable, full flow spin-on cartridge

Fuel pump..... Bosch CP 3.3

Gradeability..... 35° fore /aft & side to side

Air filter..... 2-element dry-type w/warning restriction indicator
Rear-mount cooling module External independent mounted (non-stacked) coolers

Fan - Hydraulic driven

Style..... 9 blade puller

Diameter..... 876 mm

Water pump..... Integral

Engine oil

Pump..... Deep sump plate cooler with pressurized under-piston nozzles

Pump operating angles

Side-to-side..... 35°

Fore and aft..... 35°

Oil filtration..... Replaceable, full flow, spin-on cartridge

Engine speeds (rpm)

Rated speed, full load..... 2100



DRIVETRAIN

Transmission

4F/3R Proportional w/Electronic Control Module torque sensing autoshift/manual shift and modulation

Gears..... Helical cut

Torque converter

Stall ratio..... 2.511:1

Differential..... Open on front and rear axles

Rear axle oscillation..... 24° total

Front and rear axles

Differential ratio..... 4.25

Planetary ratio..... 6.35

Final axle ratio..... 27.0

Special application axles (optional)

Front axle equipped with locking differential

Rear axle equipped with open differential

Planetaries..... Outboard

4 speed transmission travel speeds (km/h w/26.5 x 25 XHAT tires)

	Forward	Reverse
1st	6.9	6.9
2nd	11.6	11.6
3rd	17.7	25.5
4th	37.4	-

NOTE: Travel speeds at full engine throttle.

Parking brakes

Spring-applied hydraulic release disc on transmission output shaft

Service brakes

Hydraulically actuated, maintenance-free, multiple wet disc w/accumulator to all four wheels

Brake surface area

Front hub (each)..... 0.738 m²

Rear hub (each)..... 0.738 m²



OPERATING WEIGHT (Kg)

Z-Bar

Unit equipped with ROPS cab with heater and A/C, standard counterweight, 26.5R25 XHA2 tires, 4.8 m³ pin on w/bolt on edge, full fuel, 79 kg operator..... 26 849 kg

LONG REACH

Unit equipped with ROPS cab with heater and A/C, full counterweight, 26.5R25 XHA2 tires, 4.8 m³ pin on w/bolt on edge, full fuel, 79 kg operator..... 27 613 kg



ELECTRICAL SYSTEM

Voltage..... 24 Volts, negative ground

Alternator..... 95 amp

Batteries..... (2) 12-Volt



HYDRAULIC SYSTEM

Pump (steering/implement)

Closed center pressure/flow compensated

Variable displacement, load-sensing..... 380 l/min @ 2000 rpm

Loader control valve

Closed-center, sectional 2, 3 or 4-function with pilot control for lift, tilt and auxiliary hydraulics, electromagnetic detents in float, raise and rollback

Loader auxiliary steering

Hydraulic orbital center-pivot articulating w/on-demand oil flow

High pressure standby

Implement..... 25 165 kPa

Steering..... 24 097 kPa

Filtration

10-micron, full flow replaceable cartridges on return line, condition indicator light for filter



CYLINDERS

Lift cylinder

Bore diameter..... 177.8 mm

Rod diameter..... 114.3 mm

Stroke..... 875.81 mm

Dump cylinder

Bore diameter..... 203.2 mm

Rod diameter..... 127.0 mm

Stroke..... 694.7 mm



CAPACITIES

Fuel tank..... 473 l

Hydraulic system

Total..... 250 l

Reservoir..... 134 l

Transmission

Service w/filter..... 45.4 l

Front and rear axle

Front axle..... 64.0 l

Rear axle..... 67.7 l

Engine oil w/filter..... 26.5 l

Cooling system..... 56.8 l



AT YOUR OWN DEALERSHIP

The information contained in this brochure is intended to be of general nature only. The NEW HOLLAND CONSTRUCTION MACHINERY S.p.A. company may at any time and from time to time, for technical or other necessary reasons, modify any of the details or specifications of the product described in this brochure. Illustrations do not necessarily show products in standard conditions. The dimensions, weights and capacities shown herein, as well as any conversion data used, are approximate only and are subject to variations within normal manufacturing techniques.

Printed in Italy - MediaCross Firenze - Cod IRI1416NCGB - Printed 10/12

Printed on recycled paper
CoC-FSC 000010 CQ Mixed sources



ELEMENTAL
CHLORINE
FREE
GUARANTEED



BUILT AROUND YOU

WWW.NEWHOLLAND.COM