

# B90B



## NEW HOLLAND BACKHOE LOADER



**COMFORT AND SAFETY**



**A RELIABLE BACKHOE**



**AN EFFECTIVE LOADER**

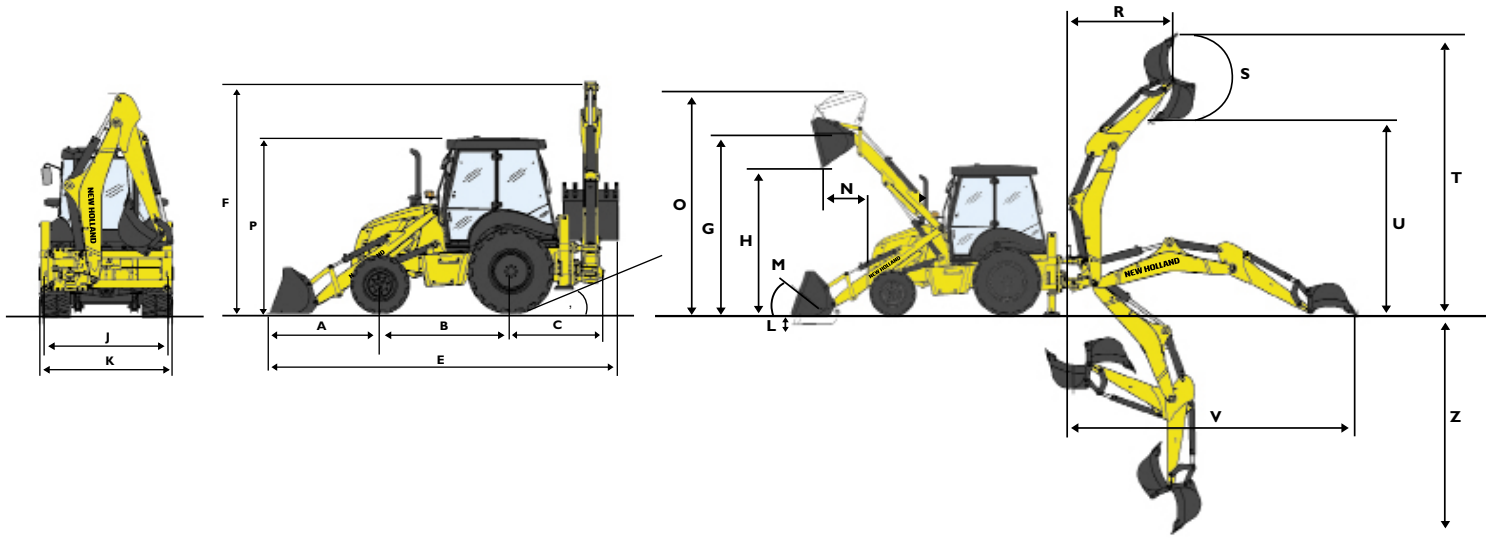


**EASY MAINTENANCE ACCESS**

# B90B



BUILT AROUND YOU



## OVERALL DIMENSIONS

		Straight Loader Arm			
		1,00mc	4x1 - 1mc	6x1 - 1mc	
A	Loader bucket reach	mm	1870	1870	1870
B	Wheelbase	mm	2175	2175	2175
C	Rear wheel base	mm	1120	1120	1120
E	Overall length	mm	N/A	N/A	N/A
F	Overall height, travel position	mm	3875	3875	3875
P	Cab height	mm	2950	2950	2950
	Loader bucket width	mm	2248	2248	2248
J	Stabiliser width	mm	2250	2250	2250
K	Loader bucket width	mm	2950	2950	2950

## LOADER SPECIFICATIONS

		Straight Loader Arm			
		1,00mc	4x1 - 1mc	6x1 - 1mc	
	Maximum loader bucket breakout force	daN	6340	6220	6220
	Lifting capacity to maximum height	kg	3553	3290	3185
L	Digging depth	mm	100	100	100
M	Roll back at ground line	°	39.2	39.2	39.2
N	Dump reach @ 45° dump angle	mm	706	706	706
O	Overall operating height	mm	4309	4478	4478
G	Height to bucket hinge pin	mm	3481	3481	3481
H	Dump height @ 45° dump angle	mm	2784	2784	2784

## BACKHOE SPECIFICATIONS

		Standard Dipper		
		Short Dipper	Long Dipper	
	Bucket breakout force	daN	5516	5516
	Dipper breakout force	daN	3766	3225
R	Digging reach (at max. height) bucket open	mm	2263	2489
S	Total bucket rotation	°	203	203
T	Digging reach (at max. height) bucket open	mm	5425	5616
U	Loading height (at max. height) bucket closed	mm	3570	3763
V	Digging Radius	mm	5579	5831
Z	Digging Depth (0.6 m level bottom)	mm	4344	4632

610 mm standard backhoe bucket

## SPECIFICATIONS

### MAIN FEATURES

2-wheel steer
Powershuttle Transmission
4.5 litre FPT Industrial engine, 4 Cylinder Diesel, Direct Injection, Turbo aftercooler
97 hp @ 2200 rpm

### HYDRAULICS

Type of pump	Twin Gear Pump
Maximum flow	151 l/min @ 2200 rpm

### BATTERY

12V 95Ah, 900 A - 120 A
-------------------------

### OPERATING WEIGHT

SAE Transport W/O Operator, Bent Loader Arm, 4x1 Loader Bucket, NO A/C, Cab, Dual Batteries, Standard Front Counter Weight, 4WVD, Full of Fuel,	8080 kg
---	---------

### AXLES, TYRES & BRAKE

Brakes:	Power Brake with 2472 cm <sup>2</sup> friction area
Tires can be multipurpose, hard soil specific or soft soil specific	
Tires	18" front - 26/28" rear

### CAPACITIES

Fuel tank	125.9 l
Cooling system	24 l

### EMISSIONS g/kWh

NOx emissions	4.35
HC emissions	0.16
CO emissions	0.88
Particulate	0.77

### NOISE

Internal (dB(A))	77
External (dB(A))	102

### VIBRATION LEVELS

Upper limbs	2.5 m/s <sup>2</sup>
Abdomen	0.5 m/s <sup>2</sup>