

C327 - C332 - C345 - C362 - COMPACT TRACK LOADER



**POWERFULLY COMPACT
MACHINES**



MEET YOUR CHALLENGES HEAD-ON.

It's no easy task to run a farm, manage multiple jobsites, schedule around unpredictable weather or find top-notch equipment operators — let alone ensure a strong profit margin. But somehow, you find ways to meet these challenges every day and succeed. At New Holland, we're right there with you, whatever the job. We're committed to helping you meet your challenges head-on by building best-in-class equipment, integrating continuous improvements into every machine and providing a strong, trusted support network.

The 300 Series compact track loaders is proof positive that New Holland understands your business. These 74 to 114 gross HP loaders deliver all the quality, innovation, and performance you could ask for, so you can meet your challenges head-on.



Work with proven performance

Some things are a given. New Holland compact track loaders are known for delivering outstanding lift and breakout force, rock-solid stability and the industry's best visibility. Their Super Boom® vertical lift linkage provides more dump height and reach—and always has. Operator comfort is second to none, with a cab that simply provides more head and shoulder room to accommodate any operator. And service? It's all about easy access to maintenance points, which reduces downtime and lost revenue.

	MODEL	Gross Horsepower hp (kW)		Rated Operating Capacity @ 50% Tipping Weight kg	Operating Weight kg	Height to Hinge Pin mm	Dump Reach Maximum Height mm
Radial Lift	C327	74	(55)	1225	3750	3178	566
Super Boom Vertical Lift	C332	74	(55)	1451	4370	3330	941
	C345	90	(67)	2041	4813	3344	802
	C362	114	(85)	2812	7311	3562	990



Enjoy every enhanced detail

Seemingly small upgrades to key components and systems improves overall operation. HVAC hoses are steel-braided for more durability. The seat belt buckle offers greater flex for more comfort. Turn signals are integrated into the light bar for better on-road safety. Bluetooth radio is standard. Thicker seals in the clean-out area keep out dirt. Straight-line tracking is even better, with deviation reduced to 0,6m over 30m. of travel and less need for manual adjustment. This allows you to maintain a straighter travel and working path when working with attachments. For even more productivity, available creep mode lets you trench, cold-plane or cut brush with greater precision at slower speeds.



More information, more visibility

The customisable eight-inch LCD display with an integrated back-up camera gives you a quick look at engine settings and performance information, all while providing greater visibility to the rear of the machine for safer operation. In fact, when you combine the display system with the large rear window, low engine hood and no rear frame towers, the 300 Series offers an unprecedented view out the back.

FINISH THE TOUGHEST JOBS FASTER.

Every area of a New Holland 300 Series compact track loader is designed to make your workday more productive and comfortable. Give one of these loaders a tough job and it'll help you get it done fast.

Integrated turn signals increase road safety, while front halogen lights expand visibility for easier load positioning and maneuverability

Huge glass door for superior visibility to all corners

Creep mode is available for more precise trenching

Lower front door threshold for easier entry and exit.

Whatever you need to do—dig, lift, hammer, trench, plane, mow, sweep, rake or drill—there is a New Holland attachment that will get your work done.



See-through area on the cab roof for a clear view to the bucket at full height

Among the widest cabs in the industry

Super Boom® vertical lift linkage provides more performance and visibility

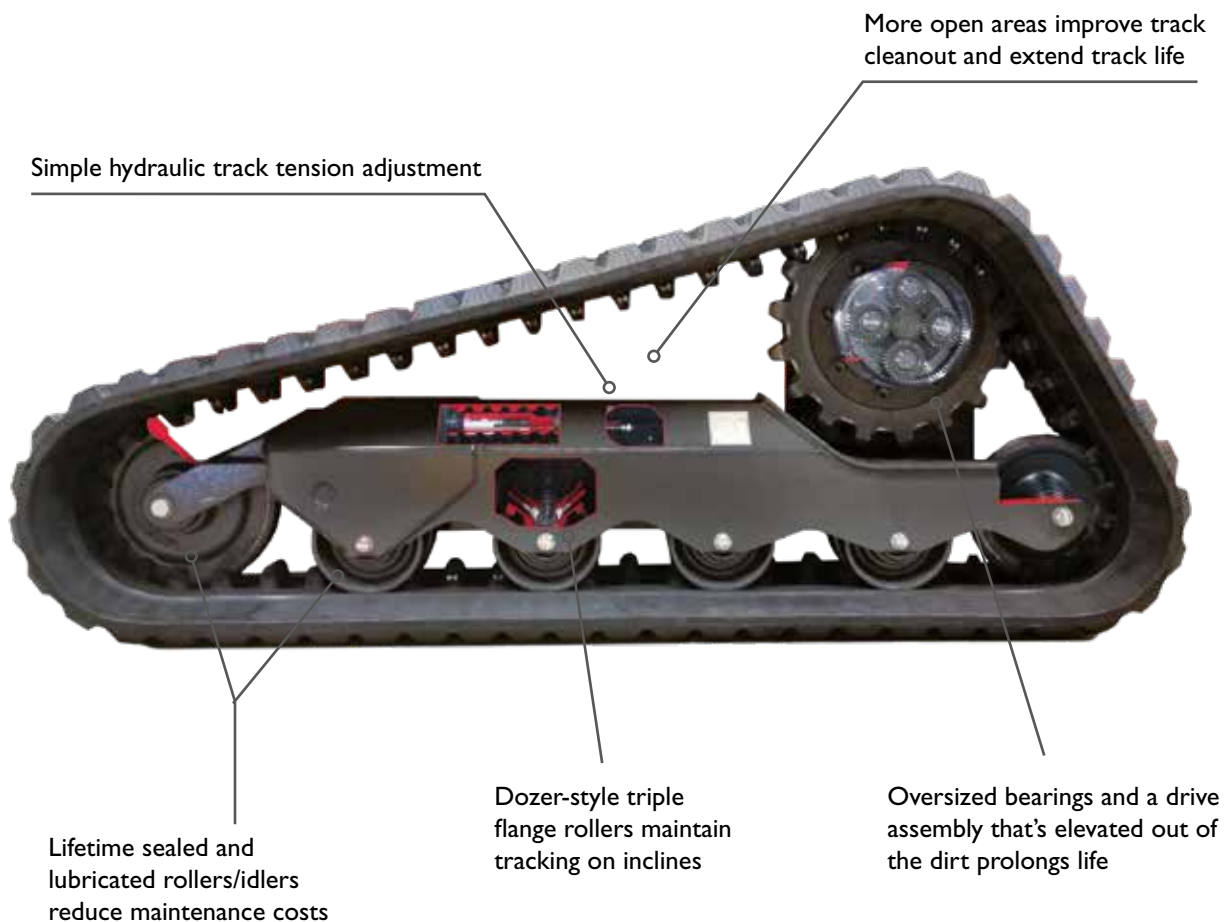
Fewer moving parts extends track life to maximise uptime. Suspension tracks are optional on certain models.

LOW-PROFILE DESIGNS EXTEND TRACK LIFE, SMOOTH OUT THE RIDE.

The low-profile track undercarriage on 300 Series compact track loaders eases cleanout, reduces noise and increases durability. It also provides a smoother ride, thanks to steel-embedded tracks rolling on the rubber instead of steel. In addition, fewer moving parts than competitive designs mean less complexity—and complications—which adds up to longer track life.

MODEL	TRACK WIDTH	OVER TRACK WIDTH	GROUND PRESSURE
C327	0.32 m	1.67 m	5.9 psi
C332	0.45 m	1.94 m	4.2 psi
C345	0.45 m	1.93 m	4.6 psi
C362	0.45 m	1.98 m	6.1 psi

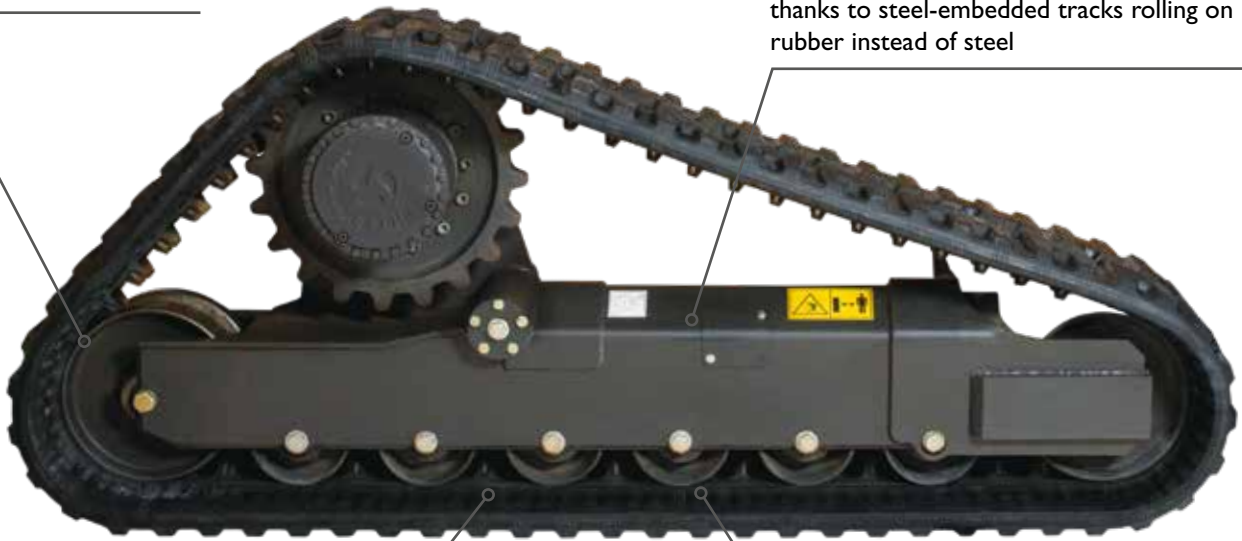
Standard two-speed drive—featured on all models except the C362



C362 undercarriage

Durable dual flange idlers reduce maintenance costs

Large, low-profile undercarriage provides extended track life and a smoother ride, thanks to steel-embedded tracks rolling on rubber instead of steel



Long 64.5" track base

Six dozer-style triple flange rollers maintain tracking on inclines

TerraGlide™ track suspension

Optional on C345 and C362 track models, the TerraGlide™ track suspension is rigid-mounted to the loader chassis and features rollers mounted on durable, pivoting bogeys. The result is a rugged, comfortable suspension that cushions the ride, doesn't deflect under load, and performs reliably for years without maintenance.

- **Bogey-style design:** the C345 models feature two bogeys and four rollers; the C362 features three bogeys and six rollers
- **Suspension system is maintenance-free** and built to increase track life, reducing ownership costs
- **Delivers better tractive performance,** even in the toughest terrain and conditions

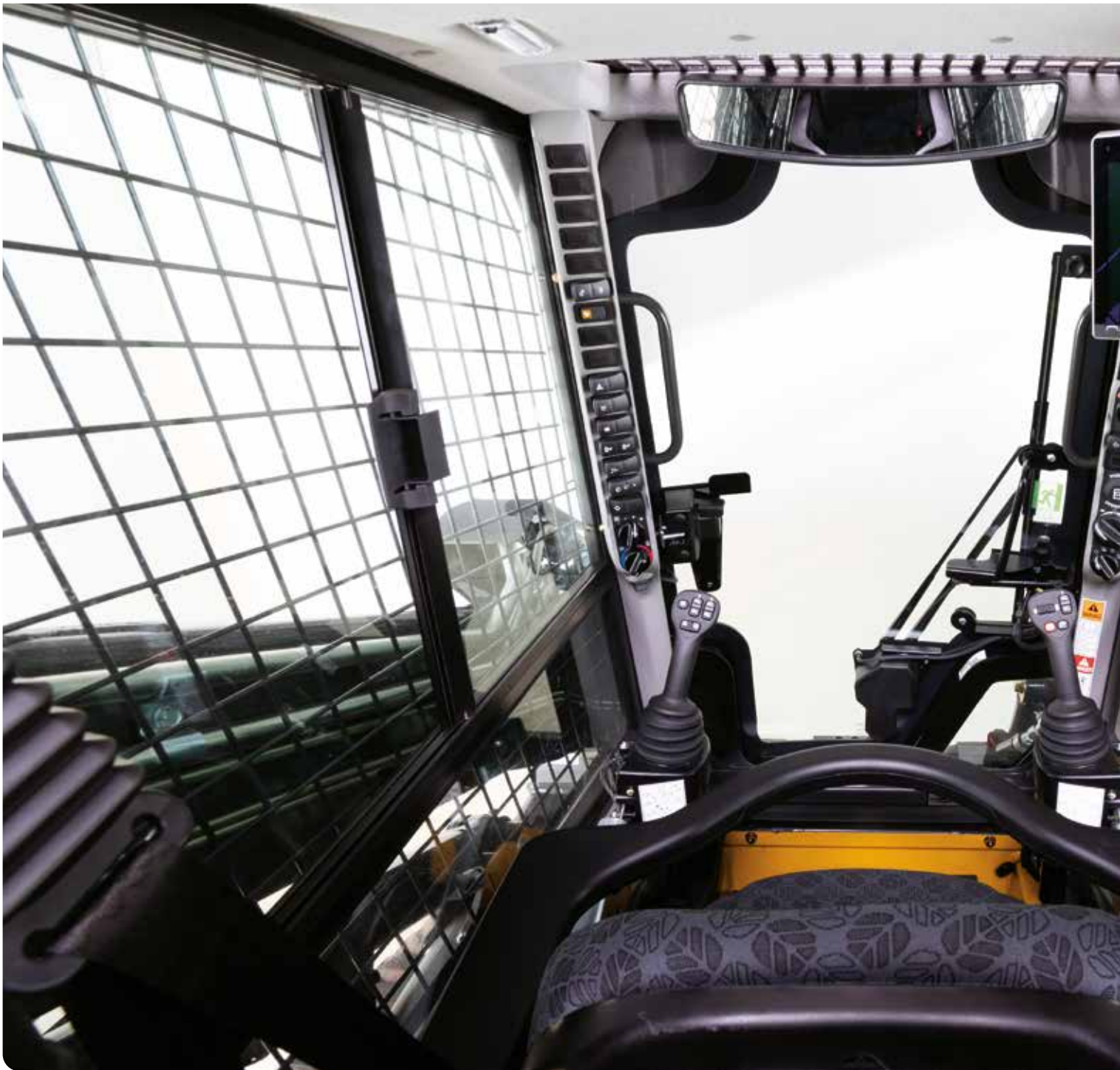


WORK COMFORTABLY IN ONE OF THE WIDEST CABS.

New Holland 300 Series loaders make comfort a priority, making you more productive on the job.

More comfort starts with the cab itself, one of the widest in the industry. It's easy to enter and exit. Full-covering trim absorbs noise, and the visibility panel on the cab roof gives you a clear view in all directions, even to the raised bucket or attachments.

The fully sealed and pressurised cab minimises dust and exhaust infiltration.



Seat choices include the optional suspension seat or the heated, composite air-ride seat for maximum support and ultimate comfort. An optional, factory-installed lap bar is offered on all 300 Series models.

All loader models feature an eight-inch LCD display with integrated rear camera, Bluetooth radio (satellite-radio ready) and a USB port.



Customised control

Ergonomically designed joysticks allow for a lower-profile control grip and feature soft buttons to reduce fatigue in the thumbs. Pods positioned below the joysticks provide more room between the operator's knees. Mechanical controls are standard, while electro-hydraulic switchable (ISO-H pattern) controls are optional on all models.

Models built with EH (electrohydraulic) controls feature multiple speed and sensitivity settings, allowing operators to personalise the controls depending on their preferences. You can adjust armrests up or down, and EH control mounts have both vertical and horizontal adjustment to fit any operator. Auto Ride Control, which is available as an option on all EH models, helps you easily stabilise materials. It automatically engages depending on the ground speed set by the operator.



KEEP A CLOSE EYE ON OPERATIONS AND SURROUNDINGS.

The LCD display with an integrated back-up camera helps you operate a 300 Series loader with greater ease and confidence. At eight inches in size and mounted conveniently on the right forward post, the LCD display puts all the information and tools for greater productivity right where you need it.



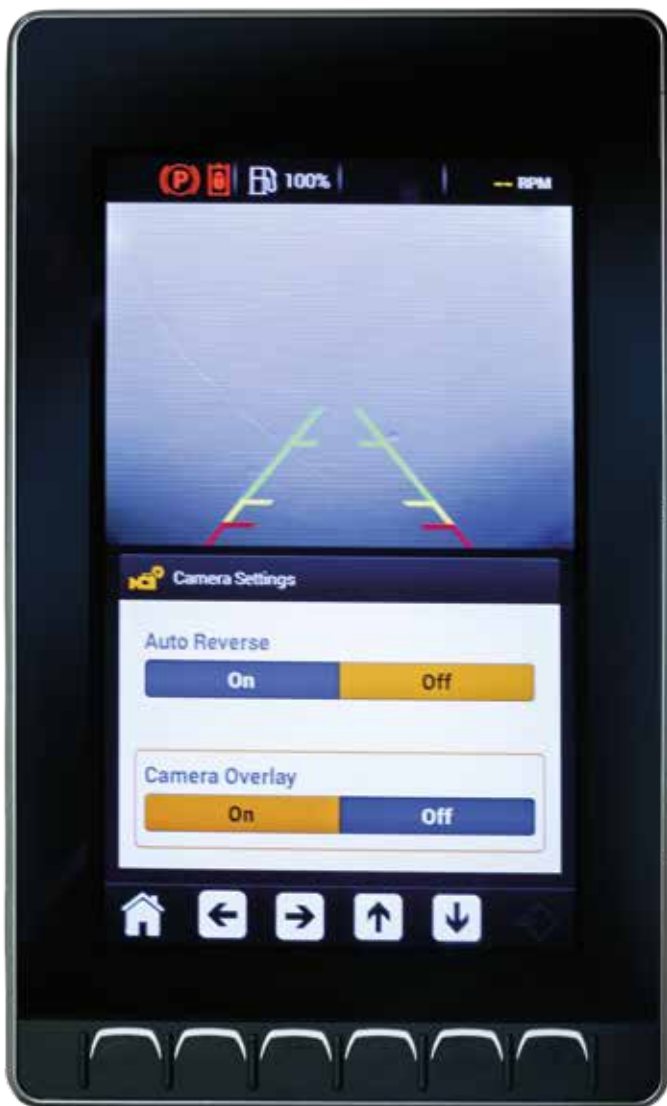
The display provides key operation data, including engine and performance information, RPM, fuel level, battery voltage, hydraulic oil temperature, engine temperature, and trip screen.



The display is easy to navigate and offers simple electro-hydraulic control settings. It's also customisable to an operator's preferences and lets you change settings for seasonal applications.

The integrated back-up camera increases visibility to the rear of the loader, improving operator efficiency and safety. You can set the camera for “always on” or to engage only when shifting the loader into reverse gear.

Engine settings can be viewed at a glance and include Economy Mode, Engine Protection and Ignition Timeout. To maximise the effectiveness of attachments, the eight-inch multifunction display lets you adjust auxiliary hydraulic flow for Standard, High Flow and Enhanced High Flow settings.



Creep mode

Offering speed thresholds of 1 to 100 increments equally divisible between 0 mph to full single speed, creep mode (on EH models only) gives you greater control for slow-speed operations such as trenching. For intense load-and-carry operations, the optional Glide Ride feature prevents loads from shifting during transport.

POWER THROUGH ANY JOB.

300 Series loaders are reliable workhorses that deliver high performance in all conditions. New Holland Tier 4 Final engines not only meet extremely strict emissions requirements that curb airborne nitrogen oxide (NO_x) and particulate matter (PM), they also deliver powerful performance, use less fuel and are easy to maintain to decrease your operating costs.

Fast cycle times, smooth operation

The reliable hydraulic system delivers fast cycle times. In-line hydraulic pumps produce less noise and provide extra-smooth operation. Add the optional high-flow hydraulics on all models to run attachments hour after hour.

The Spring Applied Hydraulic Release (SAHR) parking brake can be released or applied by the press of a button. It's automatically applied when the machine is shut off or when the operator leaves the seat.



FPT F5 engines on the C327, C332 and C362 stand out for their low-cost operation, easy maintenance and excellent performance.

They are turbocharged and feature externally cooled EGR (exhaust gas recirculation) for efficient air handling and high engine power density with the shortest load response time.

The C345 and C362 use Selective Catalytic Reduction (SCR) using Diesel Exhaust Fluid (DEF). All other machines use a DOC that does not require a Diesel Particulate Filter (DPF).

EASY ACCESS, SIMPLIFIED SERVICE.

Easy access makes daily service and maintenance that much easier. Consequently, all daily service points are grouped together, and all major service points can be easily reached by flipping the cab forward.

Get to it

The rear door and hood provide easy service access for periodic maintenance and daily checkpoints. Access engine oil, fuel fill, hydraulic oil, coolant and radiator points without tools, and clean the radiator from either side. Engine oil and filter changes are required every 500 hours, as are changes to the primary fuel filters and hydraulic oil filters. Radiator drain and flush is required only at 2,000-hour intervals.



Simple boom lock boosts safety

On all vertical lift models, you can engage the boom lock from inside the cab for added safety when exiting the machine with the boom up. Always use caution when entering or exiting the cab, and always use boom locks when entering or exiting the cab with the loader arms raised.

All-weather performance

A standard maintenance-free battery provides up to 1,000 cold cranking amps. The single-side battery maintenance layout allows for quick service and fast maintenance activities. Glow plugs and a reliable starter are also standard. The heavy-duty top and bottom oil cooler/radiator configuration provides high cooling capacity under the most extreme conditions.



LIFTING, LOADING, THE LIST GOES ON...

New Holland 300 Series loaders do a lot more than lift and load. Take a look at the wide array of attachments and you'll quickly see how the versatility of these machines can make you more productive. These are just some of the available attachments:

- 4 X 1 Bucket
- Angle Broom
- Augers
- Auto Rake
- Backhoes
- Bale Handler
- Bale Spear
- Brush Grapple
- Chipper
- Cold Planer
- Concrete Bucket
- Concrete Claw
- Dozer Blade
- Grader Blade
- Harley Power Box Rake
- Hopper Broom
- Laser Grader
- Log Grapple
- Manure Forks
- Manure Scraper
- Mulching Head
- Pick-Up Broom
- Post Driver
- Post Puller
- Power Side-Discharge Bucket
- Preparator Landscape Rake
- Rock Bucket
- Root Rake
- Rotary Cutter
- Scrap Grapple
- Silage Defacer
- Silt Fence Installer
- Skid Hoe
- Snow Blade
- Snow Bucket
- Snow Blower
- Snow Pusher
- Steel Tracks
- Stump Grinder
- Tiller
- Tree Shovel
- Tree Spade
- Trencher
- Vibratory Roller



Easy attachment changes

Whatever you need to do, there's a New Holland attachment that will get your work done. An optional hydraulic attachment coupler increases uptime and productivity on the jobsite by allowing operators to quickly and safely exchange attachments.



Auxiliary pressure release

A connect under pressure (CUP) hydraulic manifold is standard equipment on all models and allows for easy hook-up of all hydraulic attachments. By pushing on the fitting, line pressure is released from the machine. Lines can now be relieved without wrenches.

- A.** Hydraulic oil return (case drain)
- B.** Hydraulic oil supply. These fittings slide into manifold and when pressed in, any pressure within the manifold is directed to the hydraulic oil reservoir
- C.** Drain line that flows to the tank
- D.** Pressure vents

Attachment considerations:

- As you evaluate your attachment options, here are some things to consider.
- Sized to machine
 - Specific job to complete
 - Hydraulic flow required



Optional high-flow auxiliaries shown



MAKE YOUR MACHINE YOUR OWN.



REAR DOOR INSERT



DRAWBAR



FOOT CONTROLS



BEACON



SINGLE-POINT LIFT



COUNTER WEIGHT KIT



FOPS LEVEL 2



CYLINDER GUARDS

Extras and upgrades

New Holland offers a variety of important accessories that can be installed easily on either new or used equipment. These can help upgrade an existing unit or customise one for a particular job. New Holland has kits for the 300 Series, but can also provide kits to upgrade previous models whether you are looking to add a weight kit or enclose a cab and add air-conditioning. If your upgrade is more than you are comfortable with, your local New Holland dealer will be happy to install any of our kits.



Plug and play

300 Series loaders are pre-wired to accept any electrical accessory. USB and 12v charge points come standard for easy charging of phones and mobile devices.



FOUR-POINT LIFT (FRONT)



FOUR-CORNER LED STROBE



FOUR-POINT LIFT (REAR)



FRONT DEMO DOOR



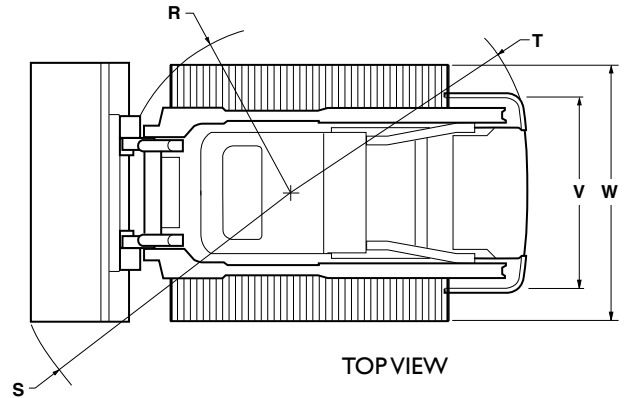
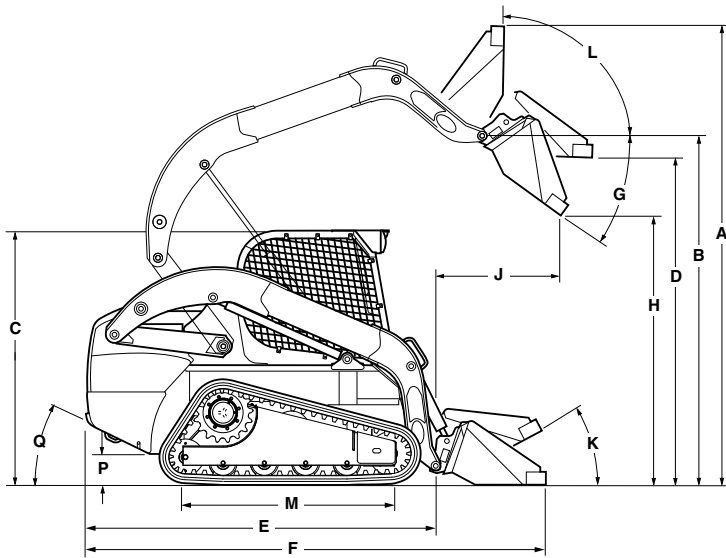
ROAD LIGHT KIT (REAR)



ROAD LIGHT KIT (FRONT)



ATTACHMENT HOSE GUIDE



		C327	
		RADIAL LIFT	
DIMENSIONS			
Overall operating height			
A.	with foundry/excavating bucket short lip	mm	3953
A.	with low profile/standard lip bucket	mm	4059
A.	with low profile extended/long lip bucket	mm	4148
Height to			
B.	Bucket hinge pin	mm	3178
C.	Top of ROPS	mm	1998
D.	Bottom of level bucket, fully raised	mm	2976
Overall length			
E.	without attachment with coupler	mm	2662
F.	with foundry excavation bucket on ground	mm	3292
F.	with low profile bucket	mm	3388
F.	with low profile extended bucket	mm	3512
Dump			
G.	Dump angle	°	38.1
H.	Dump height		
	with foundry/excavating bucket short lip	mm	2556 @ 38.1°
	with low profile/standard lip bucket	mm	2488 @ 38.1°
J.	Dump reach (max height)	mm	568 @ 38.1°
Maximum attachment rollback			
K.	Bucket on ground	°	31
L.	Bucket at full height	°	99
Track and clearance			
M.	Track on ground	mm	1419
P.	Ground clearance (bottom of belly pan)	mm	203
Q.	Angle of departure	°	32
Clearance circle			
R.	without bucket	mm	1346
S.	with foundry bucket in carry position	mm	2187 with 72" bucket
S.	with low profile bucket on ground	mm	2181 with 72" bucket
S.	with extended low profile on ground	mm	2297 with 72" bucket
T.	Clearance circle rear	mm	1501
V.	Track gauge	mm	1356
W.	Overall width	mm	1676



C332	C345	C362
VERTICAL LIFT		
4068	4100	NA
4176	4207	4483
4298	4329	4816
3330	3342	3562
2043	2043	2150
3125	3129	3386
2979	3054	3290
3598	3673	NA
3734	3781	4041
3830	3904	4386
55	45.3	46.1
2655 @ 45°	2645 @ 45°	2768
2581 @ 45°	2568 @ 45°	2519
941 @ 45°	802 @ 45°	990
33	32	30
85	83.1	84
1639	1639	1677
244	244	321
32	32	38
56.2 (1482)	1465	1712
2200 with 78" bucket	2234 with 78" bucket	NA
2297 with 78" bucket	2331 with 78" bucket	NA
2409 with 78" bucket	2444 with 78" bucket	NA
1702	1725	2913
1488	1488	NA
1943	1943	1988

C327**ENGINE**

Manufacturer/model		FPT / F5H FL463A
Type		Diesel 4-stroke, turbo, D.I.
Cylinder		4
Bore/stroke	mm	99 x 109
Displacement	L	3.4
Fuel injection		HPCR Direct
Fuel		#2 diesel
Fuel filter		Pre-spin on 30 microns Main-spin on 4 microns
Air intake		Turbocharged with external EGR
Cooling		Liquid
ENGINE SPEEDS		
High idle - no load	rpm	2500 +/- 25
Rated - full load	rpm	2500
Low idle	rpm	1150 +/- 25
HORSEPOWER PER SAE J1349		
	Gross hp (kW)	74 (55) @ 2500 rpm
	Net hp (kW)	68 (51) @ 2500 rpm
Peak torque	lb-ft (N•m)	232 (314) @ 1400 rpm

C327**POWER TRAIN**

Drive pump electro hydraulic		
Pump to engine ratio		1:1
Displacement	cc	45
Flow	Lpm	91.5
Charge pressure	psi (bar)	362 (24.5)
System relief	psi (bar)	5220 (360)
Control		Mechanical or Electro hydraulic
Drive motors		
Effective Max displacement	cc	50.9
Effective Displacement opt high speed	cc	33.1
Speed @ high idle engine	rpm	103
Speed @ optional high speed	rpm	156
Torque @ max displ. and relief pressure	N•m	6310
Travel speed		
Low range	km/h	8.9
High range	km/h	12.9
Final drive		Planetary gearbox with 2-speed motor
Parking brake		
Type		Spring applied, hydraulic release disc
Engagement		Depress on/off brake button on instrument panel, disconnect lapbelt, get off seat, or stop engine

C327**UNDERCARRIAGE**

System		Zig Zag Pattern
Idlers / rollers per side		2/3
Ground pressure		
PSI (with spec belt)		5.9

C332	C345	C362
FPT / F5H FL463A*G001	FPT / F5BFL413E*B002*	FPT / F5BFL413D*C005
Diesel 4-stroke, turbo, D.I.	Diesel 4-stroke, turbo, D.I.	Diesel, 4-stroke, turbo, D.I.
4	4	4
99 x 110	99 x 110	99 x 110
3.4	3.4	3.4
HPCR Direct	HPCR Direct	HPCR Direct
#2 diesel	#2 diesel	#2 diesel
Pre-spin on 30 microns Main-spin on 4 microns	Pre-filter 99.8% @ 30 microns, Main filter 95% @ 4 microns	Pre-filter Spin on, Beta ₍₃₀₎ = 200, Main filter Spin on, Beta ₍₄₎ > 50, Beta ₍₆₎ > 200
Turbocharged Aftercooled with external EGR	Turbocharged Aftercooled with external EGR and SCR	Turbocharged Aftercooled with external EGR and SCR
Liquid	Liquid	Liquid
2500 +/- 25	2500 +/- 25	2500 +/- 25
2500	2500	2500
1150 +/- 25	1150 +/- 25	1150 +/- 50
74 (55) @ 2500 rpm	90 (67) @ 2500 rpm	114 (85) @ 2500
68 (51) @ 2500 rpm	84 (63) @ 2500 rpm	114 (85) @ 2500
232 (314) @ 1400 rpm	282 (383) @ 1400 rpm	339 (460) @ 1400

C332	C345	C362
1:1	1:1	1:1
45	45	3
91.5	111	10.5
362 (24.5)	360 (24.5)	377 (26)
5220 (360)	5220 (360)	5802 (400)
Mechanical or Electro hydraulic	Mechanical or Electro hydraulic	Electro hydraulic
50.9	50.9	53.8
33.1	33.1	35
103	103	50
156	156	100
6310	6310	6562
8.9	8.9	8
12.9	12.9	14
Planetary gearbox with 2-speed motor	Planetary gearbox with 2-speed motor	Planetary gearbox with 2-speed motor
Spring applied, hydraulic release disc	Spring applied, hydraulic release disc	Spring applied, hydraulic released multi plet wet disc
Depress on/off brake button on instrument panel, disconnect lapbelt, get off seat, or stop engine	Depress on/off brake button on instrument panel, disconnect lapbelt, get off seat, or stop engine	Depress on/off brake button on instrument panel, disconnect lapbelt, get off seat, or stop engine

C332	C345	C362
Zig Zag Pattern	Zig Zag Pattern	H-Pattern
2/4	2/4	2/6
4.2	4.4	6.1

C327**HYDRAULIC SYSTEM**

Pumps		
Type		Gear
Displacement standard aux.	cc	36.6
Displacement high flow aux.	cc	12.5
Standard pump flow	Lpm	91.5
Optional high flow	Lpm	122.6
Enhanced high flow	Lpm	NA
Loader control valve		
Type		3 spool / open center / series
Standard relief pressure	psi (bar)	3046 (210)
Enhanced high flow relief pressure	psi (bar)	NA
Hydraulic filter		6 microns / spin on

C327**CYLINDERS**

Lift cylinder		
Bore diameter	mm	63.5
Rod diameter, in (mm)	mm	44.5
Stroke, in (mm)	mm	804.9
Closed length, in (mm)	mm	1158.0
Bucket cylinders		
Bore diameter, in (mm)	mm	69.9
Rod diameter, in (mm)	mm	34.9
Stroke, in (mm)	mm	410
Closed length, in (mm)	mm	610
Rated operating load		
50% tip	kg	1225
35% tip	kg	860
Tipping load	kg	2449
Breakout forces		
Lift cylinder	kN	27
Bucket cylinder	kN	32.3
Cycle times		
Raise	sec	3.6
Lower	sec	1.8
Dump	sec	2.2
Roll back	sec	1.7

C327**WEIGHTS**

Operating weight	kg	3750
Shipping weight, with bucket	kg	3615

C327**SERVICE CAPACITIES**

Fuel tank	L	73.8
Engine oil with filter	L	8.5
System Capacity with filter	L	32.2
DEF tank	L	NA

For all dimensions and performance metrics, unless otherwise specified:
 C327 – Equipped with 80 kg operator, 72" Dirt & Foundry Bucket with 320 mm track belt

C332	C345	C362
Gear	Gear	Tandem Pump, Integral
36.6	36.6	60
20.4	23.7	60
91.5	91.5	91.5
142.5	150.8	157
NA	132.5	157
3 spool / open center / series	3 spool / open center / series	3 spool / closed-center load sensing
3046 (210)	3450 (237)	3450 (237)
NA	4000 (276)	4100 (283)
6 microns / spin on	6 microns / spin on	6 microns / spin on

C332	C345	C362
63.5	69.8	82.5
44.5	44.5	57.1
851.9	908	985
1192	1369.1	1515
76.2	76.2	82.5
38.1	38.1	44.5
410	405	500
610	617	800
1451	2045	2812
1018	1432	1969
2902	4091	5670
21.5	33.6	53.8
32.7	41.8	57.4
3.9	5.1	4.18
2.5	3.5	2.18
2.7	2.7	2.25
2.0	2.0	1.6

C332	C345	C362
4370	4823	7311
4220	4657	7182

C332	C345	C362
96.5	96.5	116.5
8.5	8.5	8.5
44.5	48	40.5
NA	10.7	12.4

For all dimensions and performance metrics, unless otherwise specified:
C332 – Equipped with 80 kg operator, 78" Heavy Duty Bucket and 450 mm track belt
C345 – Equipped with 80 kg operator, 78" Heavy Duty Bucket and 450 mm track belt
C362 – Open cab, with no operator or bucket, fully fuelled



The New Holland dealer network is, in itself, the best guarantee of continued productivity for the machines it delivers to its customers. New Holland service technicians are fully equipped to resolve all maintenance and repair issues, with each and every service point providing the high standards of New Holland's stringent quality guidelines.

The New Holland global parts network ensures fast, reliable, replacement parts for less downtime, increased productivity and, of course, profitable operation for its customers.

Learn more at www.newholland.com

Printed on recycled paper
CoC-FSC 000010 CQ Mixed sources



AT YOUR OWN DEALERSHIP

The information contained in this brochure is intended to be of general nature only. The NEW HOLLAND CONSTRUCTION MACHINERY S.p.A. company may at any time and from time to time, for technical or other necessary reasons, modify any of the details or specifications of the product described in this brochure. Illustrations do not necessarily show products in standard conditions. The dimensions, weights and capacities shown herein, as well as any conversion data used, are approximate only and are subject to variations within normal manufacturing techniques.