

# W50<sub>c</sub> W80<sub>c</sub>



	W50C		W80C
	Z-BAR	TC	Z-BAR
ENGINE POWER	58 hp / 43 kW	58 hp / 43 kW	74 hp / 55 kW
MAX OPERATING WEIGHT	5.4 t	5.3 t	6.5 t
BUCKET CAPACITY	0.7-1.0 m <sup>3</sup>	0.7-1.0 m <sup>3</sup>	1.1-1.2 m <sup>3</sup>



**BUILT AROUND YOU**

# GET READY FOR EVERY MISSION



## FPT INDUSTRIAL ADVANCED ENGINE TECHNOLOGY

The new C series Compact Wheel Loaders are equipped with a 3.4 liters turbocharged multiple injection engine developed by FPT Industrial, a world-wide leader in the design, production and sale of powertrains for industrial applications.

FPT Industrial is a global engine manufacturer, part of CNH Industrial group, that produces more than 600,000 engines a year.

- ▶ 3.4 liter 4-cylinder Turbocharged Multiple Injection High Pressure Common Rail
- ▶ Tier 4 final / EU Stage IIIB compliant using **MAINTENANCE FREE** Technology (DOC + PM CAT); no AdBlue and DPF filter required.



**WITH THE WIDE ATTACHMENT OFFERING YOU CAN DO EVERYTHING!  
EASY ASPHALT PLANING, BROOMING, COMPACTING..AND MUCH MORE!**

## **REACTIVE PARTNER TO SATISFY MULTIPLE JOBSITE NEEDS**

Thanks to the depressurized push-pull connectors you will never need any tool to change your attachments  
High visibility on the quick coupler pins with both z-bar and TC arms make attachment changes quick and easy from the cab seat

### **FRONT ELECTRICAL SOCKET**

For multi functioning or special attachments

### **CREEP SPEED**

Allows to maintain constant low speed rpm without even pressing the throttle pedal for your comfort on long planing applications.

### **STANDARD FLOW OR HIGH FLOW**

- ▶ Standard Flow (Max pressure 230 bar):  
W50C: 67 lpm @ 2500 rpm  
W80C: 85 lpm @ 2500 rpm
- ▶ High flow package on W80C  
130 lpm @ 2500 rpm

High flow option (W80C only) available as package with Creep Speed, Front Electrical Socket and Return Depressurized Drain line.



# COMFORT TO BOOST PRODUCTIVITY



ALL-IN-ONE  
JOYSTICK

ADJUSTABLE  
WRIST REST

10 AIR VENTS

TILTING ADJUSTMENT OF  
THE STEERING WHEEL

## MAXIMUM OPERATOR SAFETY

The cab complies with ROPS and FOPS level 2 standards. Tested to protect the operator in case the machine rolls over or a 227 kg rock falls from 5 meters height on the roof.

## EASY CAB ACCESS

- New step design
  - Low threshold
- Maximized accessibility and safety.**

## THE DELUXE OPTION

- Additional storage compartments
- Telescopic steering wheel



## HIGH VERSATILITY

- Creep speed
- Z-bar and parallel linkage kinematics
- Connect under pressure auxiliaries

## LOW CAB PROFILE

- Easy transport on truck, quick access to the cab:  
W50C: 2.46 m,  
W80C: 2.68 m

## HIGH PAYLOAD

- From 1.8 t up to 2.5 t tipping load
- Auto-Ride control optimizes bucket retention

## NEW CAB

- New ergonomic design
- Rops-Fops Level 2 structure

## MAXIMUM STABILITY

- Oscillating rear axle
- Wheel base equally distributed in reference to the frame articulation joint

## FAST TRAVELLING

- Engage Turtle/Rabbit speed under load
- HTS - High Travel Speed version (33 km/h) on the W80C only



# SERVICE PLUS





## THE NEW HOLLAND DEALER: YOUR PROFESSIONAL PARTNER

Your success starts with world-class New Holland machinery and attachments. Your New Holland dealer will help you work smarter and faster by selecting equipment that delivers performance and operator comfort. Your dealer has the knowledge and experience necessary to help you choose the right attachments so you can...

- **Work faster and extend equipment life.**
- **Increase machine utilization.**
- **Increase your capabilities.**

Let your New Holland dealer service your machine on the jobsite. You'll be back on the job faster. Advantages include...

- **Responsive job site service to keep your equipment running.**
- **Increase machine uptime.**
- **Certified service staff and improved parts availability.**

## PARTS

When you're looking for superior parts options to maximise the performance and lower the operating costs of your New Holland machinery, turn to CNH Original Parts to keep you equipped for success.

CNH Original Parts fit better, install faster and last longer and in an industry where "high impact" and "heavy lifting" are the norm, the smallest mechanical differences can lead to big problems.

CNH Original Parts from New Holland are manufactured from superior materials and specifically designed for New Holland to continually and reliably withstand the punishment of everyday construction. So steer clear of mechanical problems and future breakdowns, by choosing CNH Original Parts from New Holland. They're the only parts that are field-tested and proven to keep your New Holland equipment performing its best.

## SERVICE. RELY ON NEW HOLLAND TO DELIVER FOR YOU

Your commitment to your operation is evident every day, but that doesn't minimise the enormous pressure you face to reduce operating costs and improve productivity. So when you're on the job, make sure you have top-notch service and support of New Holland behind you every step of the way. With our factory trained technicians, you can ensure that top-notch service professionals are working on your maintenance needs, so you can focus on your business and the big job challenges ahead, not on the tasks of servicing your equipment.

With your New Holland Service, you get more than mere oil changes. A New Holland Service ensures your New Holland equipment receives a thorough service that meets all requirements of its service schedules and properly maintains it for the day-in, day-out punishment of construction work.

Don't give another thought to time-consuming maintenance tasks. Simply rest easy and make certain that your service needs are taken care of by a New Holland factory trained technician.





When the unexpected occurs, you need to know your equipment is protected. At New Holland we understand the importance of your machinery being in good working order when it counts. Service Plus is designed to help keep your equipment working well beyond the manufacturer's base warranty period while taking away the concerns of the cost and inconvenience of mechanical failure.

**WHAT ARE THE ADVANTAGES OF SERVICE PLUS?**

**PEACE OF MIND**

Provides protection beyond the Manufacturer's Base Warranty Period.

**FLEXIBLE OPTIONS**

Plans can be customised to meet individual needs.

**DEPENDABLE SERVICE**

Eligible repairs completed by an authorised New Holland Dealership and their trained service technician's using genuine OEM parts & lubricants.

**TRANSFERABLE PROTECTION**

New Equipment Plans may be transferred to a new owner at no charge

**• STANDARD PROTECTION PLAN 3 Year / 3000 Hour**

Additional years/hours can be purchased. Please contact your local New Holland dealer for further information.



# STANDARD SERVICE PLUS PROTECTION PLAN CONSTRUCTION EQUIPMENT MASTER PARTS SCHEDULE

This plan provides coverage for the components listed below when a failure occurs due to a defect in material or workmanship, and may provide coverage for additional components not listed when the damage is caused by or resulting from a covered failure of a listed component.

## PREMIER COMPONENTS COVERED

ENGINE AND ALL INTERNAL LUBRICATED COMPONENTS WITHIN	TRANSMISSIONS/AXLES/HYDROSTATICS	ELECTRICAL	HYDRAULICS
Accessory Gears	Axle Housing	Alternator	Accumulator And Related Relief Valve
Air Intake Hose	Axle Shaft	Gauges	Brake Accumulator
Camshaft	Clutch Discs (Wet Only)	Horn	Brake Pressure Sensor
Camshaft Bearings	Clutch Plates (Wet Only)	Indicators	Brake Pump, Brake Valve
Camshaft Drive Gear	Control Rods	Instruments	Differential Lock Valve
Catalytic Converter	Counter Shaft Clutch	Electronic Joysticks	Fan Pumps And Motors
Charge Air Cooler	Differential Housing	Electric Motors	Hydraulic Cylinders
Cold Start Enrichment Systems	Differential Pinion Gear / Ring Gear	Factory Installed Telematics	Hydraulic Hoses and Piping
Connecting Rods & Bearings	Drive Axle Hub	Sensors	Hydraulic Motors
Crankshaft Bearings & Gear	Drive Shaft Support Bearing	Solenoid Valves	Hydraulic Oil Coolers
Crankshaft Including Front And Rear Crankshaft Seals	Drive Shaft with Universal Joints	Starter And Starter Solenoid	Hydraulic Pumps
Cylinder Heads/ Head Gaskets	Electronic Transmission Controller and Valve	Switches	Hydraulic Reservoir
Cylinder Liners	Enclosed Oil Immersed Chains and Sprockets	Traction Control System	Hydraulic Valves
Diesel Exhaust Fluid Tank and Dispensing System	External Oil Lines	Voltage Regulator	Internal O-Rings and Bonded Washers
Diesel Particulate Filter	Filler Tubes (Transmission)	Wiring Harnesses	Pilot Control
EGR System Manifold	Final Drive Pinion	Wiring Harnesses Exclusions	Pressure Reducing Valves
Electronic Engine Control Module	Final Drive Planetary Gears	Rubbing, Chafing, Loose Or Corroded Connections	Unloading Valves
Engine Block	Front Wheel Drive Sensors	<b>FACTORY INSTALLED HEAT AND AIR CONDITIONING</b>	<b>STRUCTURAL</b>
Engine Mounts And Supports	Hydraulic Drive / Travel Motor	Accumulator	Backhoe Booms
Engine Oil Cooler	Hydraulic Drive Pump	Clutch	Backhoe/Excavator Dipper Sticks
Engine Speed Controls, Linkages, and Cables	Hydraulic Transmission-Control Valve	Compressor	C Frame
Exhaust Manifold and Muffler	Hydrostatic Motor	Condenser	Car Body
Fan And Fan Drive	Hydrostatic Transmission Charge Pump	Dryer	Chassis
Filter Mount	Hydrostatic Transmission Pump	Evaporator	Circle Frame
Flywheel, Ring Gear	Hydrostatic/Hydraulic Pump Drives	Expansion Valve	Engine Frame
Front And Rear Engine Covers And Seals	Internal Lubricated Clutch Housings	Heater Core	Equipment Frame
Front Damper	Internal Transmission Control Linkage	Hoses	Excavator Booms
Fuel Lines	Internal Wet Service Brakes	Pulley	Falling Object Protection Structure (FOPS)
Fuel Tank	MFWD Axle/Differential Assembly including Driveshaft and U Joint	Seals & Gaskets	Forklift Masts
Fuel Transfer Pump & Gasket	Planetary Gear Carrier	Temperature Control Programmers and Valves	Inner and Outer Dipper Arms of the Extendable Boom (Backhoe Loader)
Injection Pump	Pneumatic Valves	<b>OPERATOR AREA</b>	Main Frame
Injectors	Rotary Hydraulic Manifold	Covers and Panels	Rollover Protection Structure (ROPS)
Intake and Exhaust Manifold And Gaskets	Splitter Drive/Drop Box	Exterior/Interior Door/Panel Latches, Hinges & Struts	Swing Frame
Oil Filler Tube	Steering Clutches (Wet)	Exterior/Interior Moldings	Swing Tower Castings (Backhoe Loader)
Oil Lines	Swing Motor And Swing Gear Box	Knobs for Switches and Handles	Track Frame
Oil Pan And Gasket	Torque Converter	Mirrors	Wheel Loader/Skid steer Loader Arms
Oil Pump	Torque Converter Pump	Seat Frame & Suspension	
Pistons & Rings	Transfer Drive		
Pre-Cleaner/Air Cleaner Housing	Transmission Case		
Pressure/Temperature Sensors & Sending Units	Transmission Gears, Bearings, & Shafts		
Pulleys	Transmission Pump		
Radiator	Travel & Swing Sections (only) Of Main Control Valve		
Rocker Arm Assembly	Travel Control Valve		
Selective Catalytic Reduction System	Turtable Bearing		
Thermostats	Undercarriage Roller And Idler Seals And Bearings		
Timing Gears	Undercarriage Tensioners		
Turbocharger And Gasket	<b>UNDERCARRIAGE EXCLUSIONS:</b>		
Valve Cover And Gasket	Sprocket, Tracks, Pads, Bolts, Chains, Or Any Failure Due To Wear, Or Breakage Caused By Wear		
Water Piping			
Water Pumps			

This plan excludes coverage for any failure to any component caused by or resulting from the failure of a component not listed as a covered component, including any resulting damage to a listed component. See the Terms and Conditions document for complete plan details.

# W50C/W80C

## SPECIFICATIONS



### ENGINE

Make and model	
W50C.....	FPT F5HFL463B
W80C.....	FPT F5HFL463A
Engine with Diesel Oxidation Catalyst (DOC) that reduces the quantity of Particulate Matters (PM)	
Emission level.....	Tier 4 final / EU Stage IIIB
Engine Power (Net @2500rpm)	
W50C.....	55 hp / 41 kW
W80C.....	70 hp / 52 kW
Maximum torque	
W50C.....	251 Nm
W80C.....	308 Nm
Type.....	Turbocharged Multiple Injection High Pressure Common Rail
Displacement .....	3.4 l
N. of cylinders.....	4
Bore x stroke.....	3.9 x 4.3 mm 99/110



### TRANSMISSION

Hydrostatic 4-wheel Drive Transmission..... Travel speed is proportional to the pressure on the throttle.

#### Speed with standard tyres

Operating speed range .....	0-5 km/h
Travel speed range .....	0-20 km/h
Optional High Travel Speed .....	33 km/h (upon request W80C)

#### “Inch & Brake” Pedal

Power transfer from the transmission to the bucket hydraulics at constant rpm. Optimum speed control at low speed.

#### Optional Creep Speed (upon request on W80C):

Set and adjust travel speed in the 1-5.5 km/h range, adjust engine rpm for hand-free asphalt planing, snow blowing, brooming



### DIFFERENTIAL

Limited slip front & rear (all models) or Front & rear open diff (W50C) or open with 100% lock on front and rear differentials (W80C)



### TIRES

#### Standard

W50C.....	12.5-18
W80C.....	14.5-20

More special tyres upon request



### BRAKES

Standard brakes..... disc brake.

Located in hubs for W80C, centre mounted for W50C

Parking brakes..... disc brake on transmission shaft



### STEERING

Fully hydraulic center pivot steering.  
Front and rear wheels follow the same track.  
Steering angle of 40° to each side.  
Emergency steering function.



### ELECTRICAL SYSTEM

Voltage.....	12V
Battery.....	95 A.h
Alternator.....	120 A.h



### CAPACITIES

Diesel.....	87 l
Engine oil.....	7 l
Cooling liquid.....	16 l
Total hydraulic oil.....	57 l
Front axle.....	9 l
Rear axle.....	12 l



### HYDRAULICS

Gear pump for loading and steering hydraulics  
Priority valve favouring steering hydraulics  
3rd or 4th functions are proportionally controlled by the All-in-one Joystick with , Flow memory button as standard.

#### Standard Flow

W50C.....	67 lpm @ 2500 rpm
W80C.....	85 lpm @ 2500 rpm

#### High Flow package

available upon request on W80C..... 130 lpm @ 2500 rpm



### NOISE AND VIBRATIONS

External - Guaranteed acoustic power-level LWA (1).....	101 dB
Cab interior - Sound Pressure Level (2) W50C.....	71 dB
W80C.....	72 dB

Hand- / arm- / body -vibration (3)..... < 2.5 / 0.5 m/s<sup>2</sup>

(1) According to 2000/14/EG & appendixes.

(2) According to ISO 6396.

(3) According to ISO 8041

# GENERAL DIMENSIONS



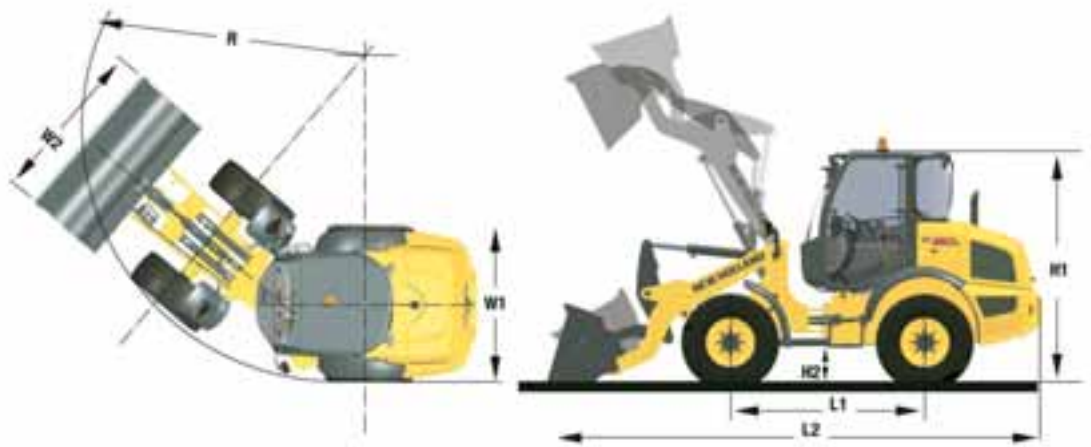
**TC** is the best solution for pallet handling thanks to parallel kinematic great attachments

- Visibility is guaranteed by the single cylinders concept
- Straight arms for maximum reach

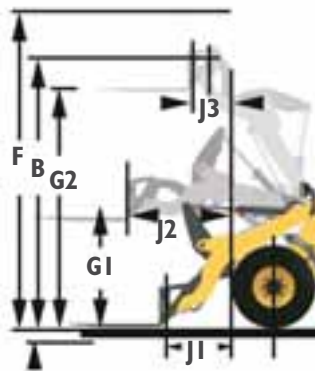
**Z-bar "Banana"** arms with no inferior overhanging cylinder

- 2 lifting cylinders for more breakout force
- Parallel lifting with max +4° roll back
- Optimized visibility of front attachment

	W50C	W80C
<b>H2</b>	2.46 cm	2.68 cm
<b>H1</b>	45 cm	49 cm
<b>W1</b>	1.74 m	1.86 m
<b>W2</b>	1.90 m	2.10 m
<b>L1</b>	2.08 m	2.23 m
<b>R</b>	3.72 m	3.99 m

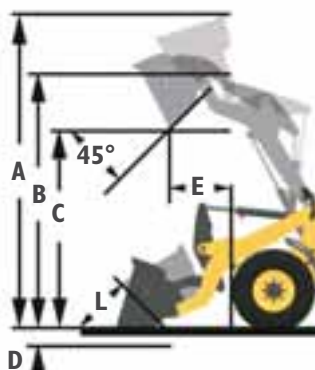


## SPECIFICATIONS WITH FORKS



		W50C		W80C
		Z-BAR	TC	Z-BAR
Tipping load straight	t	2.7	3.0	3.1
Tipping load at full turn	t	2.3	2.6	2.7
Payload @ 80%	t	1.8	2.1	2.2
<b>F</b> Max overall height	m	3.48	3.63	3.63
<b>B</b> Hinge pin height	m	3.14	3.11	3.29
<b>G2</b> Max fork height	m	2.90	2.96	3.08
<b>G1</b> Forks height@max reach	m	1.27	1.34	1.34
<b>J1</b> Reach @ ground level	m	0.94	0.77	0.99
<b>J2</b> Max Reach	m	1.35	1.26	1.43
<b>J3</b> Reach @ max height	m	0.59	0.46	0.61

## SPECIFICATIONS WITH BUCKET



		W50C		W80C
		Z-BAR	TC	Z-BAR
Bucket volume (SAE)	m <sup>3</sup>	07-1.0		1.1-1.2
Breakout force	kgF	6042	4104	6317
Max operating weight	t	5.4	5.3 t	6.5
<b>L2</b> Length with bucket	m	5.28	5.23 m	5.68
<b>A</b> Max bucket height	m	3.14	3.94 m	3.40
<b>B</b> Hinge pin height	m	3.14	3.11 m	3.40
<b>C</b> Dump height @ 45°	m	2.49	2.34 m	2.69
<b>D</b> Dig Depth	cm	7.3	13	8.4
<b>E</b> Reach at full height	cm	77	71	85

# PARTS AND SERVICE

The New Holland dealer network is, in itself, the best guarantee of continued productivity for the machines it delivers to its customers. New Holland service technicians are fully equipped to resolve all maintenance and repair issues, with each and every service point providing the high standards they are obliged to observe under New Holland's stringent quality guidelines. The New Holland global parts network ensures fast, reliable, replacement parts for less downtime, increased productivity and, of course, profitable operation for its customers.



## AT YOUR OWN DEALERSHIP

The information contained in this brochure is intended to be of general nature only. The NEW HOLLAND CONSTRUCTION MACHINERY S.p.A. company may at any time and from time to time, for technical or other necessary reasons, modify any of the details or specifications of the product described in this brochure. Illustrations do not necessarily show products in standard conditions. The dimensions, weights and capacities shown herein, as well as any conversion data used, are approximate only and are subject to variations within normal manufacturing techniques.

Printed in Australia - MediaCross Firenze - Cod. ANZ4406NCGB - Printed 01/15

Printed on recycled paper  
CoC-FSC 000010 CQ Mixed sources



[www.newholland.com](http://www.newholland.com)

