



NEW HOLLAND

D350



NET RATED FLYWHEEL POWER	224 kW - 300 hp
NET MAXIMUM FLYWHEEL POWER	257 kW - 345 hp
OPERATING WEIGHT (WITH RIPPER)	39 100 kg
OPERATING WEIGHT (DESERT VERSION W/RIPPER)	39 200 kg



NEW HOLLAND

CONSTRUCTION

BUILT AROUND YOU

D350 SPECIFICATIONS



ENGINE TIER 2

Net flywheel power (ISO14396):

-at rpm 2100.....224 kW/300 hp
 -at rpm 1800.....257 kW/345 hp

Make and model.....CUMMINS QSM11
 Typeturbocharged, aftercooled, direct injection, 4-cycle Diesel
 Number of cylinders 6
 Bore x stroke125 x 147 mm
 Displacement.....10.82 l
 Governed 2100 rpm
 Maximum torque.....162 daNm at 1400 rpm
 Lubricationfull pressure by gear pump
 The machine may be operated up to 2500 m altitude without derating the engine.



ELECTRICAL SYSTEM

Voltage24 V
 Battery2
 - Rating (total).....180 Ah – 650 A cc
 - Typemaintenance free
 Starter9.5 kW
 Alternator70 A
 Master switch for electrical system.



TORQUE CONVERTER

Typesingle stage, rotating housing
 Torque multiplication.....2.3 : 1



TRANSMISSION

Type.....full PowerShift, countershaft, constant mesh
 Control modulation5 modulation valves (2 for direction +3 for shifting)
 ControlTouch-shift buttons for upshift and downshift
 Rotational direction control for forward, neutral and reverse.
 Automatic shifting:
 AUTO SHIFT allows the operator to pre-select the 1st speed for forward and 2nd speed for reverse at directional change.
 Both automatic features can be selected through specific buttons.
 Clutchesmultiple disc, hydraulic
 Lubrication.....full pressure

SPEEDS AND DRAWBAR PULL*			
Fwd		km/h	daN
	1st	4.1	57685
	2nd	6.8	32965
	3rd	10.6	16329
Rev		km/h	daN
	1st	5.0	47212
	2nd	8.3	26812
	3rd	12.7	13084

*[Drawbar tractive effort depends on adhesion coefficient, rolling resistance and machine operating weight]

Safety device: a lever in the lock position inhibits transmission control lever and engine starting; it automatically engages parking brakes.



STEERING (POWERSTEERING)

Hydrostatic steering with an epicycloidal unit and hydraulic motor. Epicycloidal reduction gears on both sides replace steering clutches. A hydraulic motor makes the epicycloidal reduction gear solars rotate in the opposite direction to generate different speeds in the output gear carriers and therefore steering. Counter-rotation is obtained if the hydraulic motor is actuated with the machine motionless. Control: finger tip levers located on the left side of the operator.



BRAKES

SERVICE BRAKES
 Spring applied, hydraulically released, multi-disc oil bath brakes. Foot pedal piloted control.
 PARKING BRAKES
 Service brakes are automatically applied when the transmission safety lever is applied or when the engine is cut out.



FINAL DRIVES

Type double stage:one single reduction
 the second planetary type
 Total ratio.....15.6 : 1
 Lubricationsplash

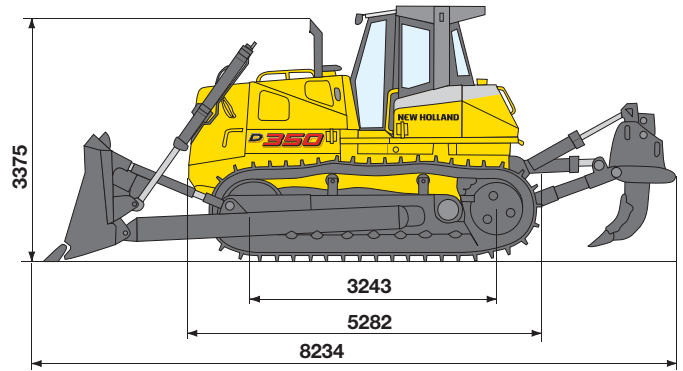


TRACK

Box section track frames. Oscillating type.
 Hydraulic track adjusters. Sprockets with bolt-on segments, anti-packing tooth profile
 Track bushing with greater diameter at the rolling area
 Outer sprocket guard, front and rear track guards, full track roller guards
 Disc idlers, track rollers, carriers rollers, are permanently lubricated and sealed
 Sealed and lubricated track
 Split master link
 Track rollers (per track).....7
 Carrier rollers (per track).....2
 Number of shoes.....44
 Length of track on groundmm 3243
 Gaugemm 2134
 Track shoes widthmm 610 /711
 Shoe grouser heightmm 84
 Carriage oscillationmm 255

Track shoes Ground contact area Ground pressure
 610 mm39565 cm².....0.907 kg/cm²
 711 mm46115 cm².....0.778 kg/cm²

D350 DIMENSIONS



Length of track on ground	mm	3243			
Gauge	mm	2134			
Overall Width Tractor (610 mm Shoes)	mm	2744			
Overall Width Tractor (711 mm Shoes)	mm	2845			
Length of Basic Machine	mm	5285			
BLADE		HSU	HSU-Desert	HU	HA
BLADE TYPE		Semi-U	Semi-U Desert	Full HU	Angle
Blade capacity SAE J1265	m ³	9.1	12.5	11.4	4.5
Overall length W/Blade	mm	6326	6326	6626	6062
Overall length W/Blade & Ripper	mm	8234	8234	8534	7970
Width of blade	mm	3975	3975	4295	4620
Height of blade	mm	1700	1820	1650	1145
Max tilt	mm	900	900	975	470
Pitch		13°	13°	13°	10°
Digging depth	mm	600	600	600	685
Lift above ground	mm	1220	1220	1220	1140
Operating weight (with blade)	kg	35900	36000	36180	34360
Op. weight (with blade & ripper)	kg	39100	39100	39380	37560



HYDRAULIC SYSTEM

Closed-centre Load Sensing system designed for precise and responsive control, plus efficient simultaneous operations. It utilises a feedback loop from the implement valve to the pump to monitor the hydraulic power. The pump flow is regulated to only what is needed, thus reducing the engine power requirement for the hydraulics and fuel consumption and at the same time increasing the machine production.

- Control systempilot operated
- Pump variable displacement piston pump
- Capacity at rated speed350 l/min
- Relief valve pressure200 bar
- Spool type control valve.....(four spools with safety lock device)
- Actuation (blade).....single lever
- Dozer circuitraise, hold, lower, float
- Tilt circuitleft, hold, right
- Auxiliary circuit for ripper or other attachments
- Power Steering device
- Double acting cylinder control
- Blade, with quick drop and travel limit valves.....2
Bore x stroke.....70 x 1255 mm
- Tilt (HSU).....1
Bore x stroke.....90 x 180 mm
- Hydraulic oil level sight gauge reservoir.



CAPACITIES

	Litres
Lube oil	35
Coolant	37
Fuel tank	670
TRANSMISSION, oil	
Torque converter and transmission	49
Rear transmission	175
Final drive (each)	36
HYDRAULIC SYSTEM (incl Power Steering)	145



RIPPER

- MODELParallelogramm variable pitch
- Shanks..... 3 /1
- Ripping depth.....mm 750 /mm 1195
- Ripping widthmm 2400
- Shank holders 3/1
- Clearance, under tooth with ripper raisedmm 1750/mm 1020
- Overall widthmm 2600 /mm 1250
- Weight (with shanks)kg 5140/kg 3200
- Double acting cylinder control
- Ripper lift cylinders - Bore x stroke.....90 x 533 mm
- Ripper pitch cylinders - Bore x stroke80 x 622 mm

BASIC MACHINE

- Air filter, Dry
- Air cleaner, dust ejector (only Desert version)
- Alternator 70 A
- Blade lift cylinders
- Blower fan
- Diagnostics
- Electrical system, 24 V
- Exhaust pipe muffler
- Foot pedal decelerator
- Front pull hook
- Horn
- Integral 3+3 Power Shift Transmission (with automatic control)
- Maintenance-free batteries
- Power Steering Device
- Protections: engine sump and drive wheel gearbox, sprocket, front and rear on track carriages, hinged engine side panels. (for Desert version, heavier protection)
- ROPS protection for operator compartment
- Rear implement control and piping (only Desert version)
- Reverse warning horn
- Sand screen, radiator and fan for desert application (only Desert version)
- Service lights: 4 front lights, 2 rear lights
- Single lever hydraulic system control
- Tool kit
- Track tension hydraulic adjustment
- Track frame 7 rollers

MANDATORY OPTIONS

- FOPS cab with heating system (not for Desert version); or FOPS cab with air conditioning; or FOPS canopy
- Sealed and lubricated chains, 610 mm shoes; or sealed and lubricated chains, 711 mm shoes (not for Desert version)

OPTIONAL EQUIPMENT

- Air conditioning
- Air cleaner, dust ejector (STD for Desert version)
- Fire extinguisher
- (HSU) Semi-U blade complete with Equistatic device, push booms and tilt cylinder
- (HSU- Desert) Semi-U blade complete with Equistatic device, push booms and tilt cylinder
- (HU) Full U blade complete with Equistatic device, push booms and tilt cylinder.
- (HA) Angle blade complete with C frame and 1 tilt cylinder
- Quick release valve.
- Parallelogram variable pitch 3-teeth Ripper
- Parallelogram variable pitch 1-tooth Ripper
- Radio
- Rear implement control and piping (STD for Desert version)
- Rear draw bar.
- Roller protection
- Sound suppression

Note: standard and optional equipment may vary by country. Consult your NEW HOLLAND dealer for specific details.

AT YOUR OWN DEALERSHIP

The information contained in this brochure is intended to be a general nature only. The NEW HOLLAND CONSTRUCTION MACHINERY S.p.A. company may at any time and from time to time, for technical or other necessary reasons, modify any of the details or specifications of the product described in this brochure. Illustrations do not necessarily show products in standard conditions. The dimensions, weights and capacities shown herein, as well as any conversion data used, are approximate only and are subject to variations within normal manufacturing techniques.

Printed in Italy - MediaCross Firenze - Cod. IR1904NCGB - Printed 06/11

Printed on recycled paper
CoC-FSC 000010 CQ Mixed sources



BUILT AROUND YOU

www.newholland.com