

E57C

COMPACT EXCAVATOR

TIER 4 FINAL



Engine	
Model	Yanmar 4TNV98C
Emission certification	Tier 4 Final
Fuel	Diesel
Cylinders	4
Displacement	203 in ³ (3319 cc)
Fuel Injection	Electronic common rail
Gross horsepower	SAE J1995 @ 2400 RPM: 66.9 hp (49.9 kW)
Net horsepower	SAE J1349 @ 2400 RPM: 65.1 hp (48.5 kW)
Maximum engine torque @ 1550 RPM	173.7 lb. ft. (235.4 Nm)
Cooling	Water-cooled

Drivetrain	
Travel speeds:	
1st	1.3 mph (2.1 kph)
2nd	2.5 mph (4.1 kph)
Maximum traction force	11,680 lb. (5300 kg)
Gradeability	35° (70%)
Ground pressure:	4.8 psi (0.34 kgf/cm ²)

Electrical	
Voltage	12 Volts
Alternator rating	60 amp
Battery	1 x 12 V x 100 Ah 850 CCA

Operator Weight	
Canopy operating weight:	
Short arm	12,050 lb. (5465 kg)
Long arm w/additional counterweight	12,320 lb. (5590 kg)

NOTE: w/rubber tracks/no quick coupler/bucket/fluids/full of fuel/165 lb. operator.

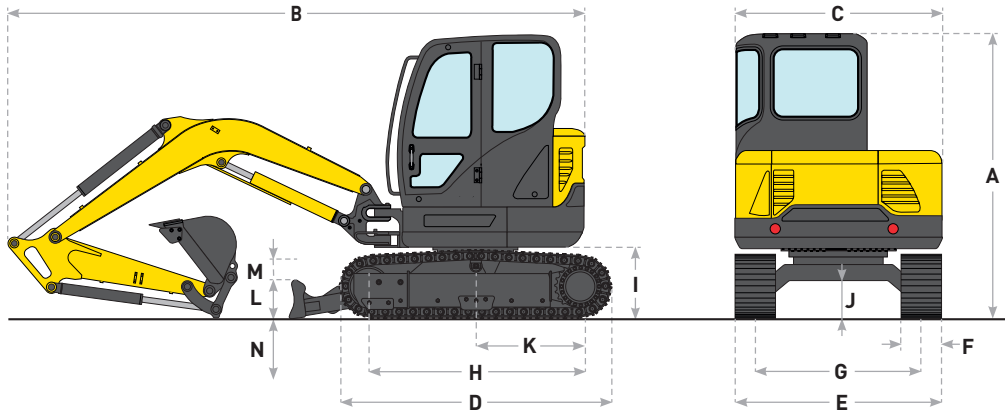
Operator Environment	
Enclosed cab w/heat and air conditioning; ISO 6396:2008 sound pressure level LpA=76dB (A); Pilot operated hand controls and foot pedals; Adjustable seat w/seat belt and seat heater; Arm rests; 12V socket; 5.7 in color LCD display; cup holder; Cell phone holder; Bluetooth radio with USB input, 2 speakers and remote control.	
Display includes: Hydraulic oil temp warning lamp; Air cleaner warning lamp; Engine stop warning lamp; Check engine warning lamp; Water in fuel warning lamp; Battery charging warning lamp; Emergency warning lamp; Engine coolant temp warning lamp; Engine oil pressure warning lamp; DPF regeneration inhibit warning lamp; DPF regeneration acknowledge warning lamp; DPF warning lamp; High Exhaust Temperature warning lamp; Low fuel level warning lamp Engine coolant temperature gauge; Hydraulic oil temperature gauge; Fuel gauge; Engine RPM and Hour meter.	

Service Capacities	
Fuel tank	31.7 gal. (120 L)
Hydraulic tank:	
Refill capacity	18.5 gal. (70 L)
Total system	31.7 gal. (120 L)
Engine oil w/filter change	3.1 gal. (11.6 L)
Radiator	2.5 gal. (9.5 L)

Other Specifications	
Swing speed	0 – 9.5 RPM
Undercarriage:	
Track rollers	1 upper / 4 lower each
Boom:	
Swing	75° left/50° right
Length	8 ft. 2 in. (2.5 m)
Arm:	
Standard length	4 ft. 3 in. (1.3 m)
Long arm length	5 ft. 3 in. (1.6 m)

Hydraulics	
Main pumps: Variable displacement tandem axial piston pump	
Max rated flow x 2	15.3 gpm (57.7 L/min)
Auxiliary flow	
Hammer circuit 1-way:	
Flow	15.3 gpm (57.7 L/min)
Pressure	3132 psi (216 bar)
1st aux 2-way circuit:	
Flow	15.3 gpm (57.7 L/min)
Pressure	3132 psi (216 bar)
2nd aux 2-way circuit:	
Flow	15.3 gpm (57.7 L/min)
Pressure	3132 psi (216 bar)
Pilot control hydraulic system:	
Pump	Gear pump
Maximum capacity	2.5 gpm (9.5 L/min)
Control valves:	
Pilot control for left/right track travel, boom, arm, bucket and swing	
Manual control for breaker and backfill blade	
Swing motor: Fixed displacement orbit axial piston motor	
Travel motor: Variable displacement axial piston 2-stage planetary Automatic spring applied hydraulic released brake	

E57C SPECIFICATIONS

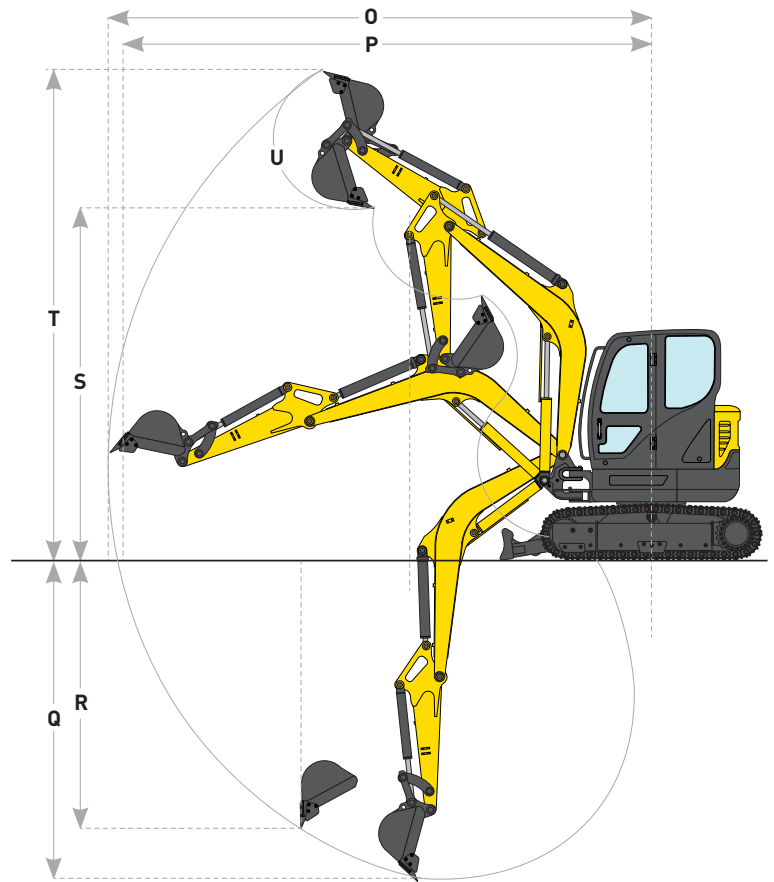


Dimensions

5 ft. 3 in. (1.6 m) Arm			
A	Overall height	ft. in. (mm)	8' 4" (2550)
B	Overall transport length	ft. in. (mm)	19' 4" (5900)
C	Width of upper structure	ft. in. (mm)	6' 1" (1850)
D	Track overall length	ft. in. (mm)	8' 4" (2530)
E	Track overall width	ft. in. (mm)	6' 4" (1920)
F	Track shoe width	in. (mm)	15 (380)
G	Track gauge	ft. in. (mm)	4' 11" (1500)
H	Center to center – idler to sprocket	ft. in. (mm)	6' 6" (1990)
I	Upper structure ground clearance	ft. in. (mm)	2' 3" (690)
J	Minimum ground clearance	ft. in. (mm)	1' 3" (380)
K	Tail swing radius:		
	Standard counterweight	ft. in. (mm)	5' 5" (1650)
	Heavy counterweight	ft. in. (mm)	5' 5" (1650)
	Boom swing	degrees	80 left/50 right
	Tail swing overhang:		
	Standard counterweight	ft. in. (mm)	2' 3" (690)
	Additional counterweight	ft. in. (mm)	2' 3" (690)

Blade Specs

L	Backfill blade height	ft. in. (mm)	1' 2" (350)
M	Backfill blade rise above ground	ft. in. (mm)	1' 3" (380)
N	Backfill blade dig depth	ft. in. (mm)	1' 11" (590)
	Backfill blade width	ft. in. (mm)	6' 4" (1920)



Performance Specs

		5 ft. 3 in. (1.6 m) Arm	6 ft. 3 in. (1.9 m) Arm
O	Maximum dig radius	ft. in. (mm)	20' 2" (6150)
P	Dig radius at groundline	ft. in. (mm)	19' 9" (6010)
Q	Maximum dig depth	ft. in. (mm)	12' 6" (3820)
R	Vertical straight wall dig depth	ft. in. (mm)	10' 6" (3200)
S	Dump height	ft. in. (mm)	13' 3" (4050)
T	Overall reach height	ft. in. (mm)	19' 0" (5780)
U	Bucket rotation	degrees	180
	Arm digging force – ISO	lbf (kgf/kN)	7190 (3260/31.9)
	Bucket digging force – ISO	lbf (kgf/kN)	9550 (4330/42.4)

Line drawings are for illustrative purpose only and may not be exact representation of unit

Lift Capacities E57C Standard Arm Lift

9 ft. 10 in. (3.0 m) Boom, 5 ft. 3 in. (1.6 m) Arm, Dozer Blade Down

Canopy unit equipped with 0.18 m³ (SAE heaped) bucket, 15 in. (380 mm) rubber track and 518 lb. (235 kg) counterweight.

Load/Lift point height		Load Radius								At Maximum Reach		
		7 ft. (2.0 m)		10 ft. (3.0 m)		13 ft. (4.0 m)		16 ft. (5.0 m)		Reach ∅	Capacity	
		end	side	end	side	end	side	end	side		end	side
+13 ft. (4.0 m)	lb. (kg)					2170* (990)*	2150 (980)			14 ft. 4 in. (4.37 m)	2220* (1000)*	1810 (820)
+10 ft. (3.0 m)	lb. (kg)					2340* (1060)*	2100 (950)			16 ft. 3 in. (4.96 m)	2150* (970)*	1400 (630)
+7 ft. (2.0 m)	lb. (kg)	6610* (3000)*	6440 (2920)	3660* (1660)*	3220 (1460)	2850* (1290)*	1990 (900)	2530* (1150)*	1330 (600)	17 ft. 3 in. (5.26 m)	2240* (1010)*	1210 (550)
+3 ft. (1.0 m)	lb. (kg)			5150* (2340)*	2910 (1320)	3470* (1580)*	1850 (840)	2780* (1260)*	1270 (580)	17 ft. 6 in. (5.33 m)	2480* (1120)*	1130 (510)
Groundline	lb. (kg)	4160* (1890)*	4160 (1890)	5920* (2680)*	2730 (1240)	3910* (1770)*	1750 (800)	2940* (1330)*	1230 (560)	17 ft. 0 in. (5.17 m)	2820* (1280)*	1160 (530)
-3 ft. (-1.0 m)	lb. (kg)	6870* (3120)*	5430 (2460)	5890* (2670)*	2690 (1220)	3950* (1790)*	1710 (780)			15 ft. 8 in. (4.77 m)	3040* (1380)*	1310 (590)
-7 ft. (-2.0 m)	lb. (kg)	8420* (3820)*	5550 (2520)	5100* (2310)*	2730 (1240)	3330* (1510)*	1750 (790)			13 ft. 2 in. (4.01 m)	3310* (1500)*	1740 (790)
-10 ft. (3.0 m)	lb. (kg)	4700* (2130)*	4700 (2130)							8 ft. 3 in. (2.52 m)	3570* (1620)*	3570 (1620)

Lift Capacities E57C Long Arm Lift

9 ft. 10 in. (3.0 m) Boom, 6 ft. 3 in. (1.9 m) Arm, Dozer Blade Down

Canopy unit equipped with 0.18 m³ (SAE heaped) bucket, 15 in. (380 mm) rubber track and 739 lb. (335 kg) counterweight.

Load/Lift point height		Load Radius								At Maximum Reach		
		3 ft. (1.0 m)		7 ft. (2.0 m)		10 ft. (3.0 m)		13 ft. (4.0 m)		Reach ∅	Capacity	
		end	side	end	side	end	side	end	side		end	side
+13 ft. (4.0 m)	lb. (kg)									15 ft. 6 in. (4.72 m)	1860* (850)*	1690 (770)
+10 ft. (3.0 m)	lb. (kg)					2070* (940)*	2070* (940)*	2150* (980)*	1500 (680)	17 ft. 3 in. (5.27 m)	1800* (820)*	1350 (610)
+7 ft. (2.0 m)	lb. (kg)			3170* (1440)*	3170* (1440)*	2610* (1180)*	2150 (970)	2360* (1070)*	1450 (660)	18 ft. 3 in. (5.55 m)	1860* (840)*	1180 (540)
+3 ft. (1.0 m)	lb. (kg)			4770* (2170)*	3150 (1430)	3280* (1490)*	2000 (910)	2660* (1200)*	1380 (630)	18 ft. 5 in. (5.61 m)	2030* (920)*	1120 (510)
Groundline	lb. (kg)	4070* (1840)*	4070* (1840)*	5770* (2620)*	2930 (1330)	3800* (1730)*	1890 (860)	2890* (1310)*	1320 (600)	17 ft. 11 in. (5.46 m)	2360* (1070)*	1140 (520)
-3 ft. (-1.0 m)	lb. (kg)	6160* (2790)*	5720 (2600)	5960* (2700)*	2860 (1300)	3980* (1800)*	1830 (830)	2880* (1310)*	1300 (590)	16 ft. 8 in. (5.08 m)	2800* (1270)*	1260 (570)
-7 ft. (-2.0 m)	lb. (kg)	9210* (4180)*	5820 (2640)	5400* (2450)*	2880 (1300)	3160* (1640)*	1840 (830)			14 ft. 5 in. (4.40 m)	3050* (1380)*	1600 (730)
-10 ft. (3.0 m)	lb. (kg)	6150* (2790)*	6040 (2740)	3660* (1660)*	3010 (1360)					10 ft. 4 in. (3.16 m)	3350* (1520)*	2770 (1260)

NOTE: Lifting capacity are based on ISO 10567.

Lifting capacity does not exceed 75% of tipping load with the machine on firm, level ground or 87% of full hydraulic capacity.

The lift point is a hook located on the back of the bucket.

*Indicates load limited by hydraulic capacity.



E57C STANDARD EQUIPMENT

Engine
Yanmar 4TNV98C
Engine access under rear hood
Glow plug starting aid
Dry type air cleaner with restriction indicator

Electrical
12-volt electrical starting system
Heavy-duty battery
Battery master switch
Key start
Anti-Theft-Engine starting passwords
Front working light
Auto-idle feature with on/off switch
Horn
Pre-wired – Telematics ready

Hydraulics
Auxiliary hydraulics – independent single and bi-directional – and plumbing to arm
Large hydraulic oil cooler
Control pattern selector valve
Cylinder rod protection covers – Boom

Track Drive
Rubber belt tracks
Automatic 2-speed travel
Fully hydrostatic drive system
Sealed and lubricated track rollers
Track tension adjustment – grease type

Upper Structure
Conventional radius tail swing
Standard arm: 5 ft. 3 in (1.6 m)
Bucket linkage with lifting hook
Thumb bracket

Operator Environment
See page 1

Other
Swing boom – 80° left/50° right
Hydraulic backfill blade

Warranty
Base warranty coverage: 2-Year/3,000-Hour
Full Machine Limited Warranty

E57C OPTIONAL EQUIPMENT

Operator Environment
Rearview camera
Travel alarm

Track Options
Tracks:
Steel Tracks 1 ft. 3 in. (380 mm)
Steel Tracks 1 ft. 6 in. (450 mm)
Steel Tracks with bolt on Rubber Pads 1 ft. 4 in. (400 mm)
Roadliner tracks – steel chain with rubber grousers/shoes 1 ft. 4 in. (400 mm)
Rubber Belt Tracks 1 ft. 4 in. (400 mm)
Track guides for steel tracks and steel tracks with bolt on rubber track pads only:
Full
3-piece

Other
Additional counterweight adds 220 lb. (100 kg)
Optional long arm: 6 ft. 3 in. (1.9 m)
Hydraulic quick coupler provision
Hydraulic coupler
Klacc coupler
Mechanical coupler
Hydraulic hammer
Beacon
2nd auxiliary circuit



New Holland Construction Equipment is biodiesel-friendly. NOTE: All engines meet current EPA emissions regulations. All specifications are stated in accordance with SAE Standards or Recommended Practices, where applicable.

Learn more at www.newholland.com

New Holland Construction
500 Diller Ave.
New Holland, PA 17557

www.newholland.com

Design, materials and/or specifications are subject to change without notice and without liability therefor. Specifications are applicable to units sold in Canada, the United States, its territories and possessions, and may vary outside these areas.

© 2021 CNH Industrial America LLC. All rights reserved. New Holland is a trademark in the United States and many other countries, owned by or licensed to CNH Industrial N.V., its subsidiaries or affiliates. Any trademarks referred to herein, in association with goods and/or services of companies other than CNH America LLC, are the property of those respective companies.



Safety begins with a thorough understanding of the equipment. Always make sure you and your operators read the Operator's Manual before using the equipment. Pay close attention to all safety and operating decals and never operate machinery without all shields, protective devices and structures in place. This is a one-person machine. Never allow riders in the cab, outside the machine, or in/on any bucket or attachment.

NHC7130219215 • 0921 • OTP • PRINTED IN U.S.A.