

SKID STEERS LOADERS

L228

L230



PRELIMINARY



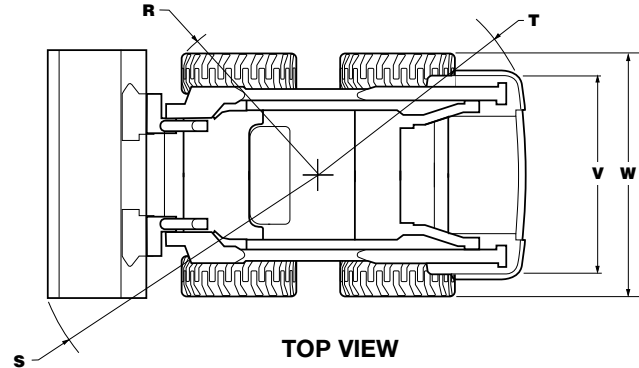
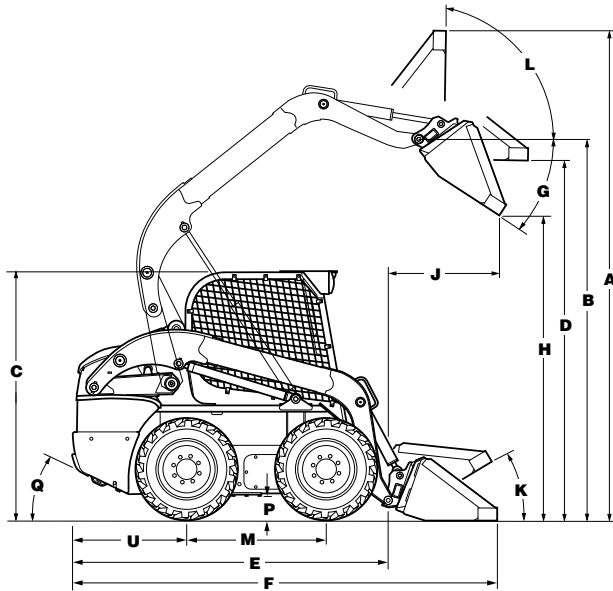
Super Boom® Skid Steer Specifications (preliminary)

STANDARD LOADER CONFIGURATION	L228	L230
SAE Rated Operating Capacity		
50% tip, kg (lb)	1270 (2800)	1360 (3000)
Operating weight , kg (lb)	3740 (8245)	3962 (8735)
Spec tire, size	12 x 16.5	14 X 16.5
Spec bucket, width-profile	72" DF	78" DF
Engine, type	Diesel - Turbo - Direct injection	Diesel - Turbo - Direct injection
Electrical, battery	12 V, 1000 CCA	12 V, 1000 CCA
Alternator	14 V, 120 A	14 V, 160 A
Starter	12 V, 3.2 kW	12 V, 3.2 kW
Lights, front	2X 50 W	2X 50 W
Rear	2X 37.5 W	2X 37.5 W
Audible warnings, horn	105-118 dbA	105-118 dbA
Back up alarm	103-111 dbA	103-111 dbA
Interlock system	Ground drive and loader control	Ground drive and loader control
ROPS, ISO	3471	3471
SAE	J1040	J1040
FOPS (Level 1), ISO	3449	3449
SAE	J1043	J1043
Seat, option pick	Non-suspension, Suspension, Air suspension	Non-suspension, Suspension, Air suspension
Loader type	Vertical lift	Vertical lift
Attachment coupler, option pick	Mechanical or hydraulic	Mechanical or hydraulic
Loader controls, option pick	Mechanical hand or foot - Electro hydraulic H or ISO pattern	
Ground drive controls, option pick	Mechanical H pattern - Electro hydraulic H or ISO pattern	
Auxiliary hydraulics	Variable flow EH control - connect under pressure	
Final drive	Single reduction chain drive	Single reduction chain drive
Chain, ASA	#100	#100
Park Brake, type	Multiple disc - spring applied, hydraulic release	Multiple disc - spring applied, hydraulic release
Engagement	Depress off/on push button on panel, get off seat, or stop engine	

ENGINE SYSTEM PERFORMANCE AND COMPONENTS	L228	L230
Manufacturer	FPT	FPT
Model	F5H FL463A*F001	F5BFL413E*B002
Engine	Diesel - Turbo - Direct injection	
Cylinder number	4	4
Bore/Stroke, mm (in)	99 x 110 (3.9 x 4.3)	
Displacement, L (in³)	3.4 (207)	3.4 (207)
Aspiration	Turbocharged w/ waste gate	
Emissions control	External cooled Exhaust Gas Recirculation (EGR)	
		SCR
		DOC
Engine speeds (RPM), high idle	2500 ± 25 (no load)	
Rated	2500 (full load)	2500 (full load)
Low idle	1150 ± 25	1150 ± 25
Rated power (SAE J1349) @2500 RPM		
kW (HP) gross	55 (74)	67 (90)
kW (HP) net	51 (68)	63 (84)
Peak torque @1400 RPM, N-m (lb ft)	314 (232)	383 (282)
Emissions stage, EPA / EU	Tier 4 final / Stage 4	

FLUID CAPACITIES AND SPECIFICATIONS	L228	L230
Fuel		
Type	#2 Diesel	#2 Diesel
Tank capacity, L (gal)	96.5 (25.5)	96.5 (25.5)
Fuel volume when low fuel indicator activates, L (gal)	9 (2.4)	9 (2.4)
Engine oil		
Type	10W40 CJ-4 Diesel 1L	
Capacity w/ filter, L (qt)	8.5 (8.9)	8.5 (8.9)
Hydraulic oil		
Type	10W30	10W30
Tank capacity, L (gal)	22.7 (6)	22.7 (6)
Capacity w/ filter, L (qt)	45.4 (48)	45.4 (48)
Chaintank oil		
Type	10W30	10W30
Capacity (each), L (qt)	22.2 (23.5)	22.2 (23.5)
Cooling system		
Type	Ethylene Glycol - 50% Mix	ACTIVE OAT Mix
Capacity, L (Qt)	19 (20)	19 (20)
Grease		
Type	#2 or #3 Lithium soap base	
Emissions fluid		
Type	NA	DEF
Tank capacity, L (gal)	NA	10.7 (2.8)
DEF volume when low DEF indicator activates, L (gal)	NA	2.4 (0.6)

Super Boom® Skid Steer Specifications (preliminary)



DIMENSIONS		L228	L230
A.	Overall height w/ DF bucket, mm (in)	4056 (159.7)	4096 (161.3)
A.	Overall height w/ LP bucket, mm (in)	4159 (163.7)	4199 (165.3)
A.	Overall height w/ LPE bucket, mm (in)	4287 (168.8)	4327 (170.4)
B.	Bucket hinge pin, mm (in)	3287 (129.4)	3327 (131)
C.	Top Of ROPS, mm (in)	2002 (78.8)	2042 (80.4)
D.	Bottom of bucket fully raised, mm (in)	3115 (122.6)	3155 (124.2)
E.	Length w/o attachment, mm (in)	2993 (117.8)	3021 (118.9)
F.	Length w/ DF bucket, mm (in)	3631 (142.9)	3659 (144.0)
F.	Length w/ LP bucket, mm (in)	3734 (147)	3762 (148.1)
F.	Length w/ LPE bucket, mm (in)	3863 (152.1)	3891 (153.2)
G.	Dump angle, degree	54.7	54.7
H.	Dump height w/ DF bucket, mm (in)	2615 (102.9) @ 45°	2655 (104.5) @ 45°
H.	Dump height w/ LP bucket, mm (in)	2541 (100) @ 45°	2581 (101.6) @ 45°
H.	Dump height w/ LPE bucket, mm (in)	2451 (96.5) @ 45°	2491 (98) @ 45°
J.	Dump reach w/ DF bucket, mm (in)	821 (32.3) @ 45°	781 (30.7) @ 45°
J.	Dump reach w/ LP bucket, mm (in)	892 (35.1) @ 45°	852 (33.5) @ 45°
J.	Dump reach w/ LPE bucket, mm (in)	985 (38.8) @ 45°	944 (37.1) @ 45°
K.	Max rollback at ground, degree	33.6	32.8
L.	Max rollback fully raised, degree	84.8	84.8
M.	Wheelbase, mm (in)	1322 (52)	1322 (52)
P.	Ground clearance, mm (in)	203 (8)	243 (9.5)
Q.	Angle of departure, degree	23.5	26.5
R.	Clearance circle w/o tool, mm (in)	1428 (56.2)	1428 (56.2)
S.	Clearance circle w/ DF, mm (in)	2039 (80.3) w/72" Bkt	2155 (84.8) w/ 78" Bkt
S.	Clearance circle w/ LP, mm (in)	2210 (87) w/72" Bkt	2246 (88.4) w/ 78" Bkt
S.	Clearance circle w/ LPE, mm (in)	2323 (91.5) w/72" Bkt	2352 (92.6) w/ 78" Bkt
T.	Clearance circle rear, mm (in)	1789 (70.4)	1809 (71.2)
U.	Rear axle to bumper, mm (in)	1034 (40.7)	1069 (42.0)
V.	Tread gage (spec tire), mm (in)	1448 (56.9)	1580 (62.2)
W.	Overall width (spec tire), mm (in)	1768 (69.6)	1930.4 (76)

PERFORMANCE SPECIFICATIONS		L228	L230
Lift capacity to max height, kg (lb)		1270 (2800)	1360 (3000)
Tip breakout force, kN (lb)		38.3 (8620)	38.3 (8620)
Lift breakout force, kN (lb)		27.3 (6030)	28.8 (6350)
Auxiliary hydraulics			
Standard flow		91.5 (24.2)	91.5 (24.2)
High hlow (optional), Lpm (gpm)		142.5 (37.6)	142.5 (37.6)

World Class Products Demand World Class Dealers

The purchase of a New Holland machine is just the beginning of our relationship together. Consider your experienced New Holland Construction equipment dealer as your local partner in productivity. Assistance in selecting the right model for your operation and developing an affordable leasing or financing plan through New Holland's financing division, CNH Industrial Capital, are just a few advantages your local dealer can provide.

Your New Holland dealer's full service capabilities bring you responsive support with genuine New Holland parts and all makes coverage. More importantly, we are there wherever and whenever you need us with our fully equipped service vehicles. From customized maintenance programs to professional operator and technical training, our factory-trained service and parts experts are there to assist you with any of your equipment support needs.

Your business deserves nothing less than world class product, supported by a world class business partner. That's your New Holland Construction Equipment dealer — your partner in productivity.



New Holland Construction
500 Diller Ave.
New Holland, PA 17557

www.newholland.com

New Holland Construction Equipment is backed with a Limited Warranty for 1-Year/Unlimited Hours. See the Warranty and Limitation of Liability for warranty details and terms.


Design, materials and/or specifications are subject to change without notice and without liability therefor. Specifications are applicable to units sold in Canada, the United States, its territories and possessions, and may vary outside these areas.

© 2015 CNH Industrial America LLC. All rights reserved. New Holland is a trademark in the United States and many other countries, owned by or licensed to CNH Industrial N.V., its subsidiaries or affiliates. Any trademarks referred to herein, in association with goods and/or services of companies other than CNH America LLC, are the property of those respective companies.



Safety begins with a thorough understanding of the equipment. Always make sure you and your operators read the Operator's Manual before using the equipment. Pay close attention to all safety and operating decals and never operate machinery without all shields, protective devices and structures in place. This is a one-person machine. Never allow riders in the cab, outside the machine, or in/on any bucket or attachment.

NHC2014SSLSpecs • 0115 • PRINTED IN U.S.A.

 Printed on recycled paper