

ML12 T

TELESCOPIC REACH SMALL ARTICULATED LOADER



OPERATING WEIGHT	
Open cab	2,646 lb. (1200 kg)
Enclosed cab	—

OVERALL DIMENSIONS	
Overall height	81.1 in. (2060 mm)
Overall length:	
Without bucket	89.2 in. (2265 mm)
Machine width	36.2 in. (920 mm)

LOADER PERFORMANCE SPECS	
Lifting height	111.0 in. (2820 mm)
Tipping load (ISO) – Straight	See graph page 2
Lifting capacity	See graph page 2

ELECTRICAL	
System voltage	12 volts
Alternator	40 amp
Battery	52 AHR 520 cold-cranking amps

— Not available.

ENGINE	
Model	Kubota D902
Emissions certification	Tier 4 Final Certified
Cylinders	3
Displacement	54.8 in. ³ (0.898 L)
Fuel	Diesel
Exhaust aftertreatment	—
Engine speeds	RPM
Rated – full load	3,600
Horsepower @ 3,600 RPM – SAE J1349:	
Gross	25 hp (18.5 kW)
Peak torque @ 2,600 RPM	41.4 lb-ft (56.1 N·m)

DRIVETRAIN	
Transmission type	Hydrostatic
Differential type	Hydraulic controlled
Parking brake:	Hydraulic multidisk
Type	brake
Max. travel speed	9.3 mph (15 kph)

HYDRAULICS	
Control valve type	Open center
Pump type	Fixed gear
Driving hydraulics:	
Flow rate	17.2 gpm (65 L/min)
Operating pressure	5,100 psi (350 bar)
Working Hydraulics:	
Total flow rate	7.4 gpm (28 L/min)
Operating pressure	2,200 psi (150 bar)
Auxiliary 1:	
Max. flow rate	7.4 gpm (28 L/min)
Pressure	2,200 psi (150 bar)
Auxiliary 2 — optional:	
Max. flow rate	7.4 gpm (28 L/min)
Pressure	2,200 psi (150 bar)
Continuous flow — optional:	
Max. flow rate	10.3 gpm (39 L/min)
Pressure	2,200 psi (150 bar)

SERVICE CAPACITIES	
Fuel tank	11.9 gal. (45 L)
Engine oil w/ filter	2.6 qt. (2.5 L)
Hydraulic system	13.7 gal. (52 L)
Engine coolant	1.1 gal. (4.35 L)

Standard Equipment

Operator Environment

- ROPS/FOPS safety roof
- Safety entry bar
- Key start
- Non-suspension vinyl seat
- Armrests
- Retractable seat belt
- Exterior mirrors

Engine

- Glow plug starting aid
- Engine block heater
- Locking fuel cap

Drivetrain

- Hydrostatic 4-wheel drive
- FNR control on joystick
- Electro-hydraulic controlled, manually activated differential
- Hydraulic parking brake

Hydraulics

- Extension/retraction of lift arm controlled by lever or joystick
- 3-spool main control valve
- 1x dual acting auxiliary hydraulics
- Attachment case drain return
- Loader arm float
- Hydraulic self-level function
- Oil cooler

Loader

- Telescopic reach loader arm
- Loader lift arm support strut
- CII mechanical attachment coupler
- Additional counterweights

Electrical

- 12 volt system
- 52 AHR, 520 CCA battery
- 40 A alternator
- 2 front cab work lights
- Remote jumpstart provision

Other Standard Features

- Tow coupling
- Lifting eyes
- Backup alarm
- Horn

Warranty

- Base warranty coverage: 2-Year/1,000-Hour Full Machine Limited Warranty

Optional Equipment

Engine

- Hand throttle

Drivetrain

- Hand inching creep control

Hydraulics

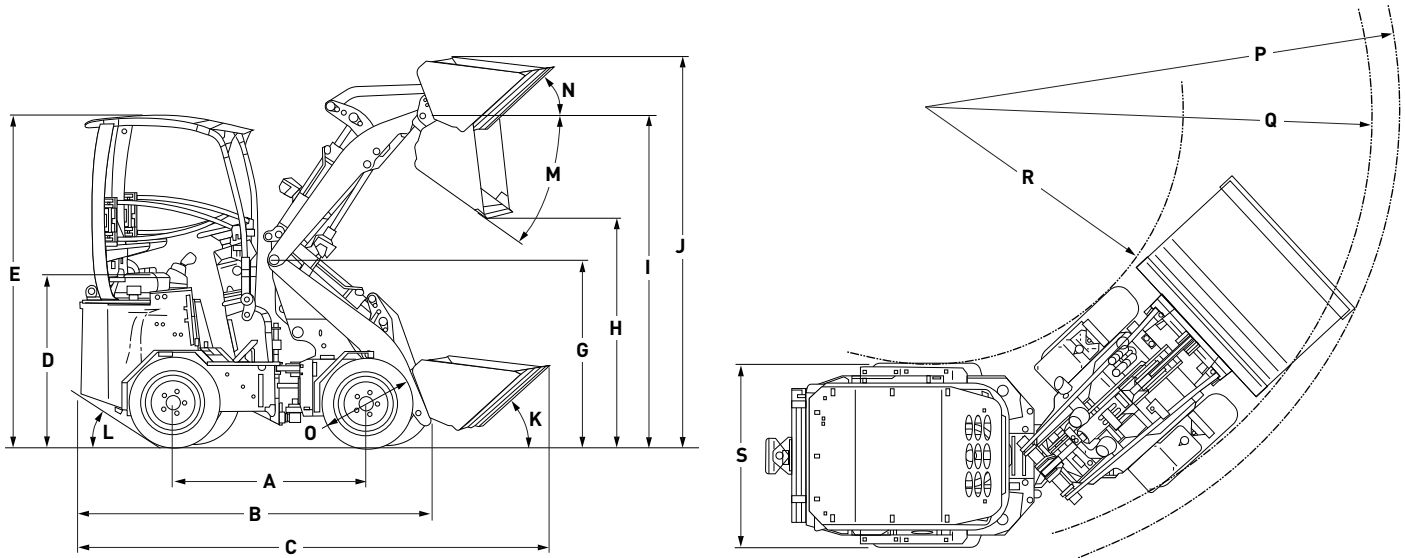
- 2x dual acting auxiliary hydraulics
- Auxiliary hydraulic hold function
- Continuous flow auxiliary hydraulics
- Hydraulic boom suspension (ride control)

Electrical

- 1 boom worklight
- 2 cab rear work lights
- 3-pin electrical auxiliary connection
- Rotating beacon light

Other

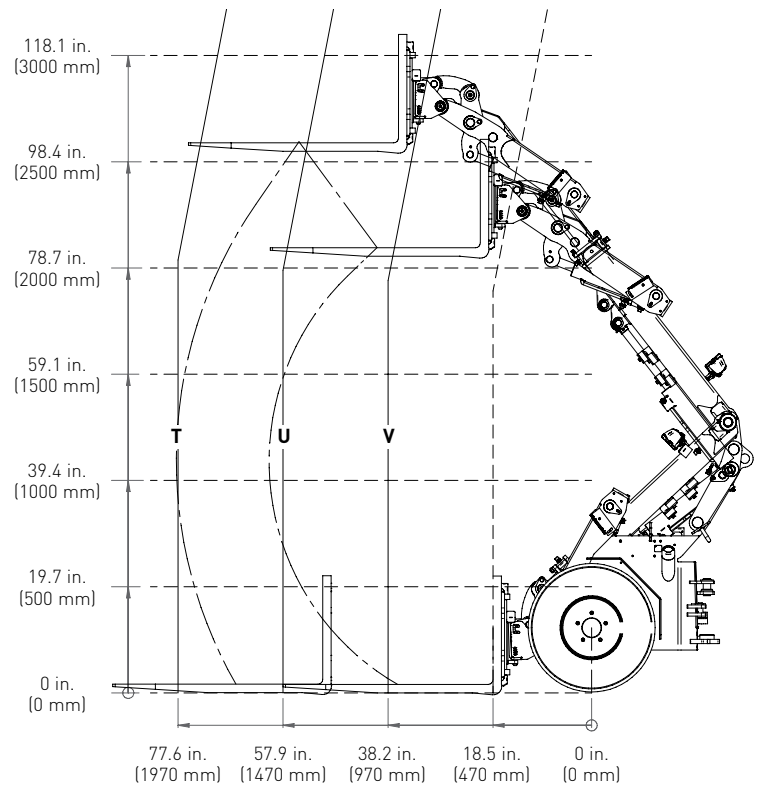
- English, Spanish, or French operator manual
- Groundskeeper tool carrying kit



DIMENSIONS

A	Wheelbase	49.1 in. (1247 mm)
B	Total length	89.2 in. (2265)
C	Length with bucket	115.2 in. (2927 mm)
D	Seat height	40.2 in. (1020 mm)
E	Max. height with safety roof	81.1 in. (2060 mm)
F	Max. height with cabin	—
G	Height front frame	51.6 in. (1310 mm)
H	Max. dumping height	81.1 in. (2060 mm)
I	Lifting height	107.9 in. (2740 mm)
J	Height with bucket	129.9 in. (3300 mm)
K	Rollback angle on the ground	43°
L	Rollback angle at max. lift height	50°
M	Max. dumping angle	40°
N	Max. loading angle	34°
O	Outer size of tires	22.4 in. (570 mm)
P	Maximum radius external	87.6 in. (2225 mm)
Q	Turning radius on outer edge	77.4 in. (1967 mm)
R	Inner turning radius	38.5 in. (978 mm)
S	Width on standard tires	36.2 in. (920)

— Not available.



TIPPING LOAD PATHS

T	440 lb. (200 kg)
U	1,010 lb. (460 kg)
V	1,650 lb. (750 kg)

Line drawings are for illustrative purpose only and may not be exact representation of unit.



New Holland Construction
 500 Diller Ave.
 New Holland, PA 17557

Learn more at www.newholland.com



Design, materials and/or specifications are subject to change without notice and without liability therefor. Specifications are applicable to units sold in Canada, the United States, its territories and possessions, and may vary outside these areas.

© 2023 CNH Industrial America LLC. All rights reserved. New Holland is a trademark registered in the United States and many other countries, owned by or licensed to CNH Industrial N.V., its subsidiaries or affiliates. Any trademarks referred to herein, in association with goods and/or services of companies, other than owned by or licensed to CNH Industrial N.V., its subsidiaries or affiliates, are the property of those respective companies.



Safety begins with a thorough understanding of the equipment. Always make sure you and your operators read the Operator's Manual before using the equipment. Pay close attention to all safety and operating decals and never operate machinery without all shields, protective devices and structures in place.

NHC7130238302 • 0923 • OTP • PRINTED IN U.S.A.