

ML50 T

TELESCOPIC REACH SMALL ARTICULATED LOADER



| OPERATING WEIGHT | |
|------------------|---------------------|
| Open cab | 11,464 lb (5200 kg) |

| OVERALL DIMENSIONS | |
|--------------------|--------------------|
| Overall height | 99.3 in (2523 mm) |
| Overall length: | |
| Without bucket | 209.1 in (5310 mm) |
| Machine width | 57.5 in (1460 mm) |

| LOADER PERFORMANCE SPECS | |
|-------------------------------|--------------------|
| Lifting height | 171.3 in (4350 mm) |
| Tipping load (ISO) – Straight | See graph page 2 |
| Lifting capacity | See graph page 2 |

| ELECTRICAL | |
|----------------|--|
| System voltage | 12 volts |
| Alternator | 60 amp |
| Battery | 120 AHR 1,000 cold-cranking amps |

| ENGINE | |
|-------------------------------------|-------------------------|
| Model | Kubota V3307 CR |
| Emissions certification | Tier 4 Final/Stage V |
| Cylinders | 4 |
| Displacement | 203.3 in3 (3.331 L) |
| Fuel | Diesel |
| Exhaust aftertreatment | DOC + DPF |
| Engine speeds | RPM |
| Rated – full load | 2,600 |
| Horsepower @ 2,600 RPM – SAE J1349: | |
| Gross | 74 hp (55.4 kW) |
| Peak torque @ 1,500 RPM | 195.4 lb-ft (265.0 N-m) |

| DRIVETRAIN | |
|--------------------|-------------------------------------|
| Transmission type | Hydrostatic, 2+2 speed |
| Differential type | Open Center w/ Differential Lock |
| Parking brake: | |
| Type | Hydraulic multidisc SAHR |
| Max. travel speed | |
| Turtle – Low Gear | 4.2 mph (6.7 kph) |
| Rabbit – Low Gear | 18.6 mph (30 kph) |
| Turtle – High Gear | 8.1 mph (13.1 kph) |
| Rabbit – High Gear | 21.6 mph (34.7 kph) |

| HYDRAULICS | |
|-----------------------------|----------------------|
| Control valve type | Open center |
| Pump type | Fixed gear |
| Driving hydraulics: | |
| Flow rate | 38.3 gpm (145 L/min) |
| Operating pressure | 7,000 psi (480 bar) |
| Working Hydraulics: | |
| Total flow rate | 20.6 gpm (78 L/min) |
| Operating pressure | 3,600 psi (250 bar) |
| Auxiliary 1: | |
| Max. flow rate | 20.6 gpm (78 L/min) |
| Pressure | 3,600 psi (250 bar) |
| Auxiliary 2 — optional: | |
| Max. flow rate | 20.6 gpm (78 L/min) |
| Pressure | 3,600 psi (250 bar) |
| Continuous flow — optional: | |
| Max. flow rate | 35.7 gpm (135 L/min) |
| Pressure | 3,600 psi (250 bar) |

| SERVICE CAPACITIES | |
|----------------------|-------------------|
| Fuel tank | 20.3 gal (77 L) |
| Engine oil w/ filter | 11.9 qt (11.3 L) |
| Hydraulic system | 21.1 gal (80 L) |
| Engine coolant | 3.3 gal (12.35 L) |

Standard Equipment

Operator Environment

- ROPS/FOPS safety roof
- Safety entry bar
- Key start
- Air suspension vinyl seat
- Armrests
- Retractable seat belt
- Exterior mirrors

Engine

- Diesel oxygen catalyst
- Diesel particulate filter
- Glow plug starting aid
- Engine block heater
- Locking fuel cap
- Cyclone air filter

Drivetrain

- Hydrostatic 4-wheel drive
- FNR control on joystick
- Electrical differential lock axles
- Multidisc brake SAHR

Hydraulics

- 3-spool main control valve
- 1x dual acting auxiliary hydraulics
- Attachment case drain return
- Hydraulic self-level function
- Hose rupture protection on lift cylinder
- Oil cooler

Loader

- Telescopic reach loader arm
- Loader lift arm support strut
- SSL compatible attachment coupler, hydraulic powered
- Additional counterweights

Electrical

- 12 volt system
- 120 AHR, 1,000 CCA battery
- 60 A alternator
- 1 boom worklight
- 2 front cab work lights
- 2 rear cab work lights
- Anti-theft protection with access code
- Battery disconnect switch

Other Standard Features

- Recovery Hook
- Backup alarm
- Horn
- Fleet Force Telematics with 5-Year Advanced Connectivity

Warranty

- Base warranty coverage: 2-Year/1,000-Hour Full Machine Limited Warranty

Optional Equipment

Operator Environment

- Enclosed cab with HVAC

Engine

- Hand throttle

Drivetrain

- Pro inching creep control
- Oscillation lock-out

Hydraulics

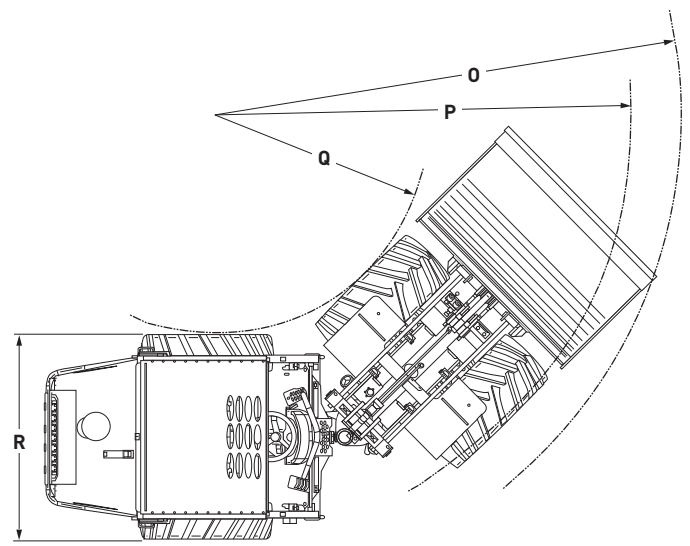
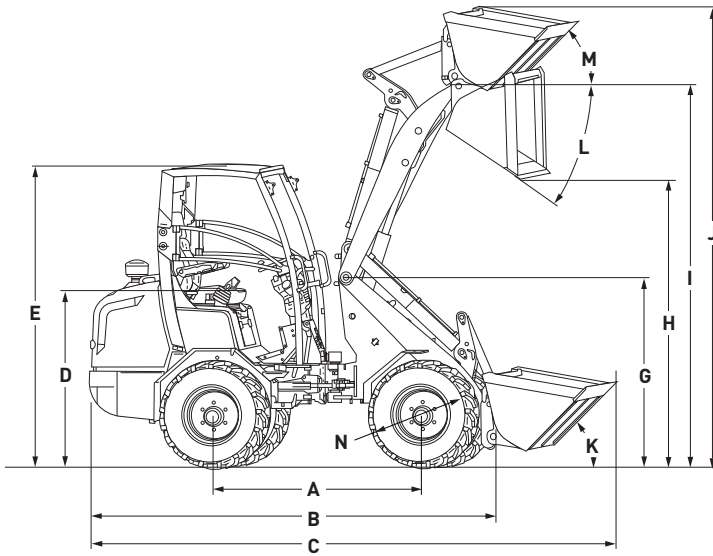
- 2x dual acting auxiliary hydraulics
- Auxiliary hydraulics detent hold function
- High flow auxiliary hydraulics
- Hydraulic boom suspension (ride control)

Electrical

- Road Lights / Turn Signals
- 2 Boom Work Lights
- 14-pin electrical auxiliary connection
- Rotating beacon light
- Strobe light

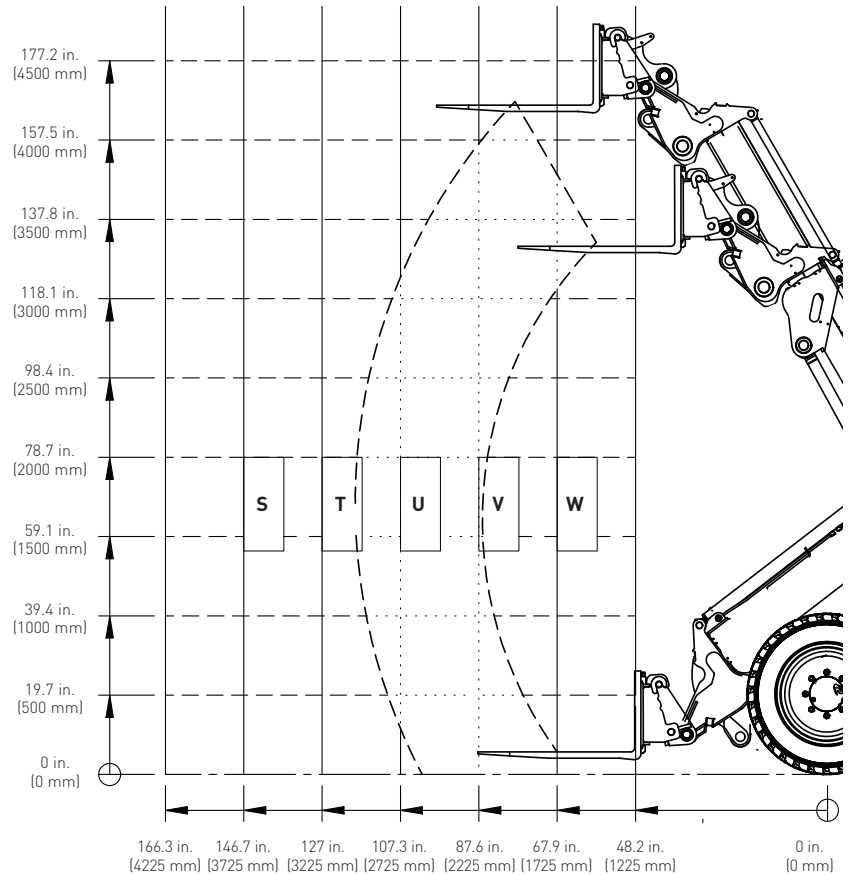
Other

- English, Spanish, or French operator manual



DIMENSIONS

| | | |
|----------|------------------------------|--------------------|
| A | Wheelbase | 80.5 in (2044 mm) |
| B | Total length | 175.4 in (4454 mm) |
| C | Length with bucket | 209.1 in (5310 mm) |
| D | Seat height | 63.0 in (1600 mm) |
| E | Max. height with safety roof | 99.3 in (2523 mm) |
| F | Max. height with cabin | 99.3 in (2523 mm) |
| G | Height front frame | 75.0 in (1906 mm) |
| H | Max. dumping height | 133.9 in (3400 mm) |
| I | Lifting height | 171.3 in (4350 mm) |
| J | Height with bucket | 200.8 in (5100 mm) |
| K | Rollback angle on the ground | 41° |
| L | Max. dumping angle | 41° |
| M | Max. loading angle | 29° |
| N | Outer size of tires | 41.3 in (1050 mm) |
| O | Maximum radius external | 147.2 in (3738 mm) |
| P | Turning radius on outer edge | 125.6 in (3190 mm) |
| Q | Inner turning radius | 68.7 in (1745 mm) |
| R | Width on standard tires | 57.5 in (1460 mm) |



Line drawings are for illustrative purpose only and may not be exact representation of unit.

TIPPING LOAD PATHS

| | |
|----------|--------------------|
| S | 2,780 lb (1260 kg) |
| T | 3,240 lb (1470 kg) |
| U | 3,940 lb (1785 kg) |
| V | 4,820 lb (2185 kg) |
| W | 6,170 lb (2800 kg) |



New Holland Construction
500 Diller Ave.
New Holland, PA 17557

Learn more at www.newholland.com



Design, materials and/or specifications are subject to change without notice and without liability therefor. Specifications are applicable to units sold in Canada, the United States, its territories and possessions, and may vary outside these areas.

© 2023 CNH Industrial America LLC. All rights reserved. New Holland is a trademark registered in the United States and many other countries, owned by or licensed to CNH Industrial N.V., its subsidiaries or affiliates. Any trademarks referred to herein, in association with goods and/or services of companies, other than owned by or licensed to CNH Industrial N.V., its subsidiaries or affiliates, are the property of those respective companies.



Safety begins with a thorough understanding of the equipment. Always make sure you and your operators read the Operator's Manual before using the equipment. Pay close attention to all safety and operating decals and never operate machinery without all shields, protective devices and structures in place.